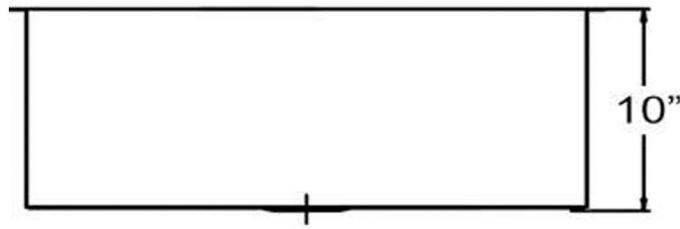
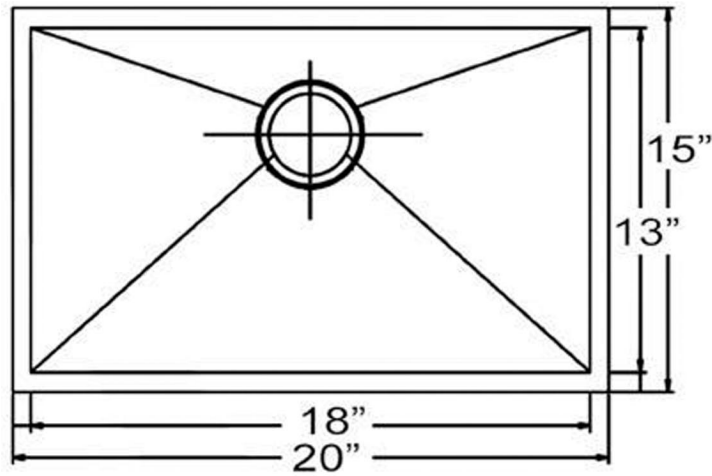


WHNCM2015



LIVE WITH STYLE!