

This faucet complies with NSF61/9, ASME/ANSI A112.18.1 and CSA B 125 Standards.  
Este grifo se encuentra conforme con los estándares de NSF61/9, de ASME/ANSI A112.18.1 y de CSA B 125.

Installation Instructions • Instrucciones de Instalación

**Dear Customer**

Thank you for selecting our product. We are confident we can fully satisfy your expectations by offering you a wide range of technologically advanced products which directly result from our many years of experience in faucet and fitting production.

**ENGLISH**

**Estimado Cliente**

Muchas gracias por elegir nuestro producto. Estamos seguros que podemos satisfacer completamente sus expectativas ofreciéndole una amplia variedad de productos tecnológicamente avanzados que resultan directamente de muchos años de experiencia en grifos y su producción apropiada.

**ESPAÑOL**

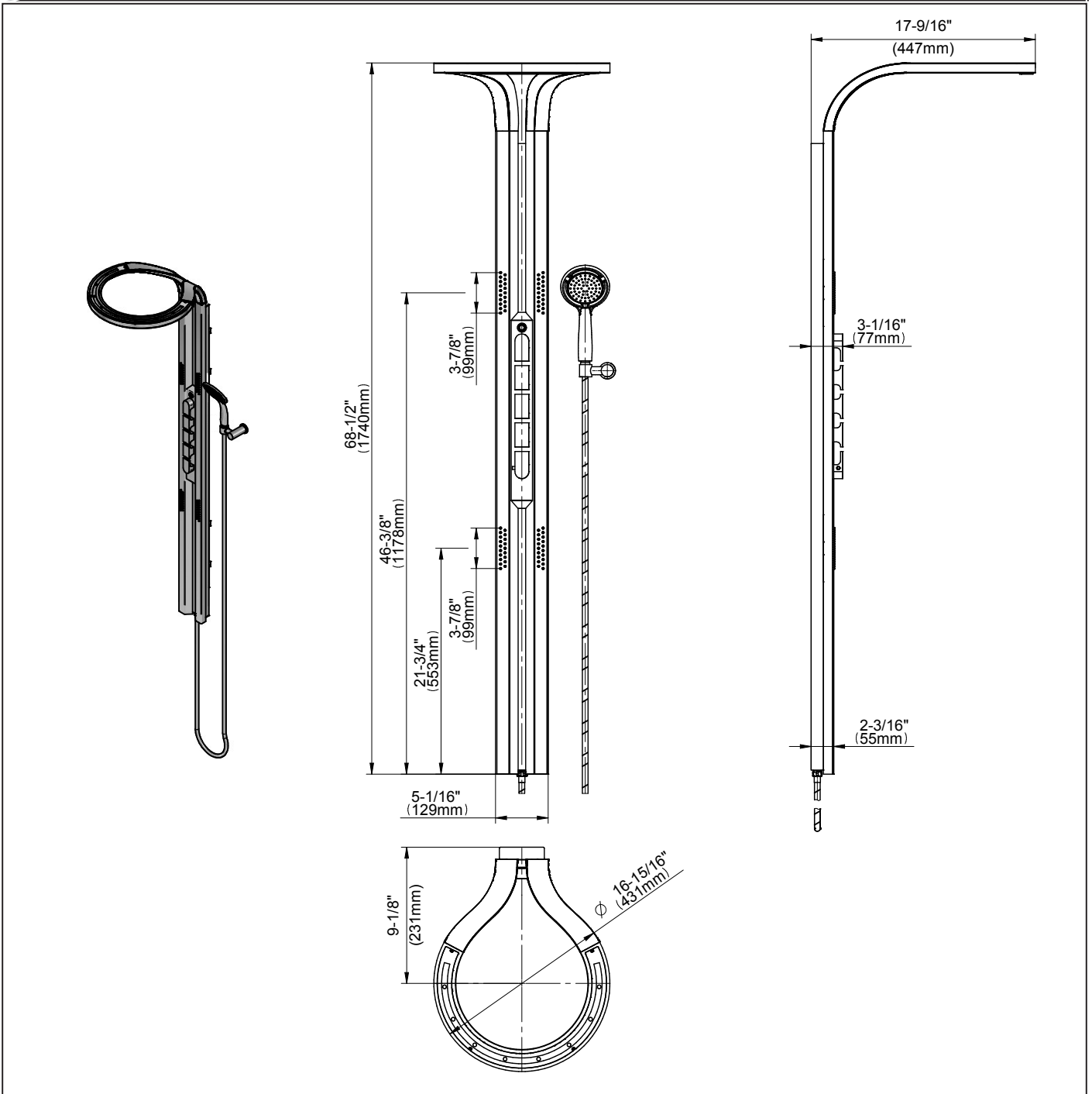
**ATTENTION!**

For care, use soft towel with soap and water only! Under no circumstances should you use any chemicals.

**ATENCIÓN!**

Para el cuidado, utilice solamente una toalla suave con jabón y agua! Bajo ninguna circunstancia no use productos químicos.

Modelo **AMETIS G - -**



**For assembly you will need:**

- an adjustable spanner,
- pliers,
- teflon tape.

**ENGLISH**

**Para el montaje se necesitan:**

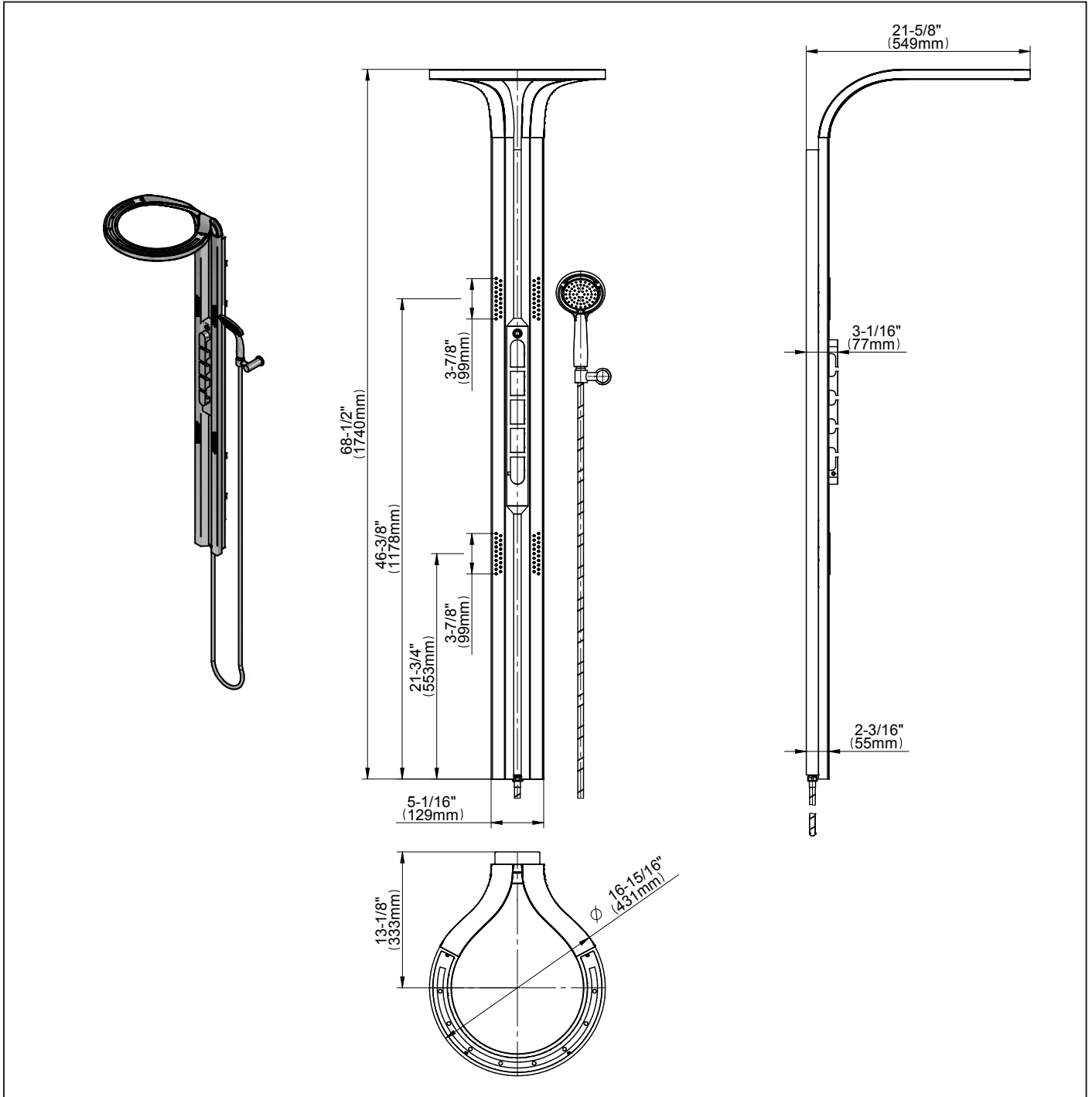
- llave ajustable,
- alicates universales,
- cinta de teflón.

**ESPAÑOL**

This faucet complies with NSF61/9, ASME/ANSI A112.18.1 and CSA B 125 Standards.  
Este grifo se encuentra conforme con los estándares de NSF61/9, de ASME/ANSI A112.18.1 y de CSA B 125.

Installation Instructions • Instrucciones de Instalación

Modelo **AMETIS G** - -



See fig. 1

**ENGLISH**

Ver dis. 1

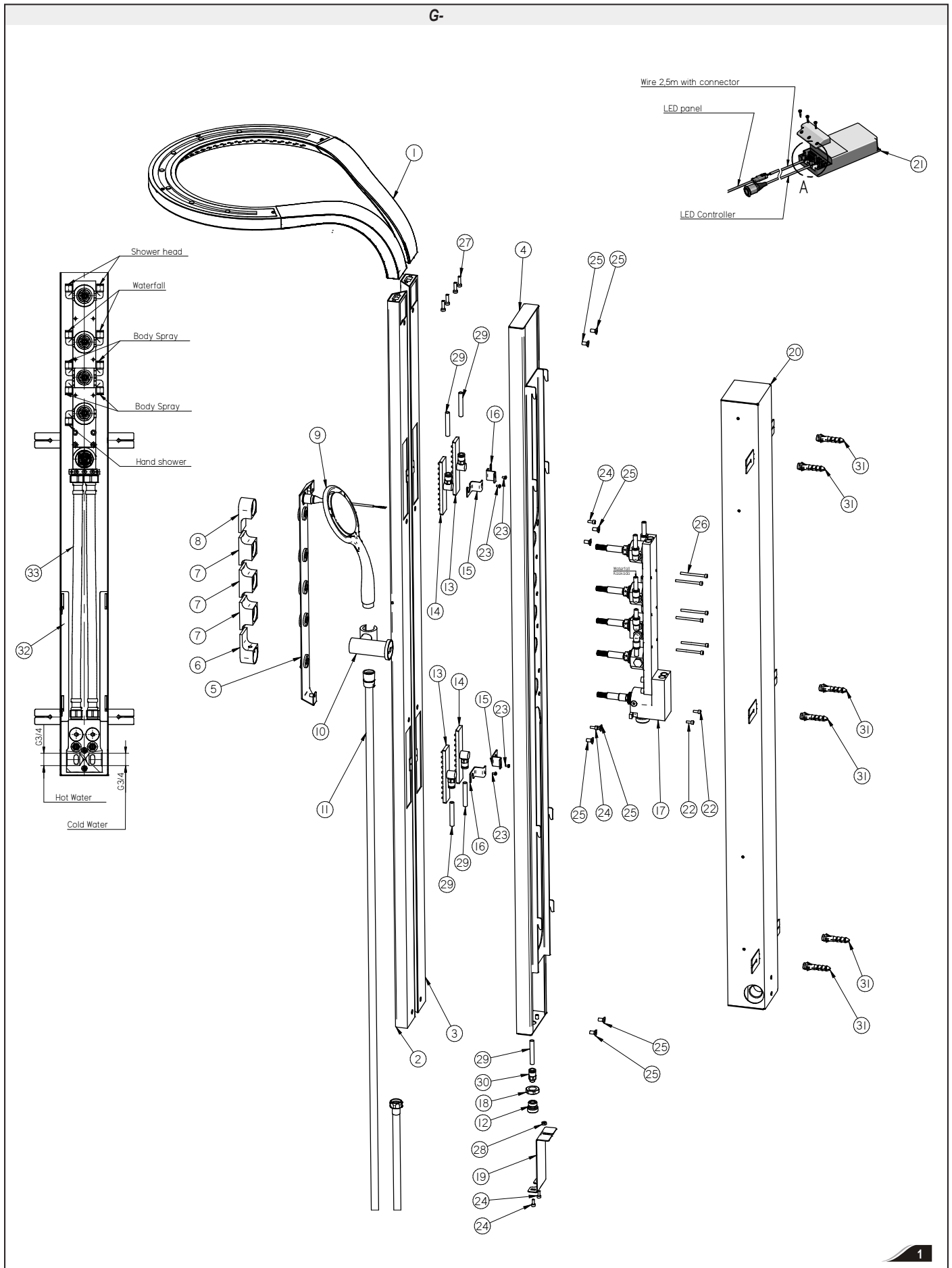
**ESPAÑOL**

1	Shower head complete
2	Leg right
3	Leg left
4	Shower frame
5	Control panel plate
6	Thermostatic valve handle
7	Cut-off valve handle
8	Cut-off valve handle
9	Hand Shower
10	Wall bracket hand shower
11	Hose G1/2-1500
12	Hose connection
13	Body spray
14	Body spray
15	Hold fast

1	
2	
3	
4	
5	
6	
7	
8	
9	
10	
11	
12	
13	
14	
15	

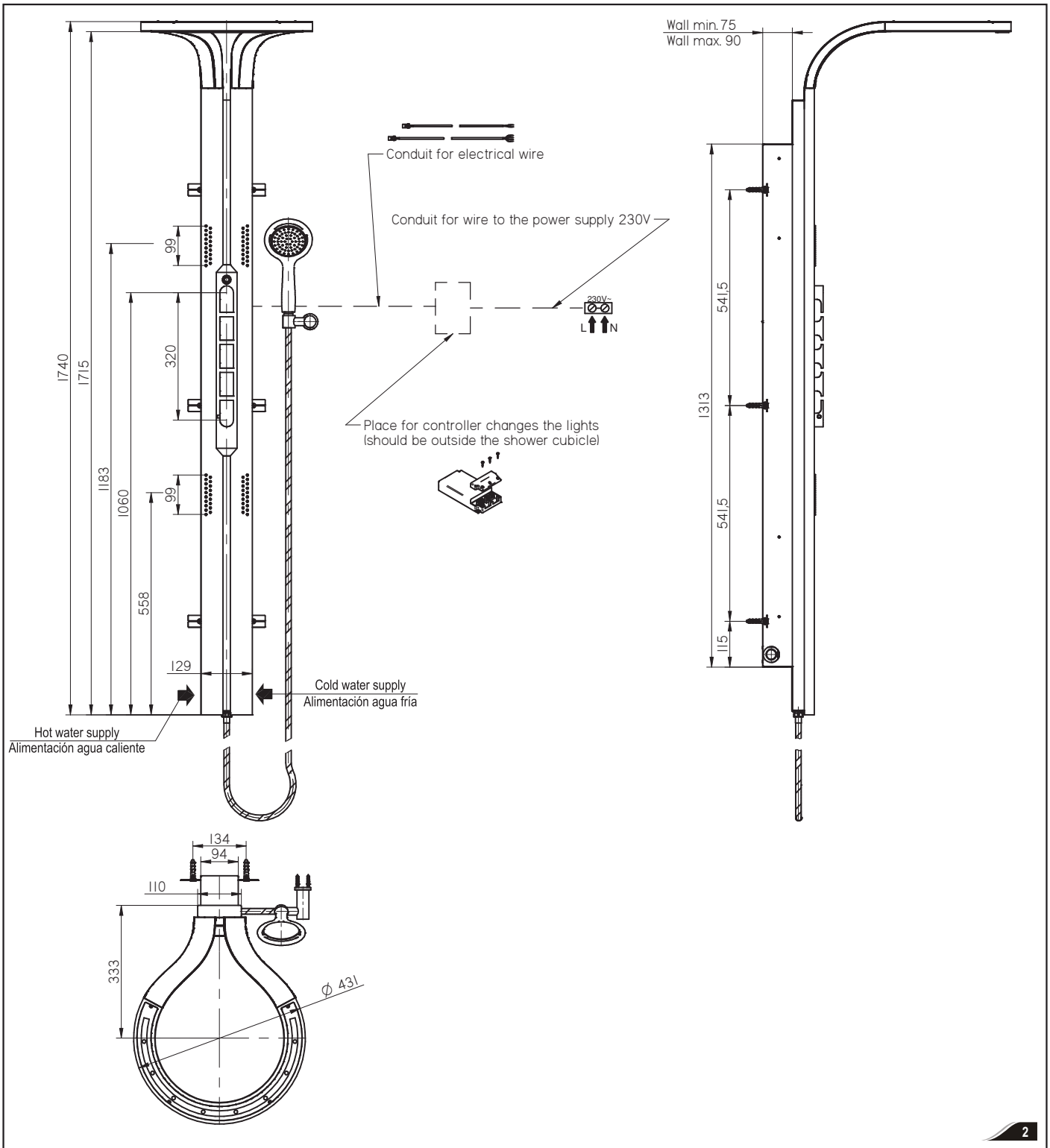
This faucet complies with NSF61/9, ASME/ANSI A112.18.1 and CSA B 125 Standards.  
Este grifo se encuentra conforme con los estándares de NSF61/9, de ASME/ANSI A112.18.1 y de CSA B 125.

Installation Instructions • Instrucciones de Instalación



This faucet complies with NSF61/9, ASME/ANSI A112.18.1 and CSA B 125 Standards.  
Este grifo se encuentra conforme con los estándares de NSF61/9, de ASME/ANSI A112.18.1 y de CSA B 125.

**Installation Instructions • Instrucciones de Instalación**



16	Hold fast
17	Thermostatic valve with collector
18	Nut
19	Safety lock
20	Rough
21	Control box
22	Screw M4x10
23	Screw M3x5
24	Screw M4x10
25	Screw M6x12
26	Screw M4x50
27	Screw M5x16
28	Nut M5

16	
17	
18	
19	
20	
21	
22	
23	
24	
25	
26	
27	
28	

This faucet complies with NSF61/9, ASME/ANSI A112.18.1 and CSA B 125 Standards.  
Este grifo se encuentra conforme con los estándares de NSF61/9, de ASME/ANSI A112.18.1 y de CSA B 125.

Installation Instructions • Instrucciones de Instalación

29	Pipe 8x1x1200
30	Male stud fitting G1/8 fi8
31	Expansion bolt and screw
32	Holder
33	Hoses
K1	2.5mm hex key

29	
30	
31	
32	
33	
K1	

**INSTALLATION • INSTALACIÓN**

**1**

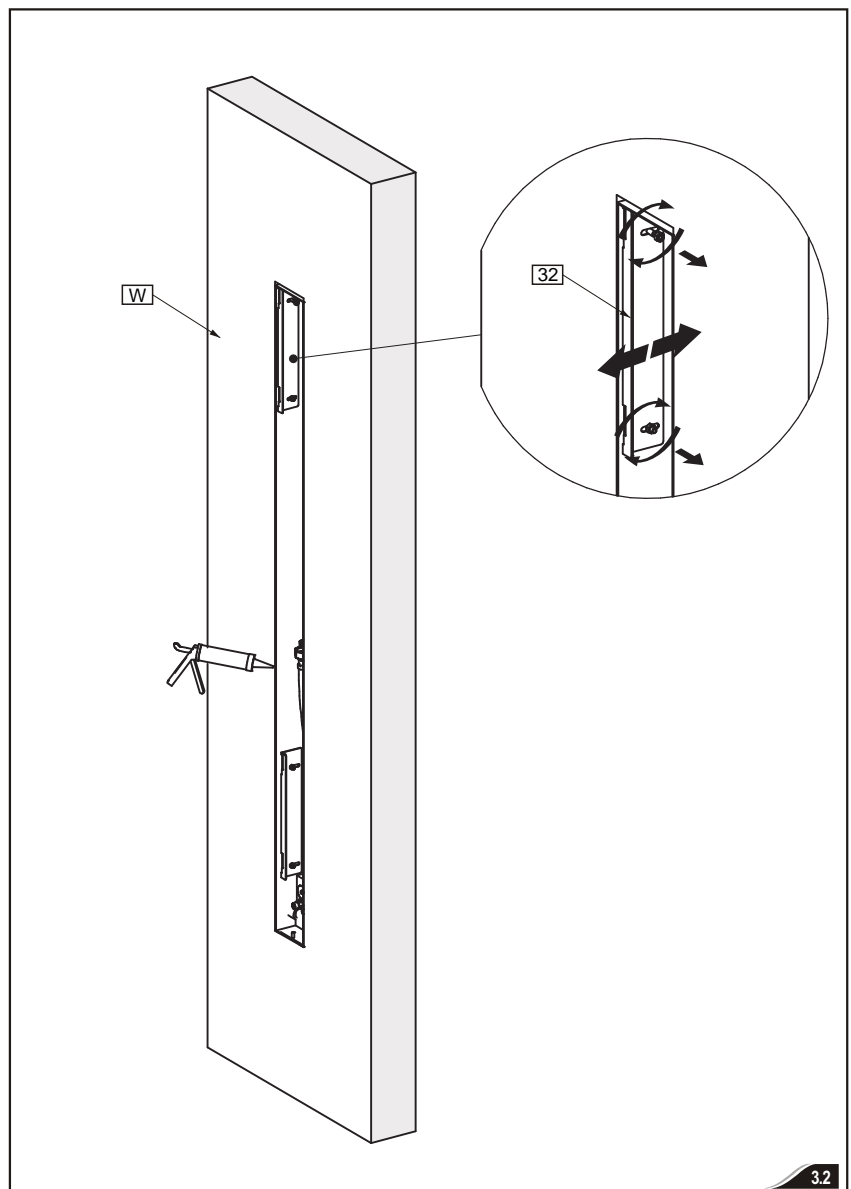
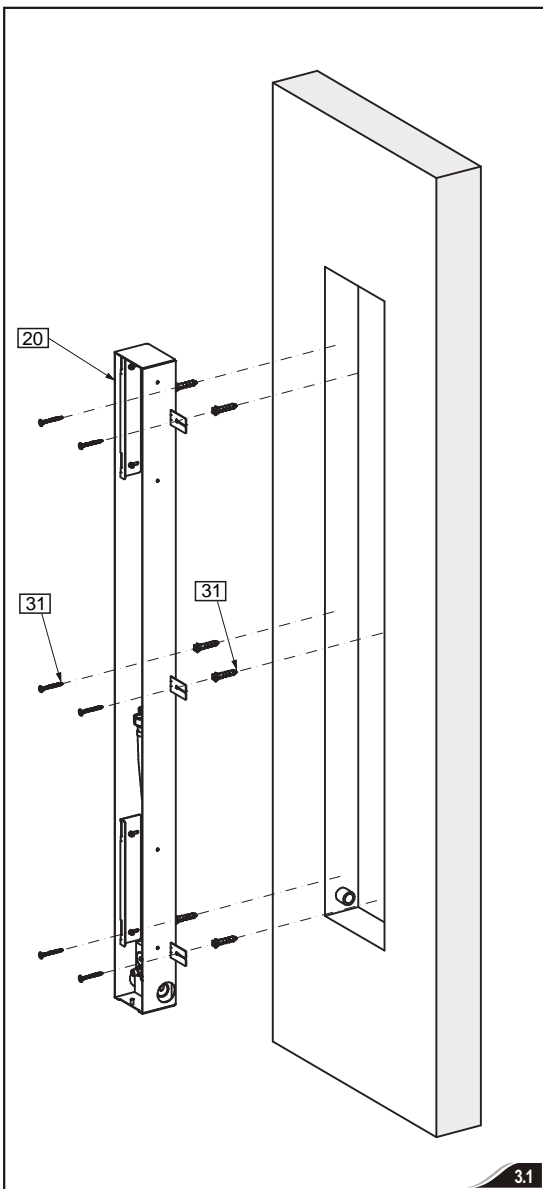
**ENGLISH**

**ESPAÑOL**

INSTALLATION OF SHOWER CUBICLE – see fig. 3.

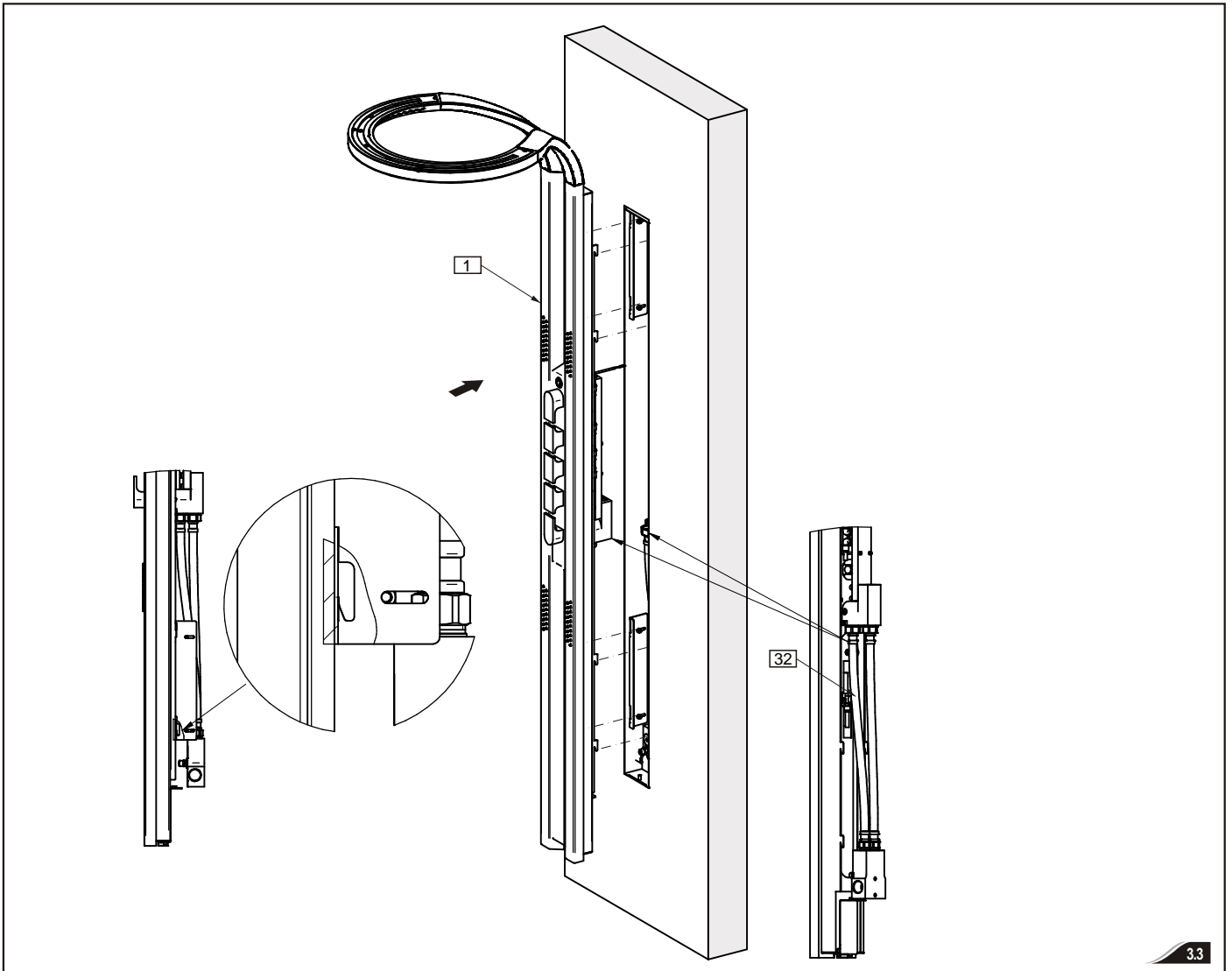
– ver el dis. 3.

1. Close the water supply to the sections of supply system.
2. Route the supply system (hot and cold water) close to vicinity of the place, where shower column installation is planned. Arrange the pipes so that the hot water feed is located on the LH side of the column, while the cold water feed on the RH side (ref. to figure 1). Prepare fittings commonly used in plumbing practice (e.g. couplings, elbows) and PTFE (Teflon) tape.
3. Prepare a recess in the wall, of dimensions enabling proper placement of shower column concealed component (20) and connection to the system.
4. Prepare a recess in the wall of dimensions enabling placement of the control for the LED panel (21) CAUTION: **The recess should be located outside the shower cubicle!!!** (ref. to figure 2).
5. Prepare „chasing”, enabling routing of wires from shower column to LED control, and from the LED control to power supply source (230V) (ref. to figure 2).
6. Place the concealed component (20) within the recess in the wall (figure 3.1). The outer surface of finishing wall (W) should fall within MIN-75 mm + MAX-90 mm range, determined by the box of concealed component (20) according to figure (2).
7. Fill with silicone the gap between the box of concealed component (20) and tiles, in order to make it tight (figure 3.2).

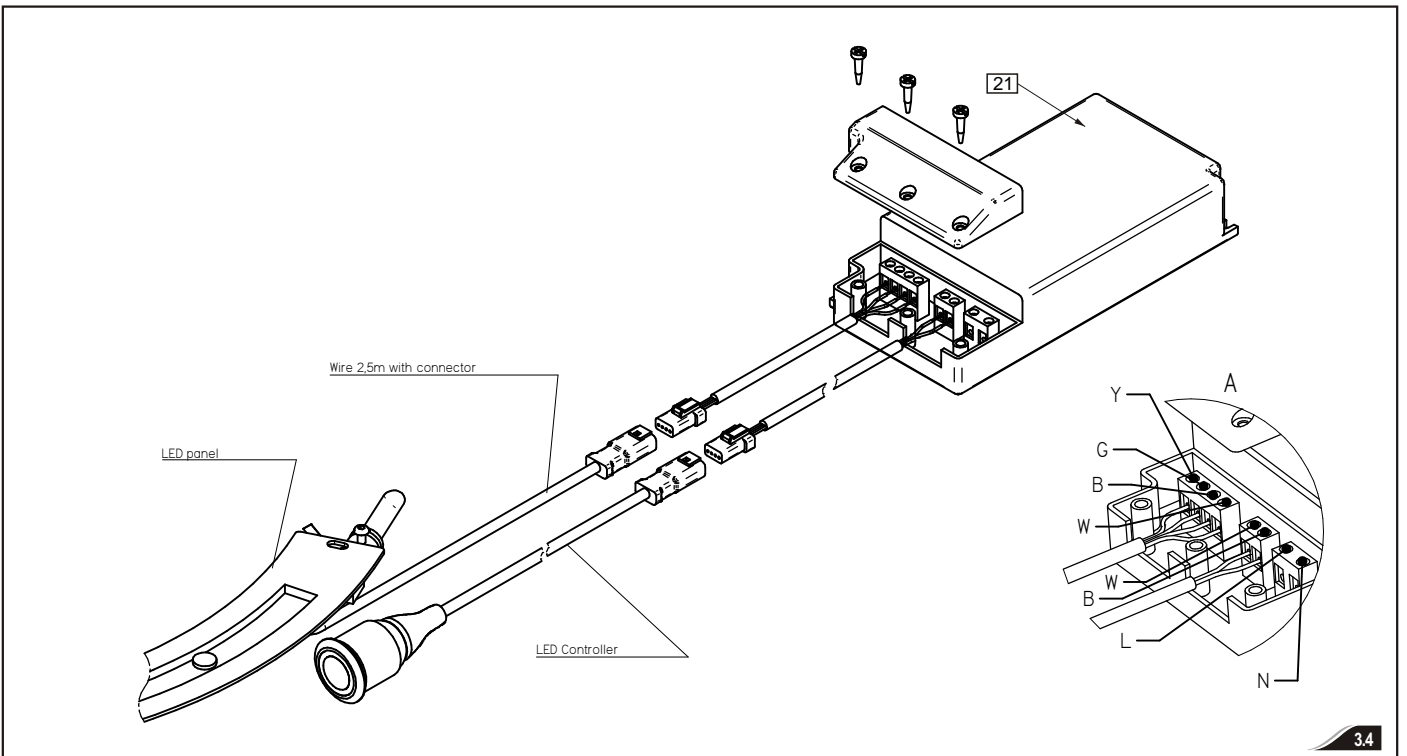


This faucet complies with NSF61/9, ASME/ANSI A112.18.1 and CSA B 125 Standards.  
Este grifo se encuentra conforme con los estándares de NSF61/9, de ASME/ANSI A112.18.1 y de CSA B 125.

Installation Instructions • Instrucciones de Instalación



3.3

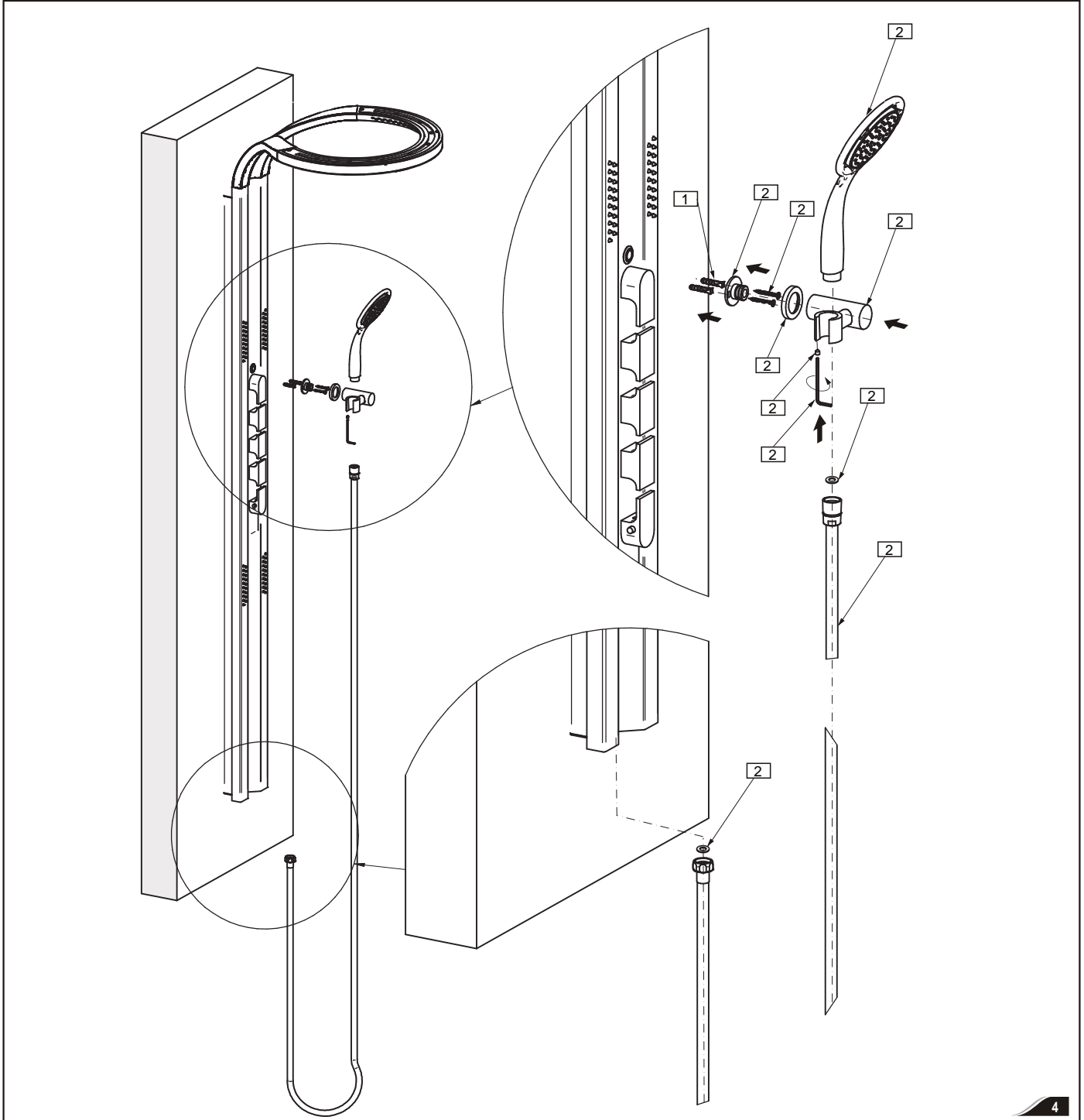


3.4

This faucet complies with NSF61/9, ASME/ANSI A112.18.1 and CSA B 125 Standards.  
Este grifo se encuentra conforme con los estándares de NSF61/9, de ASME/ANSI A112.18.1 y de CSA B 125.

**Installation Instructions • Instrucciones de Instalación**

8. Adjust the handles (32) (figure 3.2) if necessary.
9. Connect the hoses (32) to the shower panel (1) (figure 3.3).
10. Connect the leads to the LED control (21). Next, connect the other ends of the leads with the leads in the panel (1) (figure 3.4).
11. Carefully hang the whole shower panel (1) on brackets (32) (figure 3.3).



**INSTALLATION • INSTALACIÓN**

**1**

**ENGLISH**

**ESPAÑOL**

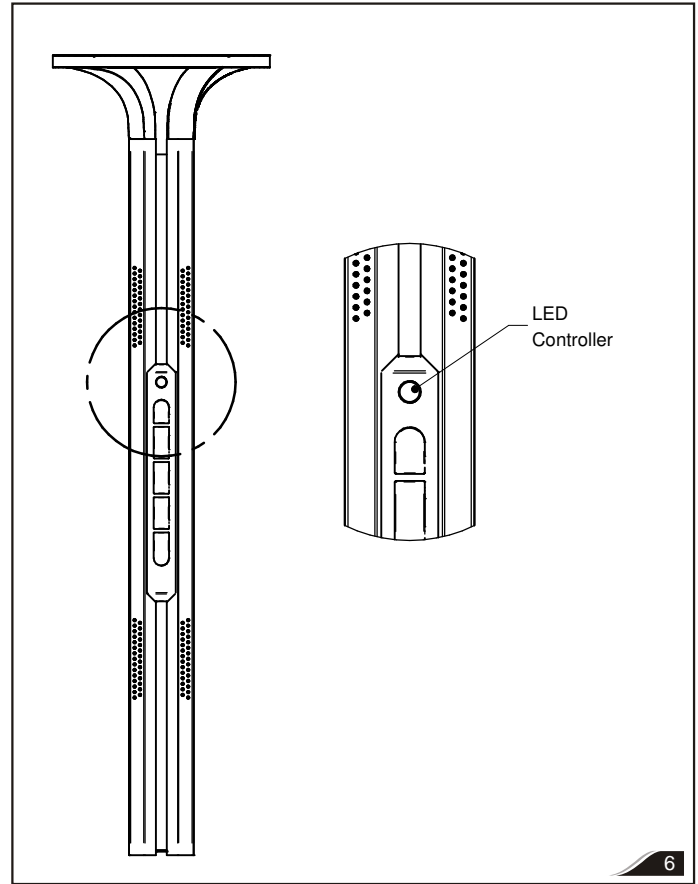
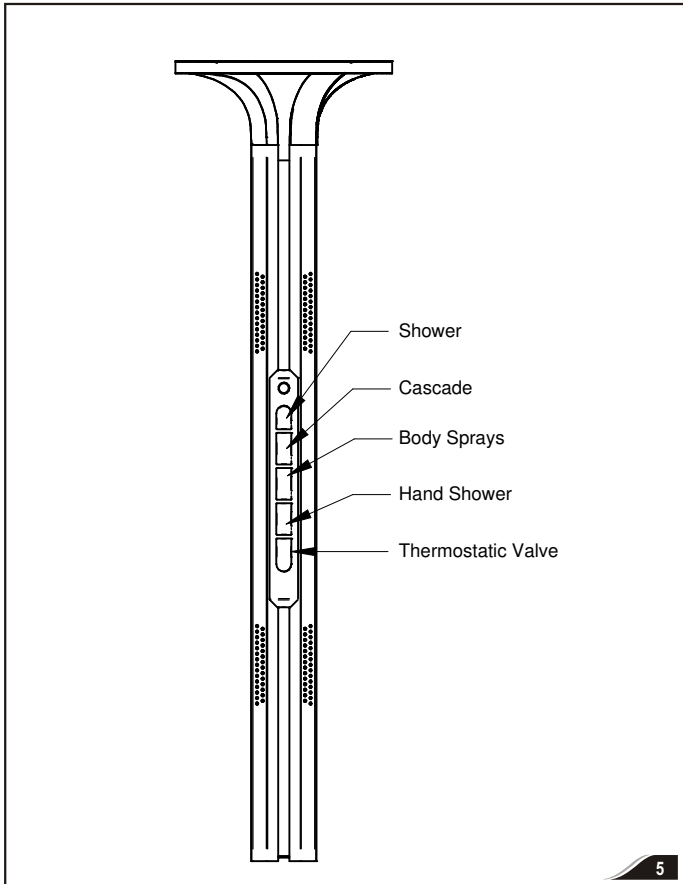
**ASSEMBLY OF SPRAY SHOWER KIT WITH SPOT TYPE HANDLE – see fig. 3.**

– ver el dis. 3.

1. Fasten the bracket (6) on a wall by means of expansion plugs (5) and screws (7). Slide the bezel (8) together with spot type handle (10) onto the bracket (6). Align it in proper position and tighten the set screw (12) from the bottom by means of Allen key (K) - refer to figure 4.
2. Screw the nut of spray shower hose (3) onto the screwed connector pipe of shower column (1), while remembering to place the flat gasket (2); screw the second nut of the hose - the conical one (13) - onto the connector pipe of hand shower (9), while remembering to place the flat gasket (4).
3. Locate the hand shower (9) in spot type bracket (10) - refer to figure 4.

This faucet complies with NSF61/9, ASME/ANSI A112.18.1 and CSA B 125 Standards.  
Este grifo se encuentra conforme con los estándares de NSF61/9, de ASME/ANSI A112.18.1 y de CSA B 125.

Installation Instructions • Instrucciones de Instalación



**OPERATING INSTRUCTIONS • LA DESCRIPCIÓN DEL FUNCIONAMIENTO**

**3**

**FUNCTIONAL DESCRIPTION**

**ENGLISH**

**ESPAÑOL**

**Shower column**

The knobs depicted on figure 5 as „shower“, „waterfall“, „side nozzles“ and „hand shower“ serve opening of flow and adjustment of water stream. The adjustment is possible within 0° + 90° position range.

Water temperature is adjusted by means of „thermostatic valve“ knob. When placed in extreme right position, it gives cold water of approx. 18 °C temperature. By rotating the „thermostatic valve“ knob gradually counterclockwise (to the left), hot water inflow to the thermostatic mixer is increased, resulting in outflow of mixed water of required temperature. The knob of water temperature adjustment is equipped with so-called anti-scald lock. This lock protects user against outflow of water having temperature higher than 38 °C and protecting against unintentional burn. If water of temperature higher than 38 °C is required, then button should be pushed in, releasing in this manner the anti-scald lock, and by rotating the knob gradually counterclockwise, increase the water temperature up to the required value. Turning the knob back, clockwise, - until the 38 °C setting - will cause automatic snapping of anti-scald lock.

**LED lighting**

Turning the LED lighting on is accomplished by pressing the button located on control panel late on the front side of shower column (figure 6). Pressing the button once results in change of illumination color (the color is changed with each pressing of the pushbutton). In order to obtain continuous, automatic change of illumination colors, press and hold the pushbutton for 17 sec. In order to stop the illumination color changes, press the pushbutton once and quickly. Double-pressing the pushbutton results in return to white light. The subsequent single pressing of the pushbutton turns the light off.

**CARE AND MAINTENANCE • CUIDADO Y MANTENIMIENTO**

**5**

**ENGLISH**

**ESPAÑOL**

Your *Graff* faucet is designed and engineered in accordance with the highest quality and performance standards. Be sure not to damage the finish during installation. Care should be given to the cleaning of this product. Although its finish is extremely durable, it can be damaged by harsh abrasives or polish. **Never use abrasive cleaners, acids, solvents, etc. to clean any *Graff* product. To clean, simply wipe gently with a damp cloth and blot dry with a soft towel.**

Su grifo de la *Graff* esta diseñado y dirigido acuerdo con los estándares de funcionamiento y calidad más altos. Este seguro no dañar las terminaciones del grifo durante la instalación. Cuide el producto manteniendolo siempre limpio. Aunque su acabado es extremadamente durable, puede ser dañado por los abrasivos o pulientes ásperos. **Nunca utilice limpiadores abrasivos, ácidos, solventes, el etc. para limpiar cualquier producto de la *Graff*. Para limpiar, simplemente use un paño húmedo y seque con una toalla suave.**



This faucet complies with NSF61/9, ASME/ANSI A112.18.1 and CSA B 125 Standards.  
Este grifo se encuentra conforme con los estándares de NSF61/9, de ASME/ANSI A112.18.1 y de CSA B 125.

Installation Instructions • Instrucciones de Instalación

**WARRANTY • GARANTÍA**

**ENGLISH**

Warranty conditions and warranty registration card are outlined on a separate sheet.

**ESPAÑOL**

Las condiciones de la garantía y la tarjeta del registro de la garantía se encuentran en una pagina separada.

**HOTLINE FOR HELP  
NUMERO DE EMERGENCIA**

For toll-free information and answers to your questions, call:  
Llame sin costo para obtener informacion y respuestas a sus preguntas:



**1 - 800 - 954 - GRAF (4723)**

[www.graff-faucets.com](http://www.graff-faucets.com)

All dimensions and drawings are for reference only. For details, please refer to actual products.  
Todas las dimensiones y dibujos sirven únicamente de referencia. Para consultar detalles, ver los productos.