



Country Side Lever Pull-Out Bar Faucet with Metal Lever & Short Handspray

ROHL Pull-Out Kitchen Faucets

R7903SLM

FEATURES

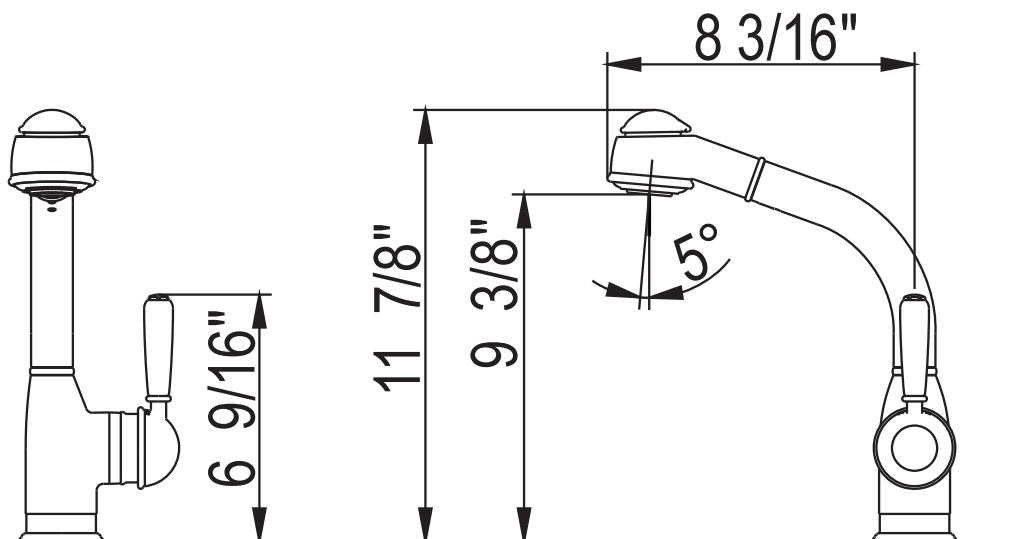
- Short handspray, dissimilar ceramic discs for smooth operation and long life
- Ceramic disc cartridge
- Hard water resistant soft touch elastomer spray face & anti-scald device
- Stainless steel coil & long-lasting chlorine resistant inner liner
- 1 3/8" hole cutout
- 2 1/4" max. installation depth on deck
- IAPMO compliant double check valve
- 1.8 GPM
- Requires 2 1/2" clearance from backsplash to center of faucet hole
- 3/8" flex supply lines

COLORS/FINISHES

- Polished Chrome
- Polished Nickel
- Satin Nickel
- Tuscan Brass

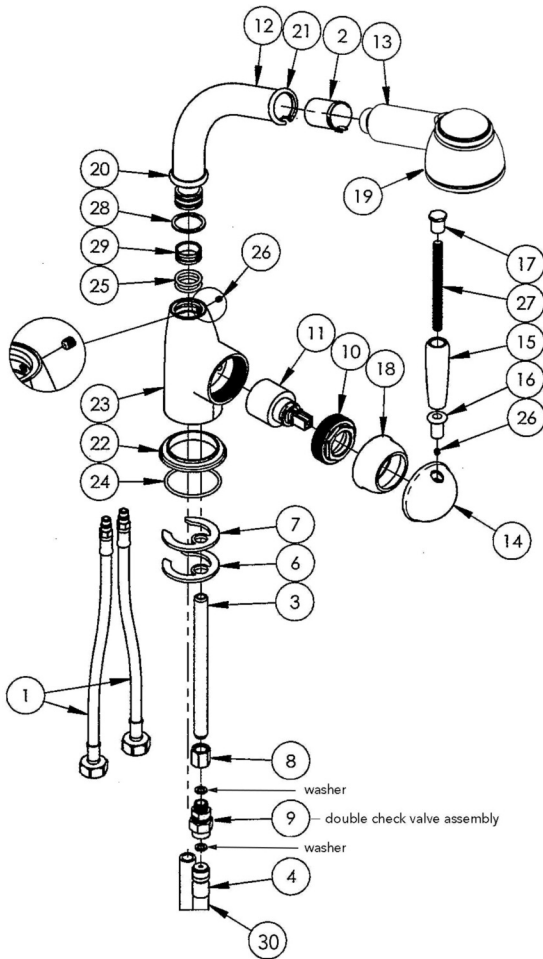
WARRANTY

- Limited Lifetime*
- *No warranty on Tusca Brass Finish (TCB)



All current Pull-Out faucets are code compliant in California and Vermont. Consult your local ROHL showroom for additional information and specifications. For complete warranty details and a list of showrooms, go to www.rohlhome.com.

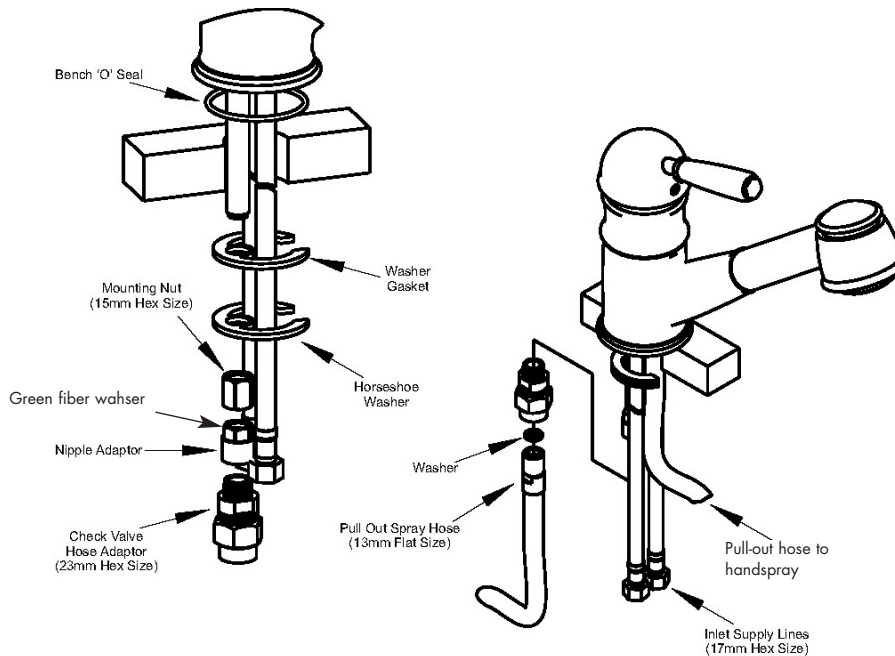
R7903S Spare Parts



ITEM NO.	PART NUMBER	DESCRIPTION	QTY
1		HOSE, M8-3/8" COMP. X 8" LG.	2
2		INSERT, CONICAL NUT HOSE SEAT	1
3		NIPPLE, ADAPTER M12X1.0 - M12X1.75	1
4		59" S.S. HOSE 15 X 1/2", 3mm HOLE	1
5		LEAD WEIGHT	1
6		WASHER, MOUNTING	1
7		WASHER, RUBBER	1
8		NUT, MOUNTING	1
9	10680	ADAPTER, NUT	1
10		NUT, CARTRIDGE RETAINING	1
11	10704	CARTRIDGE, G35W/ G40 STEM WITH PLASTIC ADAPTOR	1
12		SPOUT, TUBE FOR PULLOUT	1
13	R9452950APC R9452954STN R9452951PN R9452956TCB	PULLOUT, 75mm w/RADIUS EDGED CAP	1
14		HUB DOME SIDE LEVER	1
15		HANDLE LEVER TAPERED COUNTRY	1
16		LEVER END COUNTRY	1
17		CAP END HEX FOR LEVER COUNTRY	1
18		SIDE LEVER NUT CAP	1
19		DECORATIVE RING FOR SPRAYER	1
20		INSERT MOUNT FOR SPOUT PULLOUT	1
21		RING, SPOUT SPRAYER TRANSITION COUNTRY	1
22		ESCUTCHEON, COUNTRY SIDE	1
23		BODY, SIDE LEVER FOR SIDESPRAY	1
24		O-RING, 1-13/16" ID X 2" OD X 3/32" THK, AS-568-133	1
25		O-RING, 3/4" ID X 15/16" OD X 3/32" THK, AS-568-116	2
26		SET SCREW, CUP POINT 8-32UNC 3/16"L	2
27		THREADED ROD, 5/16"-18 X 3-3/4"L	1
28		WEAR WASHER	1
29		SLEEVE WASHER BEARING	1
30	R45158/2	HOSE	1

Installation Instructions

NOTE: MODELS MAY VARY



Note: This mixer fits a maximum bench thickness of 2-1/2" and has a 90° spout arc.

1. Flush pipe work to ensure it is free from debris.
2. Cut a mounting hole 1 3/8" diameter in the desired position for the faucet ensuring there is 30 inches of clear vertical space below the hole for free movement of the hose. Check if there is 5[8]" of flat surface around the edge of the hole, and that the handset is able to reach where required.
3. Remove faucet from packaging. Remove the mounting nut, horseshoe washer, horseshoe gasket, and the hose mounting adaptor. Make sure bench seal is in place and lower the faucet into place.
 - o **Note: retain the green/blue fiber washer in the nipple adaptor for installation. It is a special size.**
4. Install the mounting nut, horseshoe washer and horseshoe gasket. Tighten the assembly with the lever on the deck on the right side. Please note: The range of motion of the lever only allows for installation on the right side when facing the faucet.
5. Insert the hose and hand spray. Check the position of the horseshoe washer. If there is any resistance on the hose through the deck; adjust as needed.
 - o **Check that the hose and hand shower connection are hand tight, with a 1/2" washer to make a seal.**
6. Connect the nipple adaptor along with the check valve adaptor to the bottom of the nipple mount. The blue/green fiber washer is needed to make a seal.
7. Install the hose by holding the hose in place, and rotating the threaded hose into the Check Valve Hose Adaptor housing. A 13mm wrench may be needed. Note: A flat washer is needed to make a water tight seal.
8. Fit the hand spray counter weight assembly onto vertical hose position directly below the faucet. Take care to not twist the hose; position the two (2) weights, 14 inches from the top of the hose. Check the travel of the hand set and adjust as needed.
9. Turn on water supply and check for leaks. Test operation of handset by pressing button on side of handset to change from standard spray to shower spray settings by pressing the button on wand.

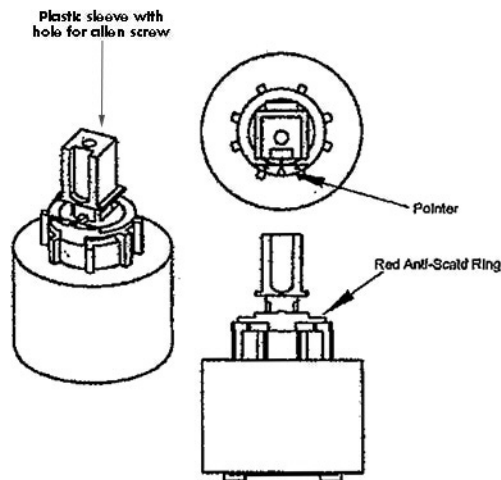
Installation Instructions

ADJUSTMENTS

ANTI-SCALD RING: An anti-scald ring is fitted to this faucet to limit the maximum movement of the handle when turned to the "HOT" position.

Ex factory the cartridge is set to the maximum HOT waterflow

1. Remove handle by loosening the 2mm set screw through access hole under handle hub with Hexagon key provided. Unfasten the handle from hub; then remove the shroud turning counter clockwise to access up to the cartridge nut.
2. Lift the red anti-scald ring sufficiently to disengage. Turn counter-clockwise and replace until the desired maximum temperature is obtained. Each notch on the ring gives a temperature change of approximately 3.5°F.
3. Replace components in reverse order.



CARE AND MAINTENANCE:

WE RECOMMEND OCCASIONAL CLEANING WITH WARM SOAPY WATER FOLLOWED BY POLISHING WITH A SOFT CLOTH TO KEEP THE PLATED FINISH IN GOOD CONDITION. DO NOT USE ABRASIVE LIQUIDS, POWDERS, OR PADS TO CLEAN THE PRODUCT. YOU WILL DAMAGE THE FINISH AND VOID THE WARRANTY.

GUARANTEE TO THE CONSUMER

WARRANTY

Rohl LLC warrants this product to be free from defects in materials or workmanship for as long as the original consumer purchaser owns their home.

Rohl LLC will provide free of charge, at its option, replacement part(s) or product (or a comparable alternative product) to replace those which have proven defective in materials or workmanship. We will not assume liability for labor expended or damages accruing from the use of material purchased from us. If material is defective, the limit of damage is the price of the defective material.

Proof of purchase (original sales receipt) from the original consumer purchaser must be made available to Rohl LLC for all warranty claims. The warranty is not transferable and is extended solely to the original purchaser of the product.

WARRANTY EXCLUSION

This warranty is for normal domestic use only and excludes defect or injury caused by or resulting from misuse, abuse or neglect, accidental damage or improper installation. The lifetime limited warranty does not apply to replacement of components where damage is caused by normal wear and tear.

WARRANTY WILL BE INVALID IF:

- A. The product has not been correctly installed (whether by a plumber, contractor, service provider or member of the purchaser's household) in accordance with the manufacturer's instructions.
- B. The surface finish of the product has been damaged by use of unsuitable cleaning agents or improper materials, i.e. damage by agents containing acidic, corrosive, abrasive or alcohol-based substances or through scouring the surface by abrasive cloths.
- C. Damage has occurred to component parts due to foreign materials in the water supply (e.g. stones, metal shavings). All water lines must be flushed clear of all debris prior to installing the product. It is strongly recommended that in areas where foreign materials may be present in the water supply, an inline filter be fitted on both the Hot and Cold inlets. This will ensure your warranty remains valid.
- D. The product has been exposed to excessive high water temperature (above 80° Celsius or 175° Fahrenheit).

PARTS ONLY WARRANTY

This warranty does not cover labor charges incurred and / or damage sustained in installation, repair or replacement, nor incidental or consequential damages.