



## DE' LUX PULL-OUT KITCHEN FAUCET WITH LOOP HANDLE

ROHL Pull-Out Kitchen Faucets

**R3830U-APC** (Polished Chrome)  
**R3810U-STN** (Satin Nickel)

### FEATURES

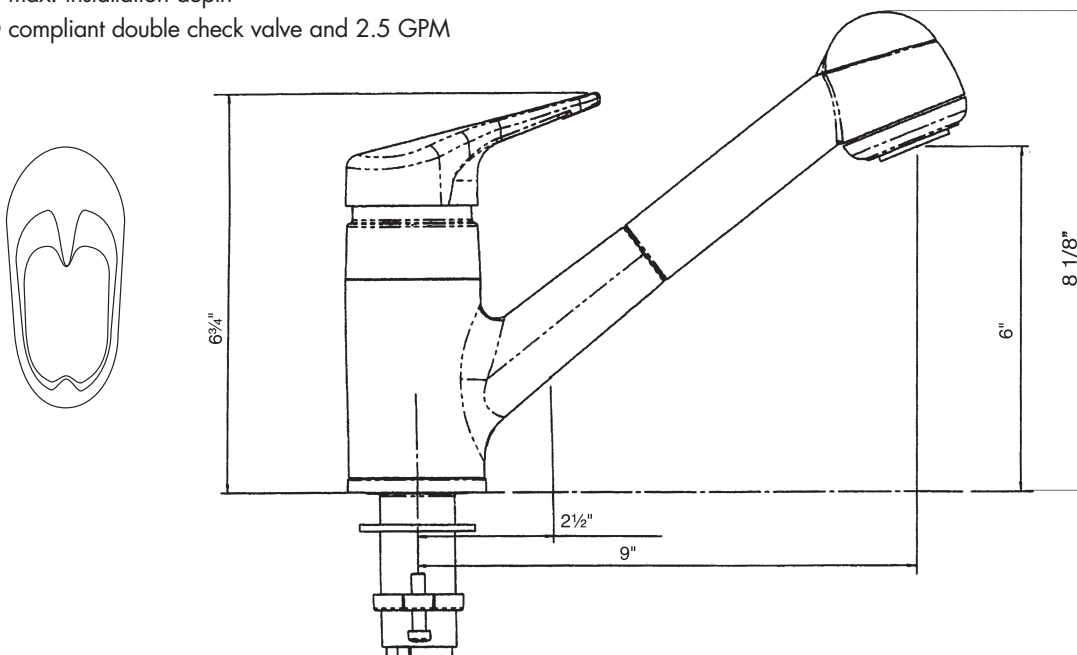
- Ergonomic and attractive loop handle
- Ceramic disc cartridge
- Hard water resistant soft touch elastomer spray face & anti-scald device
- Dissimilar ceramic discs for smooth operation and long life
- Stainless steel coil & long-lasting chlorine resistant inner liner
- 1 3/8" cutout
- 3/8" copper tube supplies, requires compression connections (not supplied)
- 2 1/4" max. installation depth
- IAPMO compliant double check valve and 2.5 GPM

### FINISHES

- Polished Chrome
- Satin Nickel

### WARRANTY

- Limited Lifetime



All current Pull-Out faucets are code compliant in California and Vermont. Consult your local ROHL showroom for additional information and specifications. For complete warranty details and a list of showrooms, go to [www.rohlhome.com](http://www.rohlhome.com).

## R3800 Series Spare Parts

### DÉ LUX LEVER

R94018500APCSET-CHROME  
R94018501STNSET-SATIN NICKEL

### LEVER (SOLID)

R413814STN - SATIN NICKEL  
R413820APC - CHROME

### LEVER (LOOP)

R412814STN - SATIN NICKEL  
R412820APC - CHROME

### DOME CAP COVER

R941520STN - SATIN NICKEL  
R945130APC - CHROME

### CARTRIDGE NUT

### SUPPORT RING

### CIRCLIP

### CARTRIDGE KIT

R5980105

### BEARING RING

R9454641KIT

### BACKING WASHER

R42650

### LOCKNUT ASSEMBLY

R42651

### HOSE SUPPORT

R945155

### GRUB SCREW

R42795 - M5X8

### HOSE GUIDE

R46456

### NON-RETURN VALVE

### HOSE O-RING KIT

R45158/1

### HOSE

R45158

### HANDSPRAY (SHORT)

R4521820STN - SATIN NICKEL  
R4521820APC - CHROME

### HANDSPRAY (LONG)

R9451750STN - SATIN NICKEL  
R945157APC - CHROME

### CHECK VALVE HOUSING ASSEMBLY

R451701

### COUNTER WEIGHT

R482100

### THE SEAL KIT

R5980093

A 1 x 200014

B 1 x 200017

C 2 x 220031

D 1 x 220028

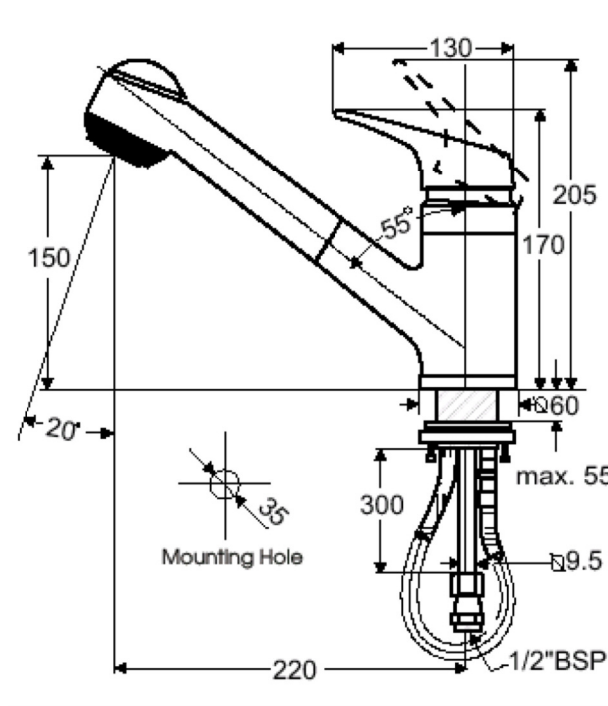
E 1 x 220130

F 1 x 220019

G 3 x 200111

H 1 x 200110

**Installation Instructions**



**ROHL DÉ LUX PULLOUT KITCHEN FAUCET  
INSTALLATION INSTRUCTIONS**

Please leave this form with the product once installed.

**SYSTEM REQUIREMENTS**

To ensure the optimum performance and customer satisfaction please adhere to the following:

- Flush out all pipe work prior to installation.
  - Minimum operating pressure 40psi
  - Maximum operating pressure 70psi
  - Recommended operating pressure 60psi
  - \*Note: Pressures over 70psi may require that the house have a pressure regulator installed to limit the pressure to below 70psi.
  - Maximum hot water temperature 120°F
  - If the water temperature exceeds 120°F an approved tempering valve must be fitted.
  - Maximum flow rate limited to 1.8 US gallons/minute 60psi flow pressure .
- Failure to comply with the above will void all warranties.**

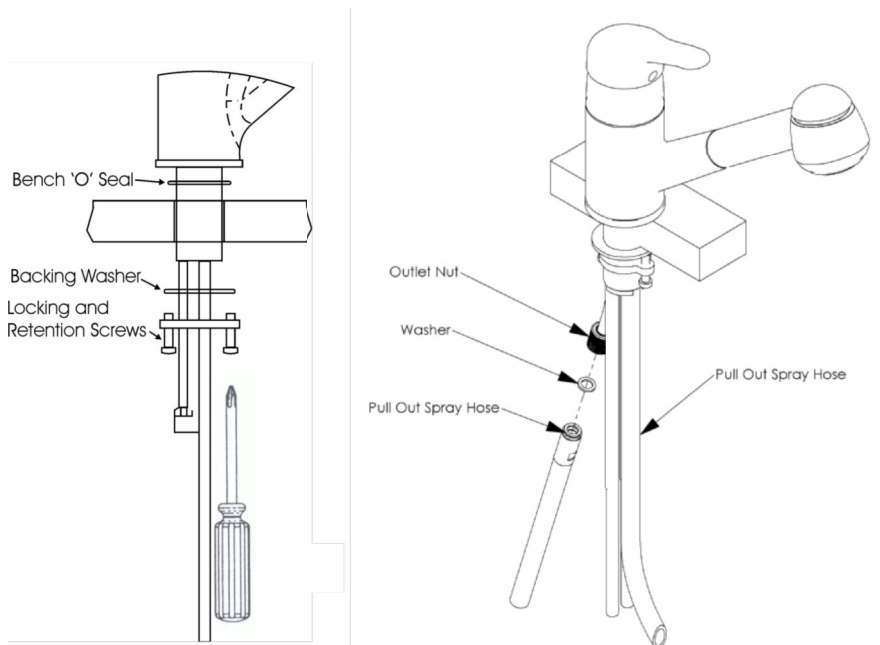
**NOTE:** It is required that in-line filters are fitted to both inlets. Connection adaptors are not supplied.

**APPROVALS**

This product conforms to ASME A112.18M requirements

#41235 04/12

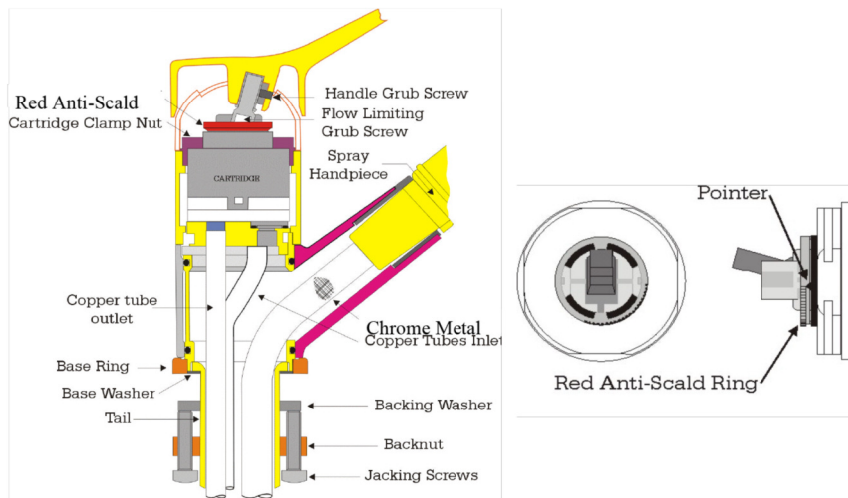
## Installation Instructions



**Note: This mixer fits a maximum bench thickness of 2 1/4 inches and has a 140° spout arc.**

1. Flush pipe work to ensure it is free from debris.
2. Cut a mounting hole 1 3/8" diameter in the desired position for the mixer ensuring there is 30 inches of clear vertical space below the hole for free movement of the hose. Check there is 5/8" of flat surface around the edge of the hole, and that the handset is able to reach where required.
3. Remove mixer from packaging. Unscrew mounting nut and remove backing washer from threaded mixer tail. Ensure 'O' ring is sitting in groove at base of mixer and lower mixer through mounting hole.
4. From underneath the bench slide the washer and mounting nut over connection pipes and tighten onto threaded tail of mixer. Further tighten with jacking screws. The shorter copper tail pipe should be to the rear of the bench.
5. Connect the water supply to the mixer inlet tubes (longer copper tails). **Ensure that the copper tail pipes do not foul the travel of the hose.**
6. Connect the hose to the shorter copper tail pipe. Making sure the sealing washer is in place by turning the nut on the copper tail rather than the hose itself.
7. Remove handset from packaging, ensuring the rubber washer is in place and tighten hose onto handset.
8. Remove weights from packaging and fit to hose approximately 24 inches below bench surface, secure with circlip supplied. Check travel of handset and reposition counter weight if necessary.
9. Turn on water supply and check for leaks. Test operation of handset by pressing button on top of handset to change from pour to spray settings.

## Installation Instructions



### ADJUSTMENTS

**FLOW LIMITER:** A flow limiter is fitted to this mixer to limit the flow of water in high pressure situations.

1. To adjust the flow limiter, remove handle by loosening grub screw through access hole under red/blue indicator with Hexagon key provided. Grip cover sleeve and lift up to remove.
2. Turn mixer on to desired flow rate and turn grub screw at base of lever spindle clockwise until it comes to a stop.
3. Replace cover sleeve and handle.

**ANTI-SCALD RING:** An anti-scald ring is fitted to this mixer to limit the maximum movement of the handle when turned to the "HOT" position.

Ex factory the cartridge is set to the maximum HOT water flow.

1. Remove handle by loosening grub screw through access hole under red/blue indicator with Hexagon key provided. Grip cover sleeve and lift up to remove.
2. Lift the red anti-scald ring sufficiently to disengage. Turn anti-clockwise and replace until the desired maximum temperature is obtained. Each notch on the ring gives a temperature change of approximately 3.5°F.
3. Replace cover sleeve and handle.

**CARE AND MAINTENANCE:** After use, wipe down with a soft, dry cloth.

For all Chrome plated surfaces we recommend cleaning this product with warm soapy water and then dry and buff with a dry soft cloth.

Nickel plated, satin nickel and Inca brass finishes should be cleaned with a soft cloth and warm water and then dried with a dry soft cloth.

Do not use cream cleaners or cleaning agents containing a corrosive acid or scouring agent including, Sofscrub, Comet, Ajax and Bonami as these may damage the surface of the faucet.

Do not use any spray cleaners with ammonia or alcohol like Windex, Yo9 or Fantastik. Any use of unsuitable cleaning agents causing damage to the surface will not be covered by the warranty.



**Installation Instructions**

**GUARANTEE TO THE CONSUMER**

**WARRANTY**

Rohl LLC warrants this product to be free from defects in materials or workmanship for as long as the original consumer purchaser owns their home.

Rohl LLC will provide free of charge, at its option, replacement part(s) or product (or a comparable alternative product) to replace those which have proven defective in materials or workmanship. We will not assume liability for labor expended or damages accruing from the use of material purchased from us. If material is defective, the limit of damage is the price of the defective material.

Proof of purchase (original sales receipt) from the original consumer purchaser must be made available to Rohl LLC for all warranty claims. The warranty is not transferable and is extended solely to the original purchaser of the product.

**WARRANTY EXCLUSION**

This warranty is for normal domestic use only and excludes defect or injury caused by or resulting from misuse, abuse or neglect, accidental damage or improper installation. The lifetime limited warranty does not apply to replacement of components where damage is caused by normal wear and tear.

**WARRANTY WILL BE INVALID IF:**

- A. The product has not been correctly installed (whether by a plumber, contractor, service provider or member of the purchaser's household) in accordance with the Manufacturers instructions.
- B. The surface finish of the product has been damaged by use of unsuitable cleaning agents or improper materials, i.e. Damage by agents containing acidic, corrosive, abrasive or alcohol-based substances or through scouring the surface by abrasive cloths.
- C. Damage has occurred to component parts due to foreign materials in the water supply (e.g. stones, metal shavings). All water lines must be flushed clear of all debris prior to installing the product. It is strongly recommended that in areas where foreign materials may be present in the water supply, an inline filter be fitted on both the Hot and Cold inlets. This will ensure your warranty remains valid.
- D. The product has been exposed to excessive high water temperature (above 70° Celsius or 160° Fahrenheit).

**PARTS ONLY WARRANTY**

This warranty does not cover labor charges incurred and / or damage sustained in installation, repair or replacement, nor incidental or consequential damages.

**ROHL, LLC**  
**3 PARKER, IVINE, CA 92618**  
**(P) 800.777.9762 | (F) 714.557.8635 | www.rohlhome.com**

<b>PRODUCT #</b>	<b>BATCH #</b>
------------------	----------------