



## COUNTRY PULL-OUT KITCHEN FAUCET

ROHL Pull-Out Kitchen Faucets

**A3410LM** (Metal Lever)

**A3410LP** (Porcelain Lever)

### FEATURES

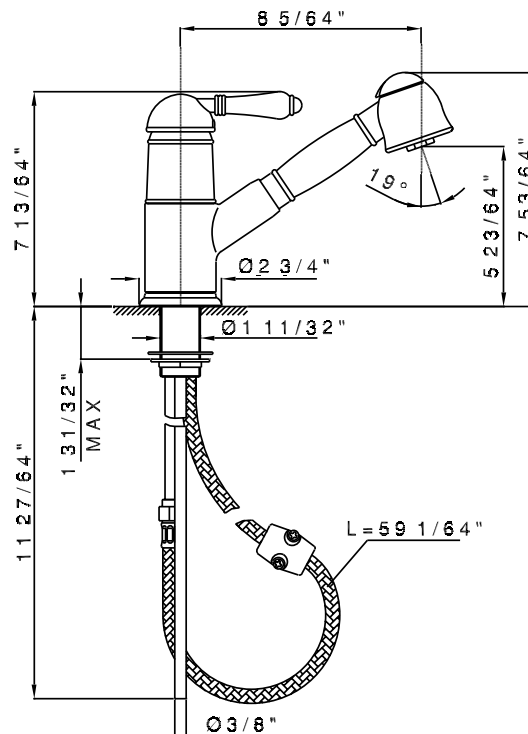
- Ceramic disc single lever cartridge
- Swivel spout
- Brass construction
- 1 3/8" hole cutout
- 3/8" copper tube supplies, requires compression connections (not supplied)
- 1 31/32" max. installation depth on deck
- Short handspray not available
- Nylon braided hose
- Inca Brass finish not available

### COLORS/FINISHES

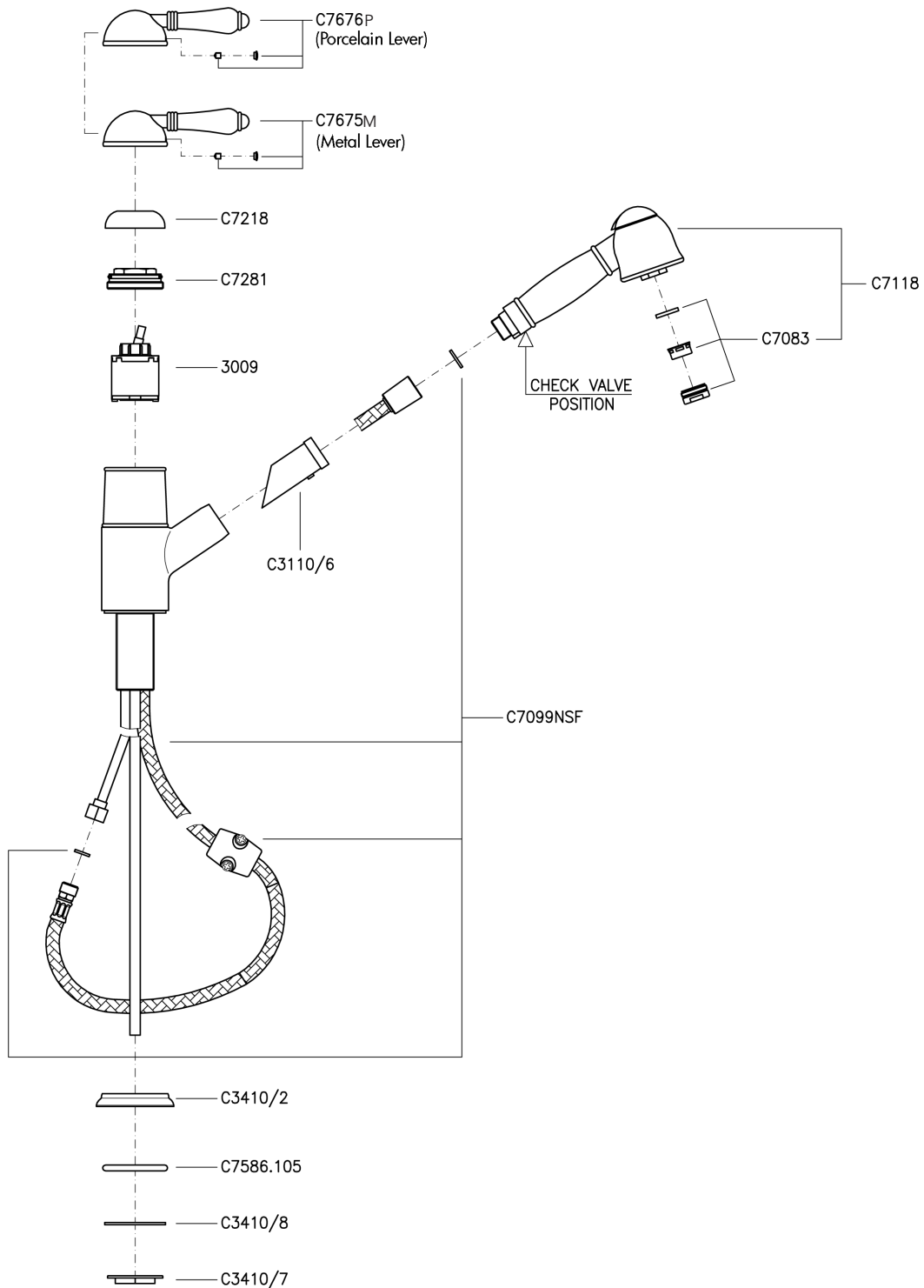
- Polished Chrome
- Polished Nickel
- Satin Nickel

### WARRANTY

- Limited Lifetime\*
- \*No warranty on Tuscan Brass finish



## A3410 Spare Parts



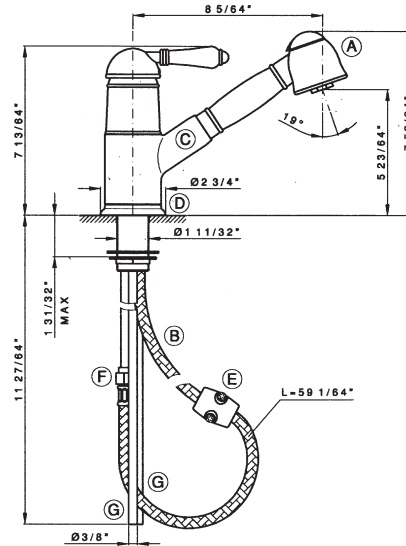
Consult your local ROHL showroom for additional information and specifications. For complete warranty details and a list of showrooms, go to [www.rohlhome.com](http://www.rohlhome.com).

## Installation Instructions

### Single-lever single hole pullout kitchen faucet

Art. A3410LM-- -2

Art. A3410LP-- -2



#### a - Preparation

Flush out the pipework to remove any foreign matter.  
The hot supply should be on the left when viewed from the front of the fitting.

#### b - Assembly

- Connect the hand-shower (A) to the nylon flexible hose (B) placing the washer between the two parts. Please note: use the conical flexible connection.
- Introduce the nylon flexible hose (B) in the body (C) placing the hand-shower inside the black plastic holder.
- Introduce the body (C) with nylon hose in the hole of the kitchen sink, placing before the disc (D) and then the O-Ring between the base of the faucet and the kitchen sink.
- Fix the faucet placing, before the rubber washer and then the nut with disc.
- Connect the nylon flexible hose (B) to short copper pipe (F) placing the washer between the two parts.
- Connect hot and cold water supplies to long copper tubes (G) inlet.
- Ensure all connections are firmly tightened.

#### c - Before use

Turn on the Hot and Cold supplies to the faucet.  
Maximum temperature for Hot water supply to the faucet is 145° F.  
Minimum recommended pressure is 15 psi - Maximum recommended pressure is 75 psi.  
Check the installation carefully for leaks.  
If further building work is to be carried out in the vici of the faucet, it should be covered to prevent paint, adhesive, etc. from damaging the surface.

## Installation Instructions

### Care and use for finishes

Country Bath Products are all authentic finishes that have not been coated with any product.

After each use, pat the fixture down to remove any excess water. This will prevent any water spotting or mineral build-up. Use only soft liquid soap and water to clean the surface. Use a soft brush to clean any gaps. Avoid any products that have ammonia or alcohol like Windex, 409 or Fantastik. These products can damage the finish leaving black or white spots. Never use an abrasive product like Softscrub, Comet, Ajax or Bon Ami.

For deep polishing we recommend Bruno's Wax for all finishings.

Tuscan Brass is a living finish and has no warranty. It will lighten with use. To extend the life of the finish, apply Bruno's Wax by patting it on, letting it dry and patting it off. Never rub or buff this finish.

**WARNING:** the use of cleaning products not recommended might irreparably harm the surfaces of the faucets which in such case are not covered by our warranty.

### Limescale

The faucet is fitted with an aeration device in the Hot/Cold water outlet.

This may need occasional cleaning especially in hard water areas.

This is accomplished by unscrewing the outlet in a counter clockwise direction, dismantling and leaving the inner screen mesh immersed over night in vinegar or lemon juice.

Do not use chemical descaling liquids for this purpose.

Trouble shooting:

Please note the faucet swivels easily.

If the faucets swivels to the center of the sink without assistance, the hose is the cause of the action.

Remove the handspray and rotate the hose in the opposite direction of the swivel. This will convert the action.

## Installation Instructions

# ATTENTION

### **READ THESE INSTRUCTIONS BEFORE INSTALLATION AND USE OF ALL FAUCETS AND WALL VALVES**

### **INSTALLATION and WARRANTY INSTRUCTIONS TECHNICAL INFORMATION**

All flexible hoses are designed and manufactured for use with water in exposed locations only. **Do not expose** to household cleaners, chlorine, chloride, hydrochloric acid or other corrosive chemicals.

- All connections with threads M10x1 male must be hand tighten. **Do not over tighten. Over tightening may cause damage to the hose.**

All faucets washers and o-rings are designed and manufactured for use with water. **Do not expose** to household cleaners, chlorine, chloride, hydrochloric acid or other corrosive chemicals.

Faucets are designed for use with the temperatures and pressures listed below:

- minimum cold water supply 50 °F
- maximum hot water supply 145 °F
- minimum pressure 15 psi
- maximum pressure 75 psi
- maximum fixing torque value = 10 lbf.ft.
- 

**Please note:** The recommended best pressure for best performance is between 40 psi and 60 psi. More pressure than 60 psi or less pressure than 40 psi may affect the diverting action in side spray faucets.

- Do not use any Rohl Country/ Nicolazzi faucet with sulphorous water.
- The minimum temperature for all faucets is 50 degrees F. Below 50 degrees F will void the warranty.
- When available, filter systems must be placed between hot and cold supply lines and the faucet. Improper use or non-use of filters may make diverting faucets with hand sprays perform poorly.
- Don't modify faucet and their components
- Use only original spare parts if there are replacements to be ordered.
- Installation must be made by authorized plumbers or installers. Improper installation or diagnosis of problems is not covered by the warranty.
- Yearly maintenance of cleaning and flushing is recommended.

**Operation and use of any faucet or wall valve that do not conform to these technical instructions will void the warranty.**