

AXOR Starck
Bar Faucet, 1.5 GPM
 Finishes : Part no. : **10826001**



Features

- Swivel range 150°
- Aerated spray
- Deck mounted
- Flow: 1.5 GPM (5.7 L/Min)
- Joystick ceramic cartridge
- 3/8" connections

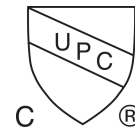
Item details

List Price \$ 878.00

Technology



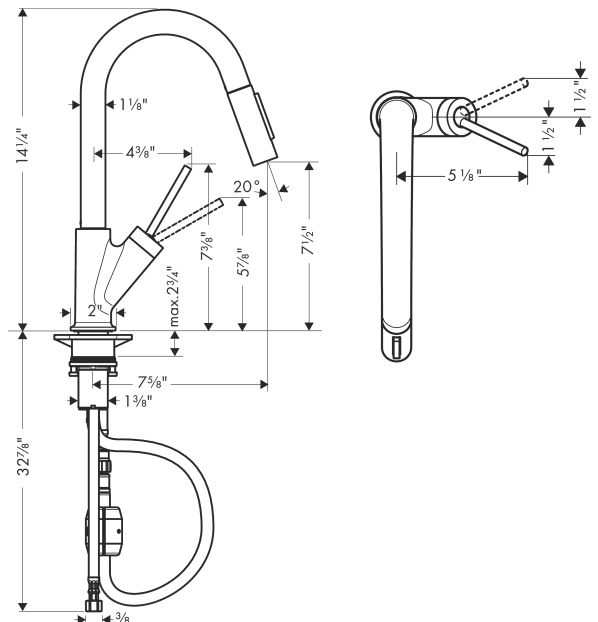
Compliance



Product image



Scale drawing

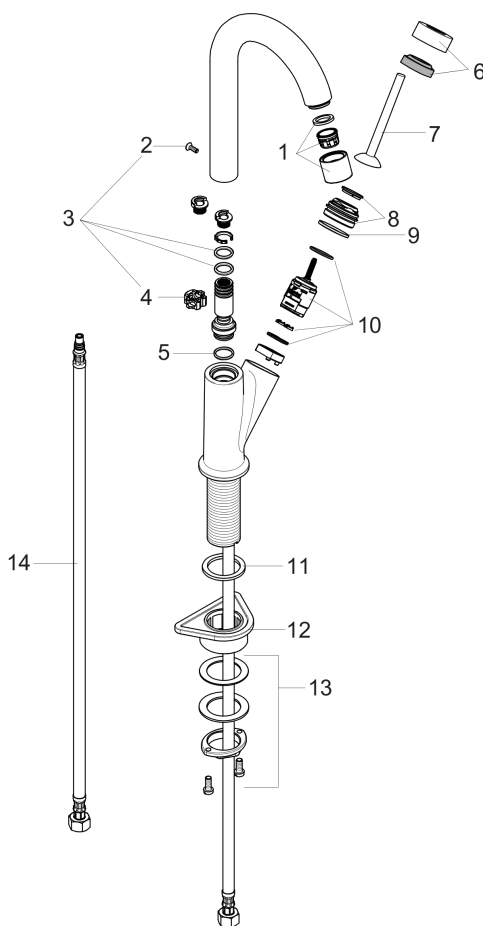


AXOR Starck
Bar Faucet, 1.5 GPM
 Finishes : Part no. : **10826001**



Exploded drawing

Year of production: >08/12



AXOR Starck
Bar Faucet, 1.5 GPM
 Finishes : Part no. : **10826001**



Spare parts list

Year of production: >08/12

Pos.		Part no.	Price	PU
1	aerator M24x1 (7 l/min)	95965000	-	1
2	screw	97662000	-	1
3	sealing set	92646000	-	1
4	axialring	97558000	-	1
5	O-ring 16x2	98133000	-	1
6	flange	97155000	-	1
7	handle	95893000	-	1
8	nut	97157000	-	1
9	O-ring 41x1,5	98168000	-	1
10	cartridge, assy	96339000	-	1
11	flat seal	98749000	-	1
12	support	97523000	-	1
13	fixing set (Ø 34)	95049000	-	1
14	connection hose 35½" M8x0,75 3/8"	96316001	-	1