

AXOR Starck
Prep Kitchen Faucet 2-Spray Pull-Down, 1.75 GPM
 Finishes : Part no. : **10824001**



Features

- Swivel range 150°
- Laminar and needle spray
- Toggle spray diverter
- MagFit magnetic sprayhead docking
- Deck mounted
- Flow: 1.75 GPM (6.6 L/Min)
- Joystick ceramic cartridge
- 3/8" connections
- Integrated double backflow prevention

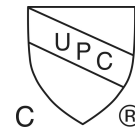
Item details

List Price \$ 1,102.00

Technology



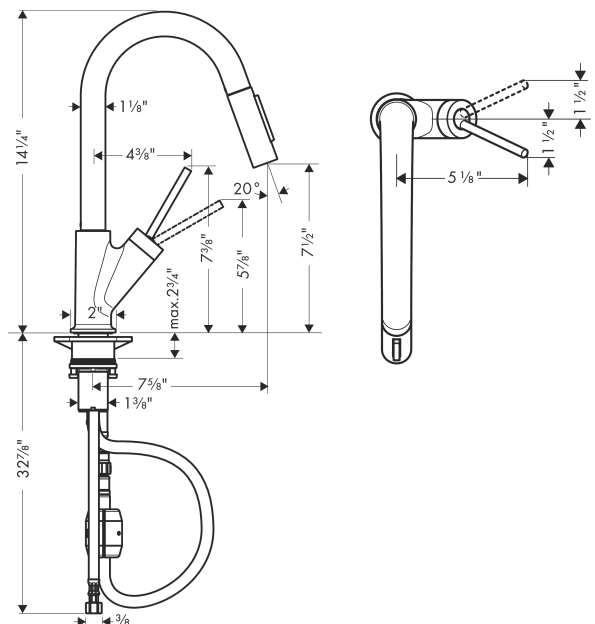
Compliance



Product image



Scale drawing



AXOR Starck
Prep Kitchen Faucet 2-Spray Pull-Down, 1.75 GPM
 Finishes : Part no. : **10824001**



Spare parts list

Year of production: >05/21

Pos.		Part no.	Price	PU
2	set of lever collars	98365000	-	1
3	O-ring 21x2,5	98211000	-	1
4	filter	97735000	-	1
5	non return valve	93218000	-	1
6	O-ring 18x1,5	98231000	-	1
7	O-ring 20x1	98140000	-	1
8	flange	97155000	-	1
9	handle	95893000	-	1
10	nut	97157000	-	1
11	O-Ring 30x2	98186000	-	1
12	cartridge, assy	96339000	-	1
13	flat seal	98749000	-	1
14	support	97523000	-	1
15	fixing set (Ø 34)	95049000	-	1
16	hose 1,50 m	88624000	-	1
17	weight	92500000	-	1
18	connection hose 600 mm M10x1	95561000	-	1
19	O-ring 8x1,75	97827000	-	1
20	connection hose 35½" M8x0,75 3/8"	96316001	-	1
21	O-ring 7x1,5	98422000	-	1
22	lever collar	97548000	-	1
23	set of non return valves DW 15	97350000	-	1
24	service tool	95910000	-	1
25	aerator laminar M22x1 (15 l/min)	95909000	-	1
26	handspray	95908001	-	1