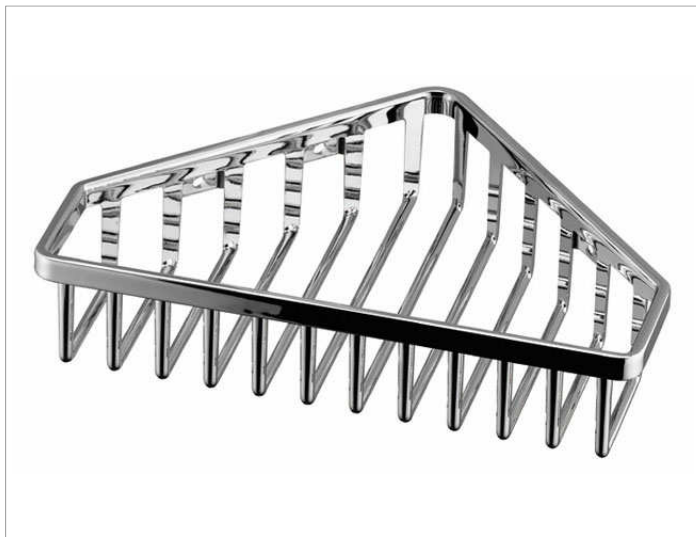


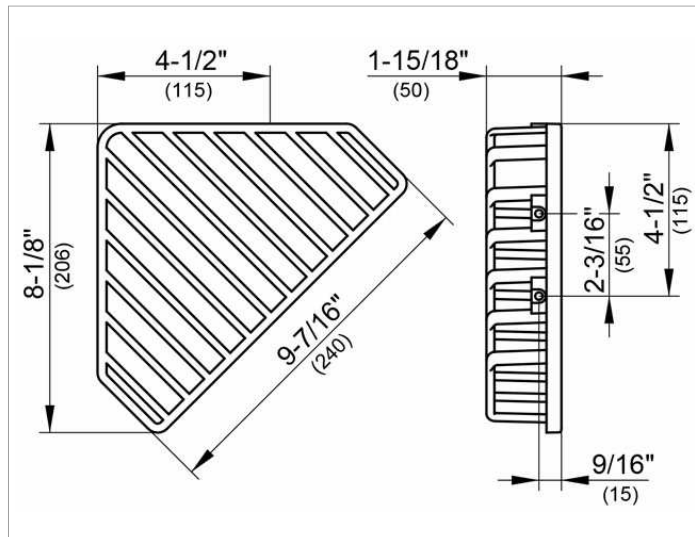
Shower shelves

2490401000 Sponge basket for corner installation

PRODUCT



DRAWING



PRODUCT ATTRIBUTES

with exposed mounting screws

SURFACE

chrome-plated

SPECIFICATIONS

KEUCO SPONGE BASKET for corner installation, wall mounted,
 2490401000
 chrome-plated sponge wire basket for corner installation in a functional
 design,
 easy to clean
 total depth 8-1/8", width 9-7/16", height 1-15/18",
 incl. corrosion-free mounting material

Warranty: KEUCO products are covered by a 5-year manufacturer's warranty, in effect from the date of purchase. During this time, proven product defects will be remedied free of charge. Warranty claims must be filed in writing, including a detailed description of the defect immediately after a defect has occurred. For a copy of our detailed product warranty policy, please contact us at office-usa@keuco.com.

Installation: KEUCO products must be installed by a qualified professional in accordance with the respective installation guidelines and any applicable federal / local building codes and regulations.