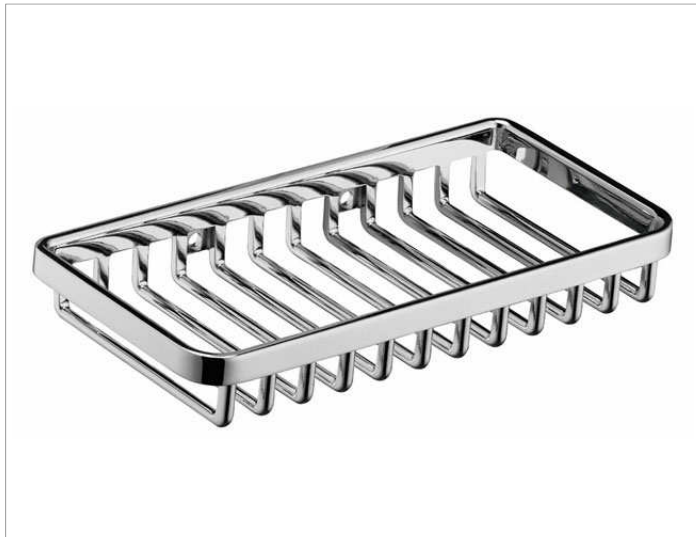


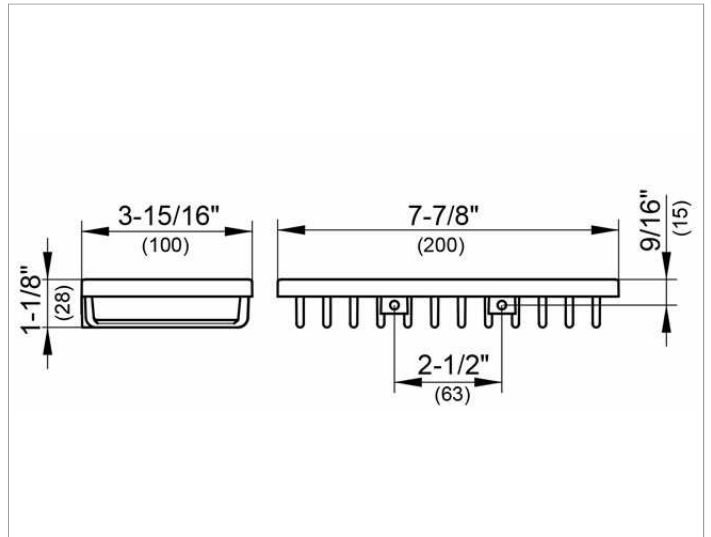
Shower shelves

24902010000 Sponge wire basket

PRODUCT



DRAWING



PRODUCT ATTRIBUTES

with exposed mounting screws

SURFACE

chrome-plated

SPECIFICATIONS

KEUCO SPONGE WIRE BASKET, wall mounted, 24902010000
 chrome-plated sponge wire basket in a functional design,
 easy to clean
 depth 3-15/16", width 7-7/8", height 1-1/8",
 distance between bore holes 2-1/2"
 incl. corrosion-free mounting material

Warranty: KEUCO products are covered by a 5-year manufacturer's warranty, in effect from the date of purchase. During this time, proven product defects will be remedied free of charge. Warranty claims must be filed in writing, including a detailed description of the defect immediately after a defect has occurred. For a copy of our detailed product warranty policy, please contact us at office-usa@keuco.com.

Installation: KEUCO products must be installed by a qualified professional in accordance with the respective installation guidelines and any applicable federal / local building codes and regulations.