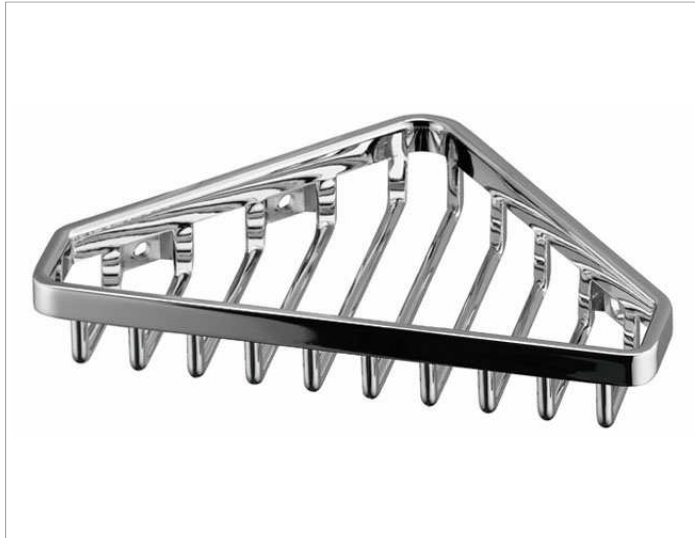


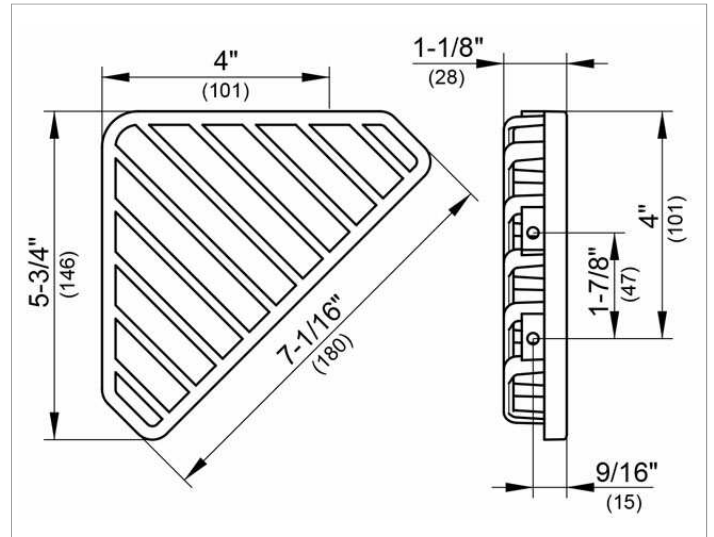
**Shower shelves**

**2490301000 Soap wire basket for corner installation**

**PRODUCT**



**DRAWING**



**PRODUCT ATTRIBUTES**

with exposed mounting screws

**SURFACE**

chrome-plated

**SPECIFICATIONS**

KEUCO SOAP WIRE BASKET for corner installation, wall mounted, 2490301000  
 chrome-plated soap wire basket for corner installation in a functional design,  
 easy to clean  
 total depth 5-3/4", width 7-1/16", height 1-1/8",  
 incl. corrosion-free mounting material

**Warranty:** KEUCO products are covered by a 5-year manufacturer's warranty, in effect from the date of purchase. During this time, proven product defects will be remedied free of charge. Warranty claims must be filed in writing, including a detailed description of the defect immediately after a defect has occurred. For a copy of our detailed product warranty policy, please contact us at [office-usa@keuco.com](mailto:office-usa@keuco.com).

**Installation:** KEUCO products must be installed by a qualified professional in accordance with the respective installation guidelines and any applicable federal / local building codes and regulations.