



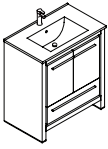
FVN8130

ALLIER

INSTALLATION GUIDE

CONTENTS:

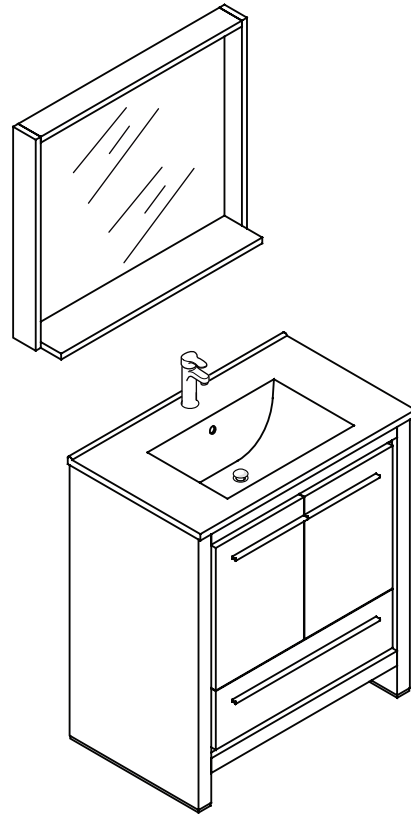
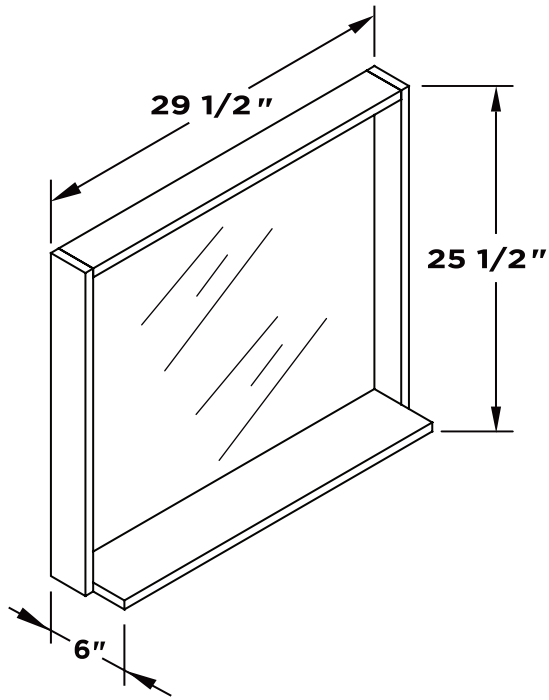
Cabinet	(FCB8130)	PAGE 3
Sink	(FVS8130)	PAGE 3
Mirror.....	(FMR8130)	PAGE 2



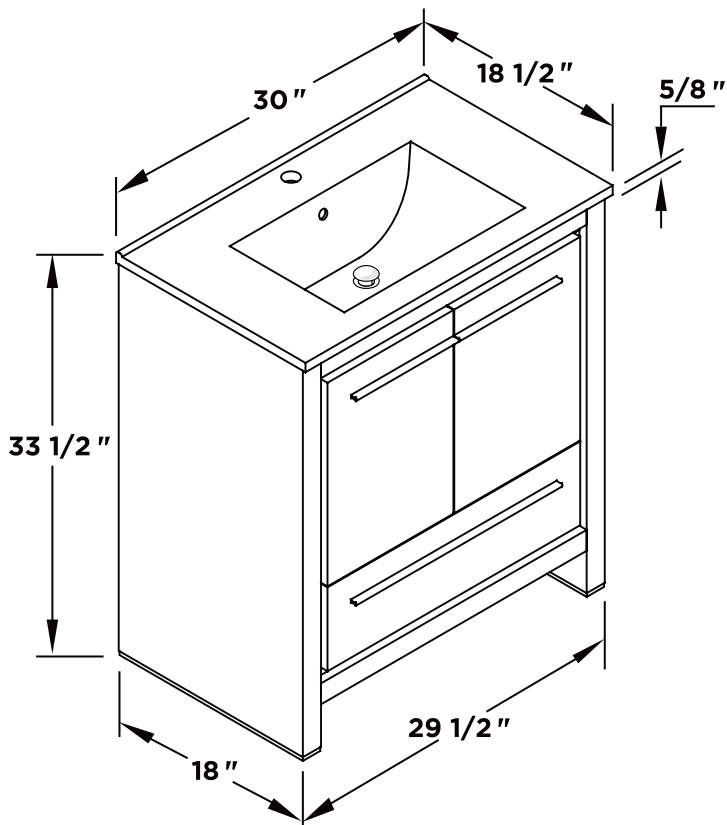
FVN8130 ALLIER INSTALLATION GUIDE



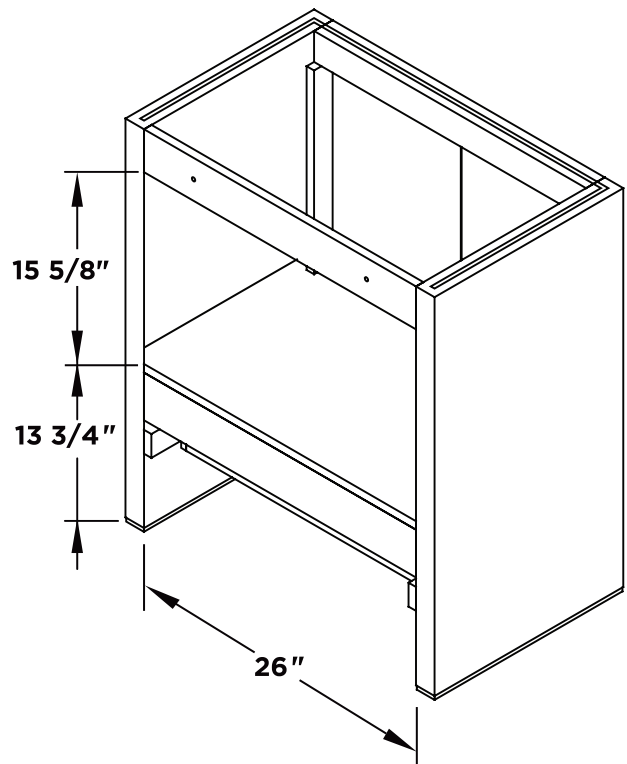
Mirror



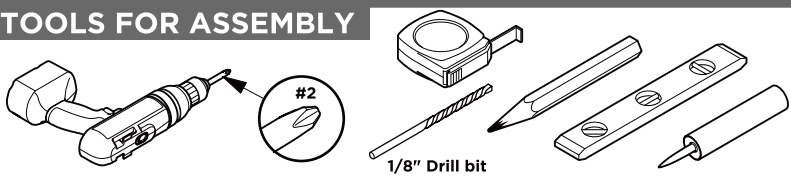
Vanity Front



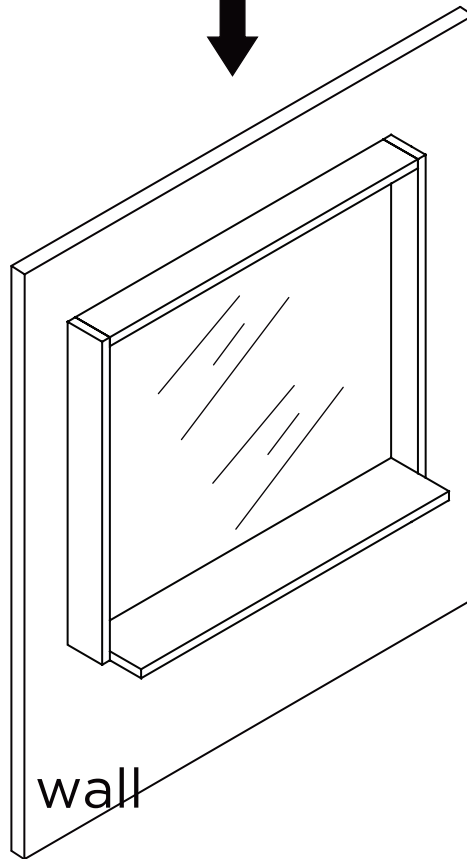
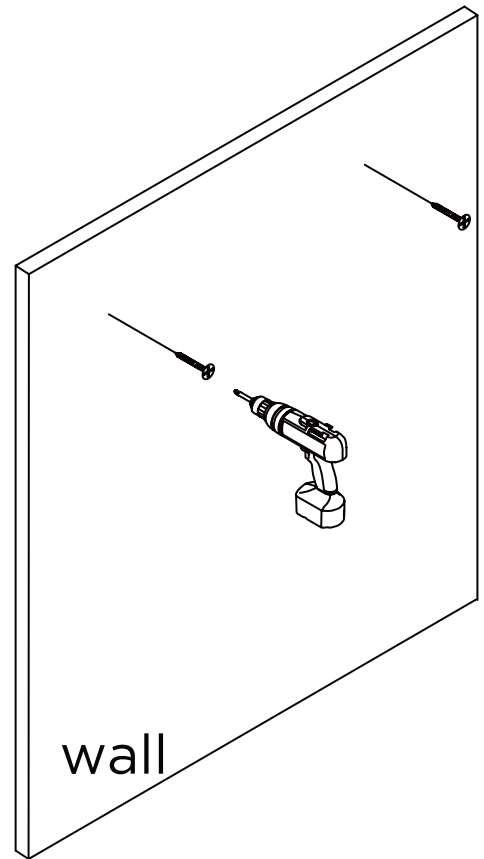
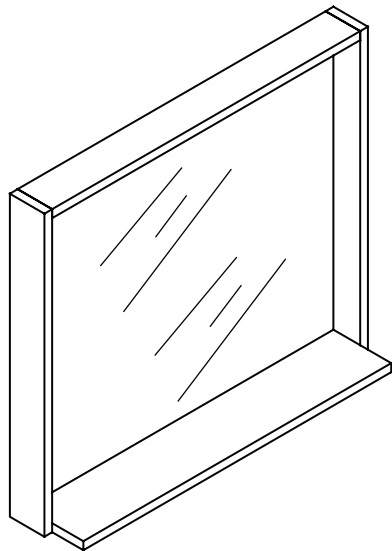
Vanity Back



TOOLS FOR ASSEMBLY

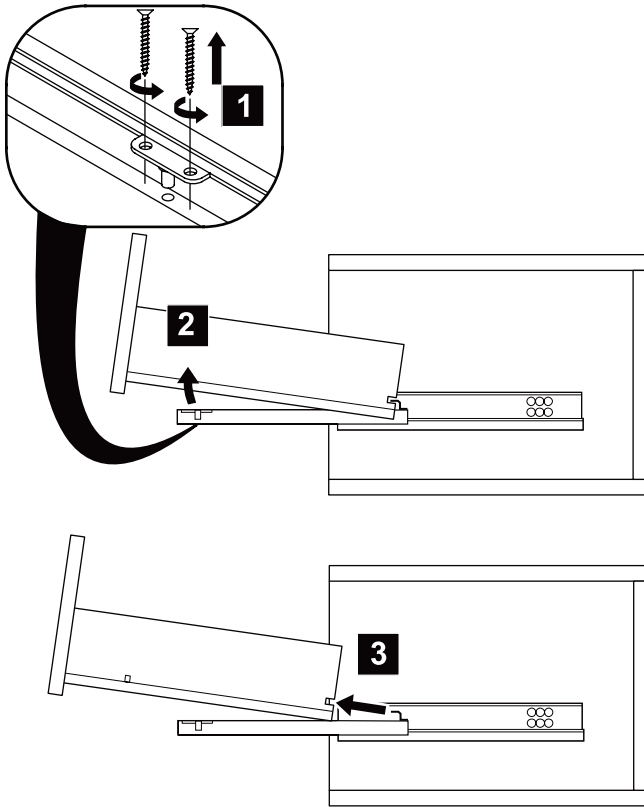


MIRROR INSTALLATION

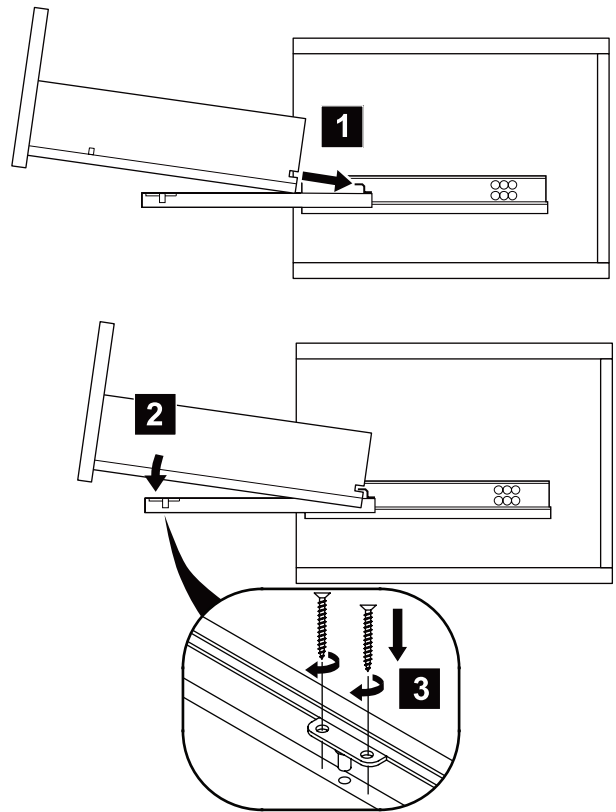


DRAWER REMOVAL & INSTALLATION

REMOVAL



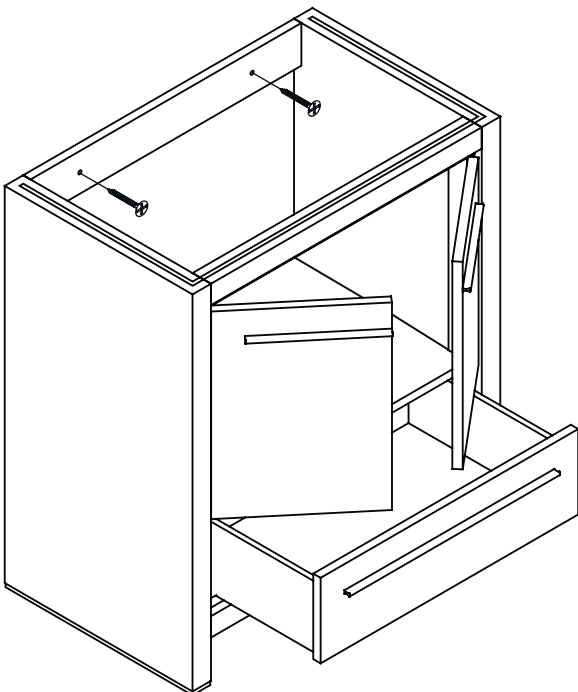
INSTALLATION



1

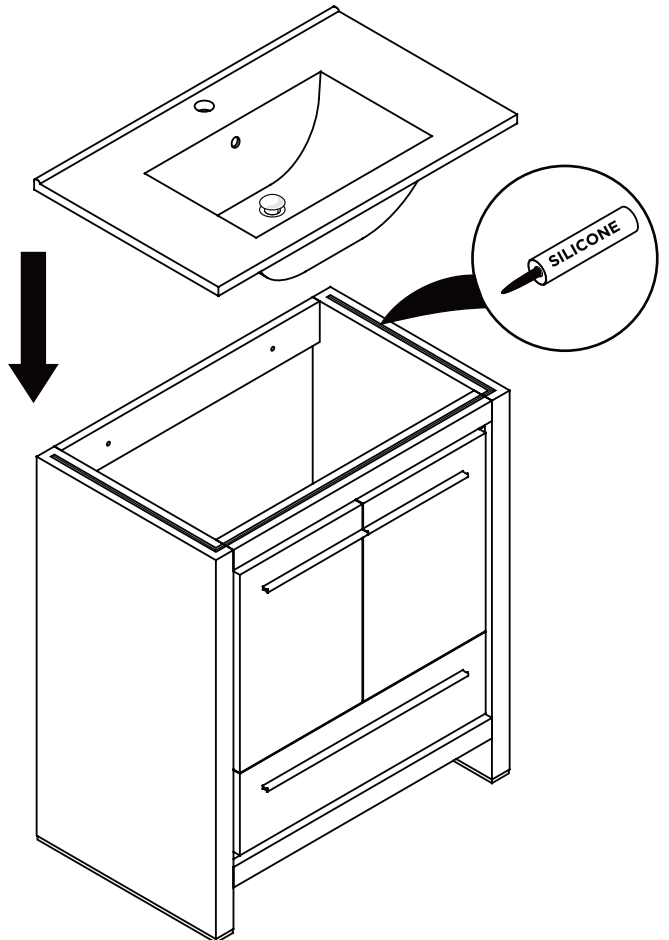
Remove drawer and open the door

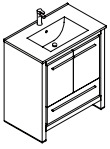
IMPORTANT: Consult an expert for the proper screws/bolts to use when attaching to various wall constructions. Screws provided do not attach to all wall construction types.



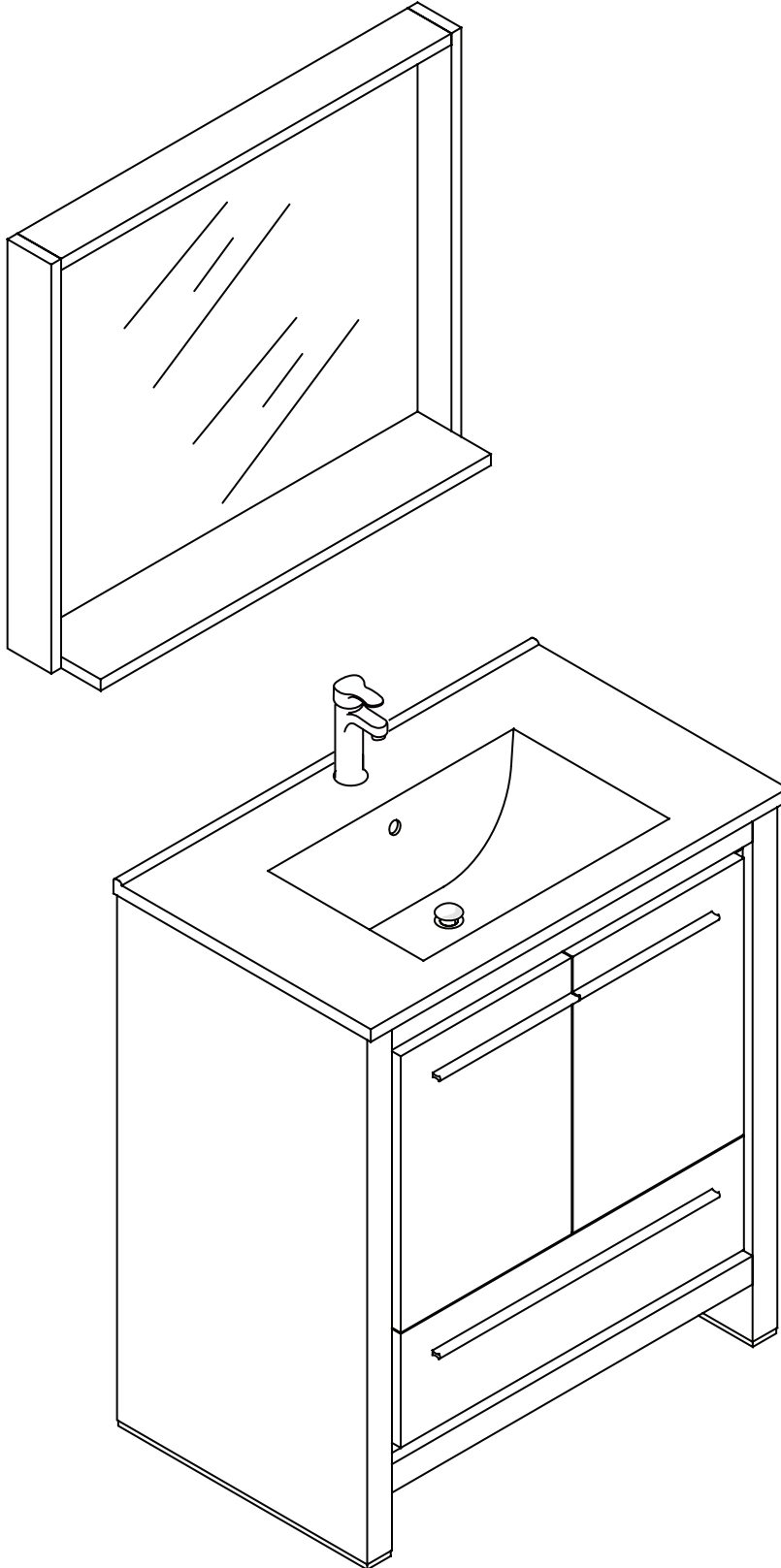
2

Install top panel





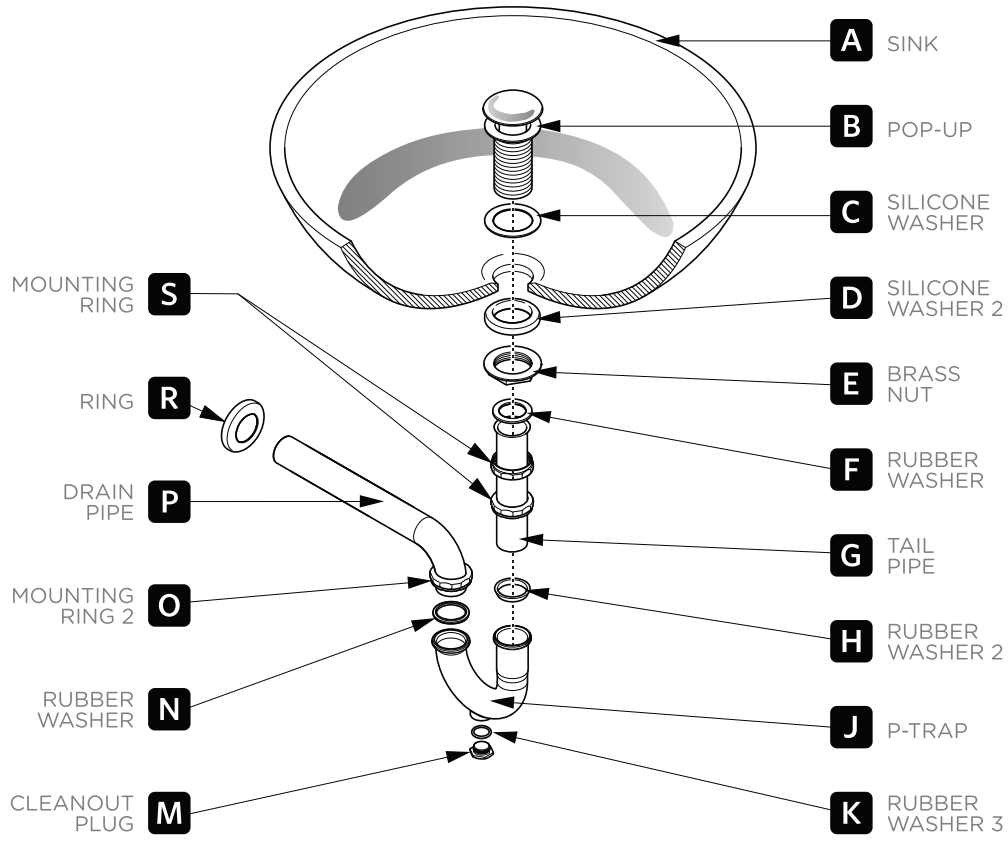
FVN8130 ALLIER INSTALLATION GUIDE



P-TRAP & POP-UP

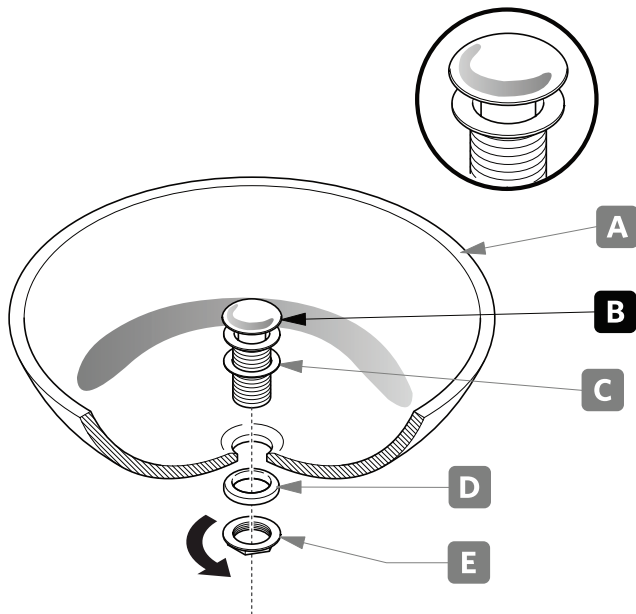
INSTALLATION INSTRUCTIONS

Your item may appear slightly different from the illustration.



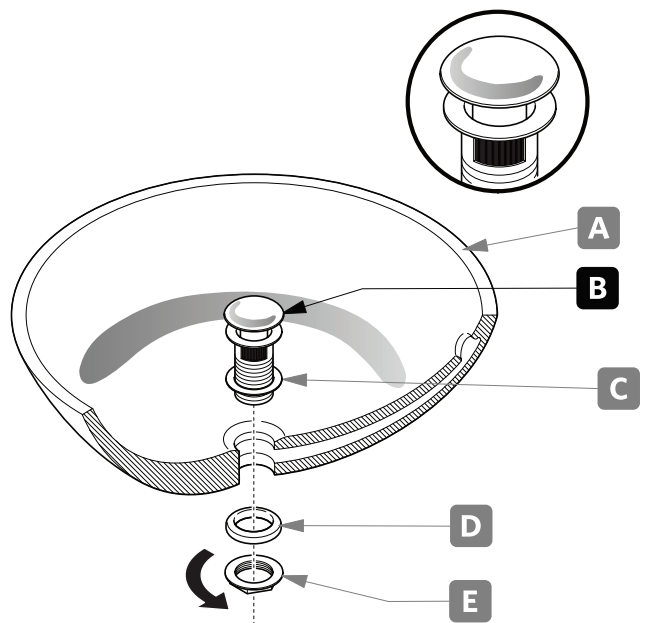
POP-UP INSTALLATION

FOR SINKS WITHOUT OVERFLOW



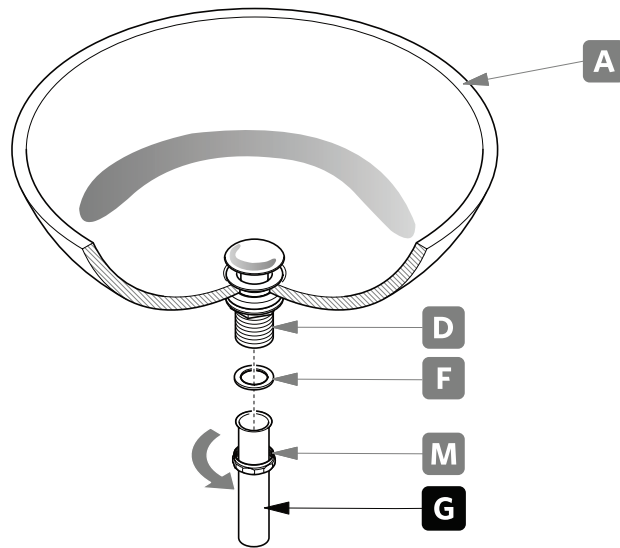
OR

FOR SINKS WITH OVERFLOW



P-TRAP INSTALLATION

1. Install tail pipe (G).



2. Install P-trap (J).

