

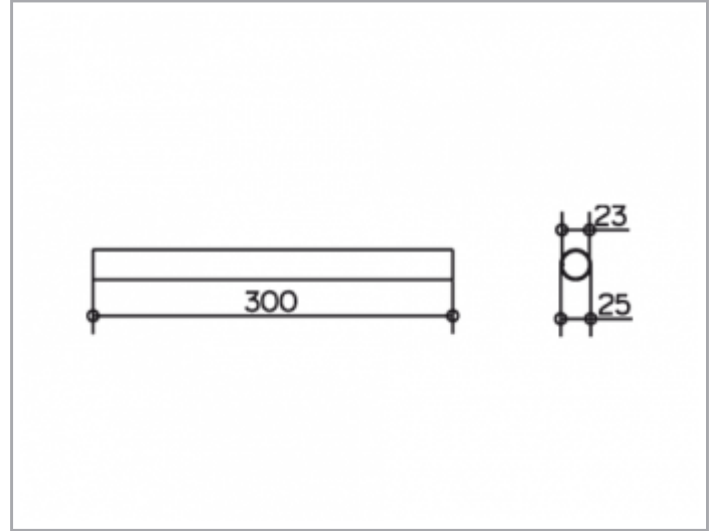
Plan

14930010300 Shower curtain rail

PRODUCT



DRAWING



Product attributes

(also useful as ceiling support)

SURFACE

chrome-plated

DIMENSION

300 mm

SPECIFICATIONS

KEUCO PLAN shower curtain rail. 14930010300.
chrome-plated shower curtain rail. diameter 25 mm.
300 mm long. also useful as ceiling support