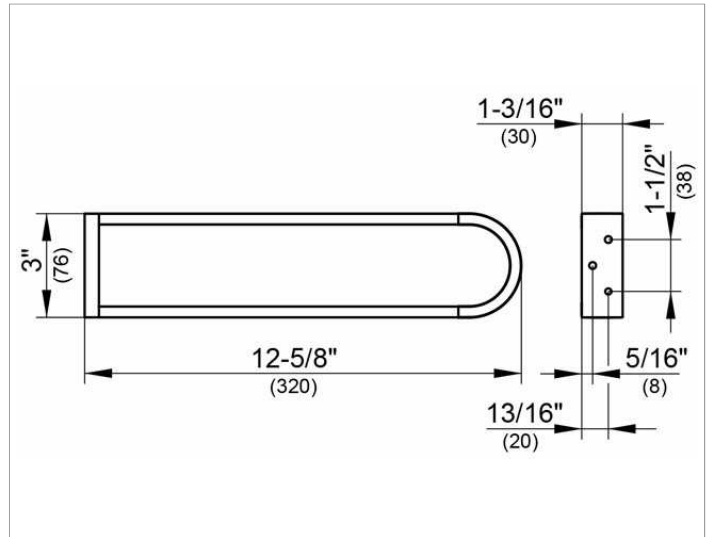


Edition 300
30019010000 Towel holder

PRODUCT



DRAWING



PRODUCT ATTRIBUTES

fixed

SURFACE

chrome-plated

DIMENSION

12,6 "

SPECIFICATIONS

KEUCO EDITION 300 towel holder 30019010000
 chrome-plated towel holder in an aesthetic and classic design
 two parallel arranged fixed arms
 anti static, easy to clean,
 projection: 12-5/8"
 The towel holder is fitted with two hidden fixing points
 2 wall plugs, Fischer FU 1/4" x 1-3/4" and 2 wall screws are supplied

Warranty: KEUCO products are covered by a 5-year manufacturer's warranty, in effect from the date of purchase. During this time, proven product defects will be remedied free of charge. Warranty claims must be filed in writing, including a detailed description of the defect immediately after a defect has occurred. For a copy of our detailed product warranty policy, please contact us at office-usa@keuco.com.
Installation: KEUCO products must be installed by a qualified professional in accordance with the respective installation guidelines and any applicable federal / local building codes and regulations.