

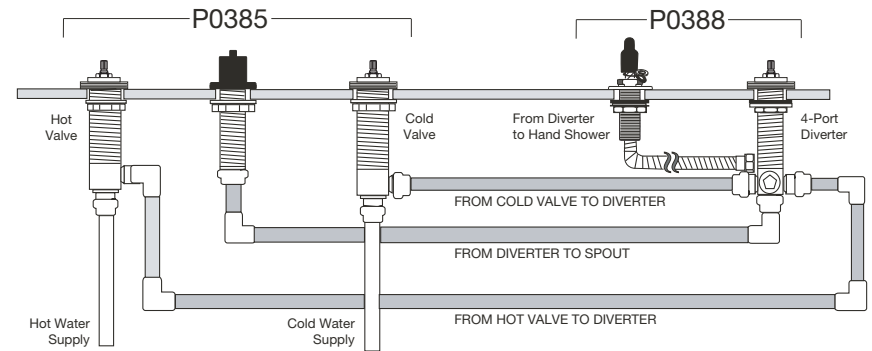
**KEEP THIS INSTRUCTION BOOKLET FOR FUTURE REFERENCE**

Important : Please register your product online at [www.santecfaucet.com](http://www.santecfaucet.com) within 30 days of purchase. Santec reserves the right to request additional documents before servicing warranty requests.

## Hand Held Shower Trim

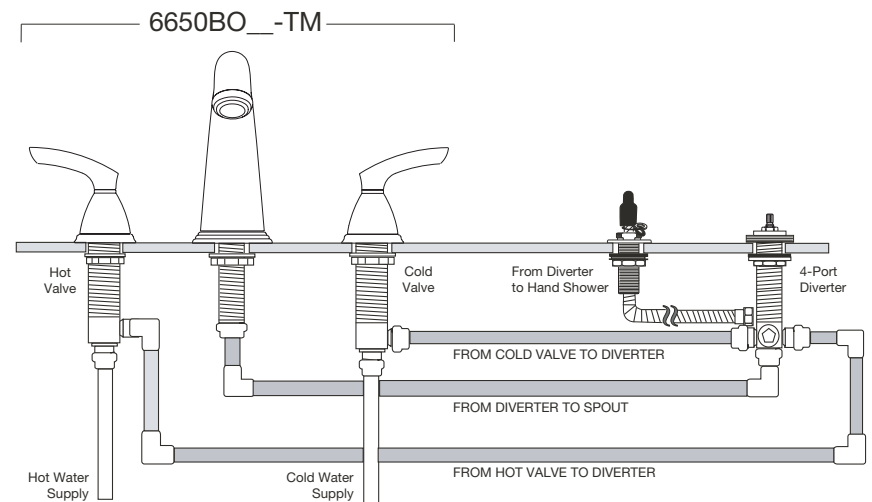
### 1. Rough Installation

MAKE SURE THE ROUGH-IN IS PROPERLY INSTALLED FOR THE ROMAN TUB FILLER (P0385) AND HAND HELD SHOWER (P0388). DO NOT REMOVE THE PROTECTIVE CAPS PRIOR TO TRIM INSTALLATION.



### 2. Roman Tub Filler Trim Installation

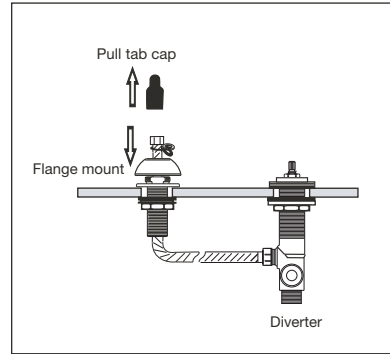
THIS HAND HELD SHOWER UNIT IS TO BE INSTALLED WITH THE MATCHING ROMAN TUB FILLER TRIM UNIT. FOR THE ROMAN TUB FILLER TRIM INSTALLATION REFER TO 6650BO\_-TM INSTALLATION INSTRUCTIONS.



# Hand Held Shower Trim

## 3. Installation

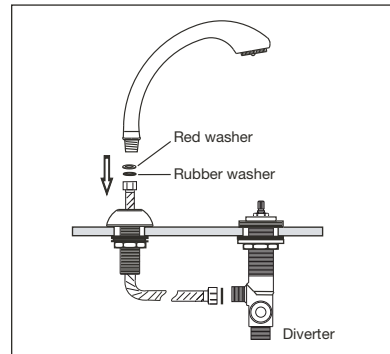
- A** Slip the flange through the hose and screw it onto the shower flange mount.



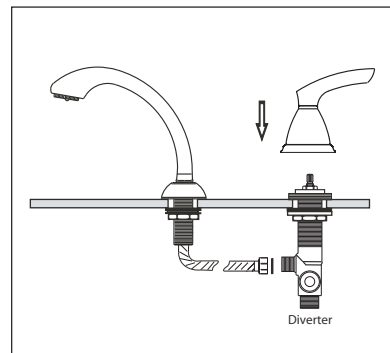
- B** Take off the slip tab cap.

Take off the rubber band with rubber washers and red washers. **MAKE SURE THAT THE HOSE DOES NOT FALL INTO THE FLANGE MOUNT.**

Install the hand held shower unit with the rubber washers and the red washers onto the hose.



- C** Screw the handle trim onto the diverter's base ring. Make sure the handle lever is aligned properly.



# Hand Held Shower Trim

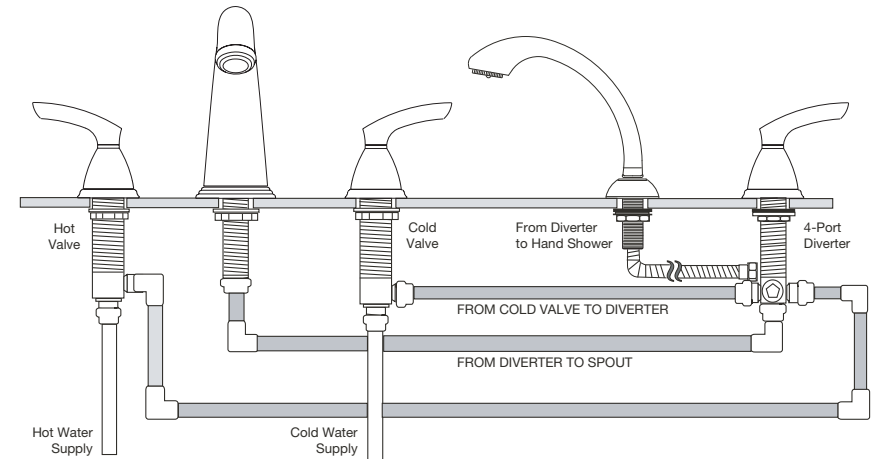
## 4. Water Test & Flush the Line

After all the connections have been made, remove the spout's aerator housing, basket, and washer.

Turn on the water on both hot and cold sides and flush the lines for 45 seconds.

Turn off the water and reinsert the washer, basket, and housing.

Turn on the water and check for leaks at all joints. If water leaks from any of the connections tighten the connection until the leakage stops.



LAYOUT OF COMPLETELY INSTALLED ROMAN TUB FILLER WITH HAND HELD SHOWER



## SANTEC LIFETIME LIMITED WARRANTY

1. **Finishes:** Santec Polished Chrome, Polished Nickel and Satin Nickel finishes carry a Lifetime Limited warranty against manufacturing defects and tarnish to the original purchaser with the exclusion of kitchen drain assemblies which, due to the nature of their use, are not warranted. Santec recommended custom finishes carry a ten (10) years limited warranty against manufacturing defects and tarnish to the original purchaser with the exclusion of kitchen and pop-up drain assemblies which, due to the nature of their use, are not warranted. Kitchen products carry a three (3) year limited warranty.
2. **Cartridges:** Santec Cartridges carry a lifetime limited warranty against manufacturing defects for the life of the product to the original purchaser.
3. **Parts:** Santec parts carry a ten (10) year limited warranty against manufacturing defects, to the original purchaser. Kitchen products carry a five (5) year limited warranty.
4. **Warranty exclusions and limitations:** This warranty does not cover: damage due to negligence, accident, abuse, improper installation, or improper maintenance such as, but not limited to: heat from soldering during installation, the use of plumbers putty, damage from tools used during installation, the use or exposure to chemicals or cleaning products either abrasive or non abrasive or the use of any cleaning tool or product other than a soft, clean cloth. Pop-up assemblies are not covered under warranty. This warranty does not cover: changes in the finish or in the product due to normal wear or aging and does not cover any products or parts which have been altered or used in a manner not typical for the product. This warranty does not cover and Santec will not be held liable for damage to products caused by the freight carrier and a claim should be made immediately to the freight carrier should this occur. This warranty does not cover any cost involved in the installation, repair, or replacement of any Santec product or part. This warranty does not cover and Santec will not be held liable for any loss, damages, or expenses, incidental or consequential whatsoever, originating from the purchase, installation, use, repair, failure, or replacement of any Santec product or part, as allowed by law. The product or components of the covered product will either be repaired, refinished or replaced, at the sole discretion of Santec. Santec reserves the right to examine any product claimed defective prior to any warranty claim being accepted or processed, at its sole discretion. This warranty gives you specific legal rights and you may have other rights which may vary from state to state.

Effective 01/01/09 - Replaces and supersedes any previously issued warranty

### FINISH CARE INFORMATION

For clear coated or enamel color finishes:

We recommend that all faucets, drains, etc be gently wiped dry with a soft cloth after use to avoid water spotting and water deposit buildup. A mild liquid hand soap, such as Ivory may be used occasionally if desired. Use of non-abrasive carnauba wax will add protection to the finish and should be used if the faucets will not be dried after use.

For non-clear coated and specialty finishes:

We recommend that all faucets, drains, etc be gently wiped dry with a soft cloth after use to avoid water spotting and water deposit buildup. Use of a non-abrasive carnauba wax is required occasionally.

PLEASE REGISTER YOUR PRODUCT ONLINE FOR WARRANTY SERVICES  
[www.santecfaucet.com/registration](http://www.santecfaucet.com/registration)