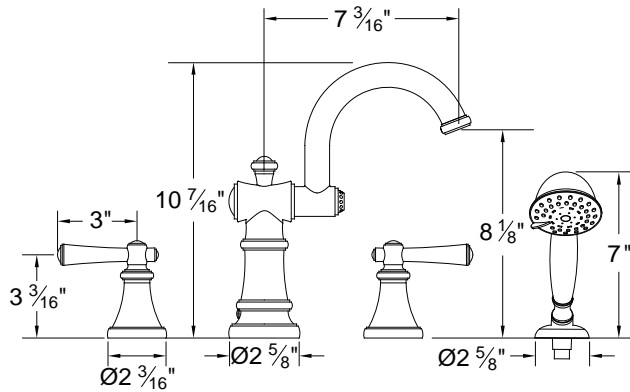


VOGUE COLLECTION ROMAN TUB FILLER SET & HAND HELD SHOWER WITH "VO" HANDLES

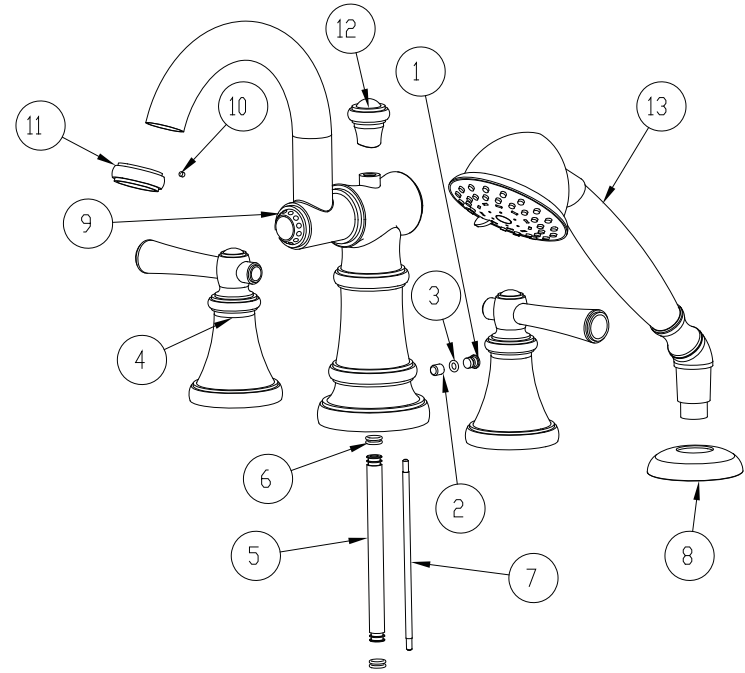
MODEL: 6555VO10-TM
6555VO__-TM



KEEP THIS INSTRUCTION BOOKLET FOR FUTURE REFERENCE

Important : Please register your product online at www.santecfaucet.com within 30 days of purchase. Santec reserves the right to request additional documents before servicing warranty requests.

PARTS BREAKDOWN



#	DESCRIPTION	PART #	#	DESCRIPTION	PART #
1	Cover Plug *	P0257-00	8	Flange *	HS-203-00
2	Set Screw	PM-024	9	R/T Spout Tube & Base *	PS-5VO00D-U-1
3	O-ring	PM-445	10	Set Screw	PM-056
4	R/T Handle Assembly *	RT-VO	11	Decorative Lip *	PS-5VO00-U-6-00
5	Diverter Sleeve Rod	PS-5VO00-U-7	12	Diverter Lift Knob *	PS-5VO00-U-5-00
6	O-ring	PM-017	13	R/T Hand Held *	PS600SRT
7	Diverter Rod	PS-5VO00-U-9-00			

* Please specify the finish when ordering the part.

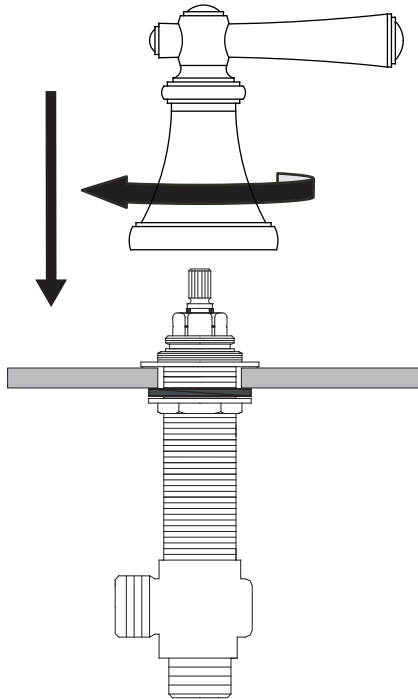
HANDLE

Handle Trim Installation

NOTE: In the off positions the “Hot” handle lever (left) should be in the 9 O’clock” position, and the “Cold” handle lever (right) should be in the 3 O’clock” position. In the “ON” positions the levers should both turn towards you, not away from you.

Fit the handle down onto the installed valve body making sure that the handle levers are in the proper position.

While holding the handle in place, turn the escutcheon clockwise onto the valve body until tightened down securely.



SPOUT

Spout Trim Installation

Screw the insert rod into the threaded area of the spout shank head (see Figure A).

IMPORTANT: Tighten the insert rod using the following steps: 1) Pull fitted lift rod up and use set of pliers to grip the base of the insert rod assembly that is connected with the valve. 2) Once held in place, twist the insert rod clockwise until it is firmly secured to the valve.

Slip the insert tube over the insert rod and fit it into the head of the spout shank (see Figure B).

Figure A

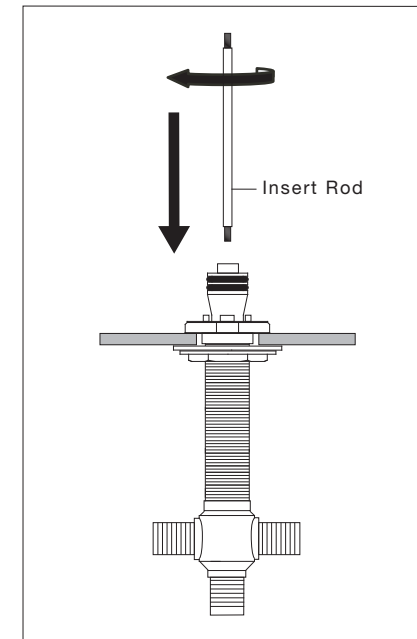
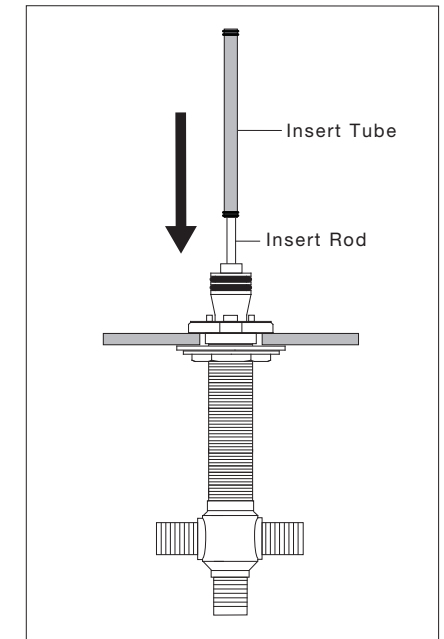


Figure B



SPOUT

Spout Trim Installation

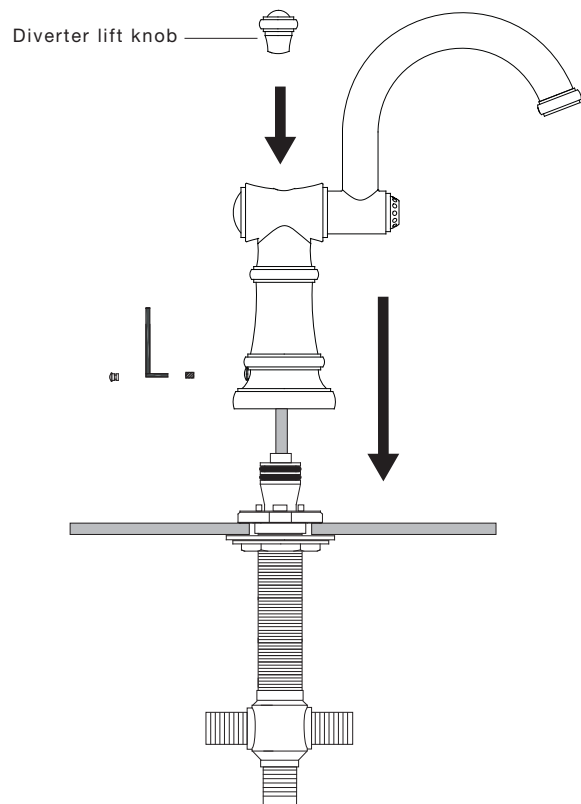
Slip the spout over the insert tube and onto the quick connect shank top.

Align the spout and tighten the set screw with the Allen key provided.

Insert plug into the set screw hole of the spout.

Screw down diverter lift knob onto the diverter knob until secure.

NOTE: If trim comes later than the roughs, please keep the shank protector on the spout shank at all times to avoid damages to the unit.

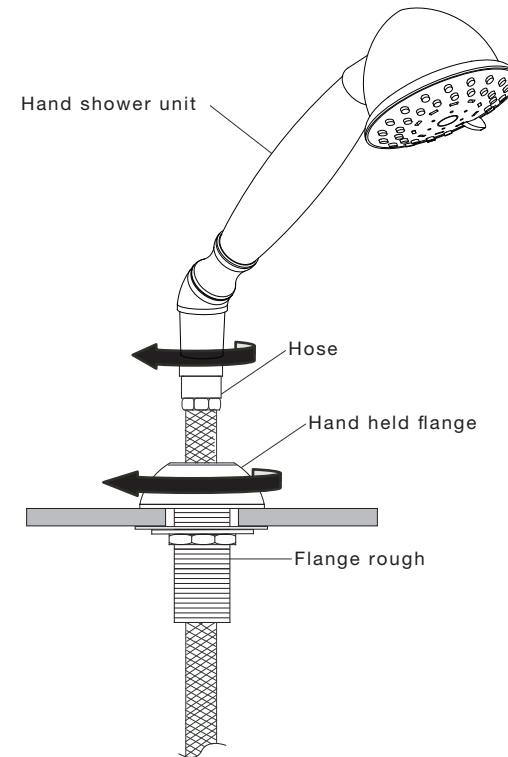


HAND SHOWER

Hand Shower Trim Installation

Tighten the hand held flange onto the flange rough.

Remove the protective cap off of the hose and connect and tighten the hose to the hand shower unit.





SANTEC LIFETIME LIMITED WARRANTY

1. Finishes: Santec Polished Chrome, Polished Nickel and Satin Nickel finishes carry a Lifetime Limited warranty against manufacturing defects and tarnish to the original purchaser with the exclusion of kitchen drain assemblies which, due to the nature of their use, are not warranted. Santec recommended custom finishes carry a ten (10) years limited warranty against manufacturing defects and tarnish to the original purchaser with the exclusion of kitchen and pop-up drain assemblies which, due to the nature of their use, are not warranted. Kitchen products carry a three (3) year limited warranty.
2. Cartridges: Santec Cartridges carry a lifetime limited warranty against manufacturing defects for the life of the product to the original purchaser.
3. Parts: Santec parts carry a ten (10) year limited warranty against manufacturing defects, to the original purchaser. Kitchen products carry a five (5) year limited warranty.
4. Warranty exclusions and limitations: This warranty does not cover: damage due to negligence, accident, abuse, improper installation, or improper maintenance such as, but not limited to: heat from soldering during installation, the use of plumbers putty, damage from tools used during installation, the use or exposure to chemicals or cleaning products either abrasive or non abrasive or the use of any cleaning tool or product other than a soft, clean cloth. Pop-up assemblies are not covered under warranty. This warranty does not cover: changes in the finish or in the product due to normal wear or aging and does not cover any products or parts which have been altered or used in a manner not typical for the product. This warranty does not cover and Santec will not be held liable for damage to products caused by the freight carrier and a claim should be made immediately to the freight carrier should this occur. This warranty does not cover any cost involved in the installation, repair, or replacement of any Santec product or part. This warranty does not cover and Santec will not be held liable for any loss, damages, or expenses, incidental or consequential whatsoever, originating from the purchase, installation, use, repair, failure, or replacement of any Santec product or part, as allowed by law. The product or components of the covered product will either be repaired, refinished or replaced, at the sole discretion of Santec. Santec reserves the right to examine any product claimed defective prior to any warranty claim being accepted or processed, at its sole discretion. This warranty gives you specific legal rights and you may have other rights which may vary from state to state.

Effective 01/01/09 - Replaces and supersedes any previously issued warranty

FINISH CARE INFORMATION

For clear coated or enamel color finishes:

We recommend that all faucets, drains, etc be gently wiped dry with a soft cloth after use to avoid water spotting and water deposit buildup. A mild liquid hand soap, such as Ivory may be used occasionally if desired. Use of non-abrasive carnauba wax will add protection to the finish and should be used if the faucets will not be dried after use.

For non-clear coated and specialty finishes:

We recommend that all faucets, drains, etc be gently wiped dry with a soft cloth after use to avoid water spotting and water deposit buildup. Use of a non-abrasive carnauba wax is required occasionally.

PLEASE REGISTER YOUR PRODUCT ONLINE FOR WARRANTY SERVICES
www.santecfaucet.com/registration