



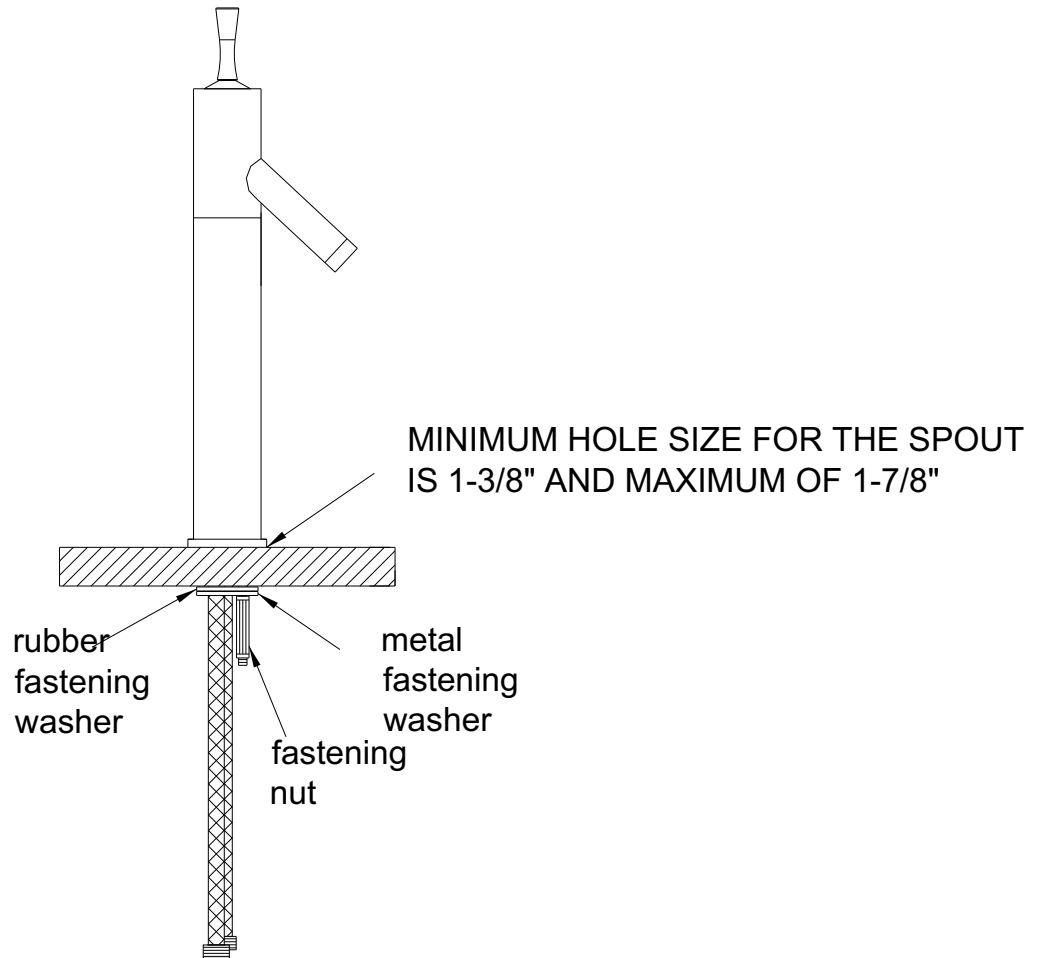
COLLECTION

EXTENDED SINGLE CONTROL LAV SET

This is a general installation instruction for the following collections:

- * CAPRIE
- * MONZA
- * DOME

PLEASE READ THE INSTRUCTIONS COMPLETELY BEFORE BEGINNING THE INSTALLATION.



*** NOTE: SHUT OFF WATER SUPPLY BEFORE BEGINNING INSTALLATION***

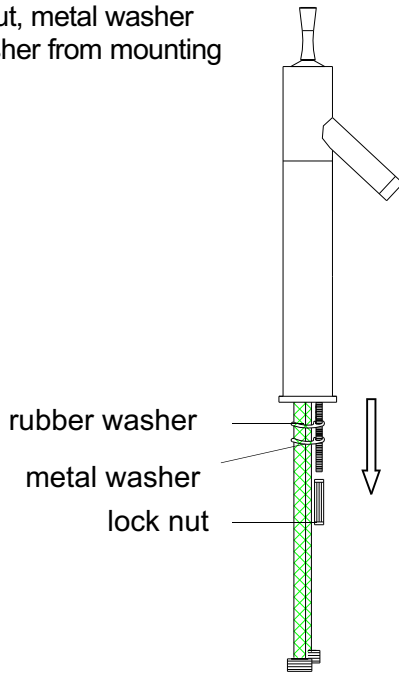
INSPECTED BY _____

KEEP THIS INSTRUCTION BOOKLET FOR FUTURE REFERENCE

SPOUT INSTALLATION

Step 1

Remove lock nut, metal washer and rubber washer from mounting rods.

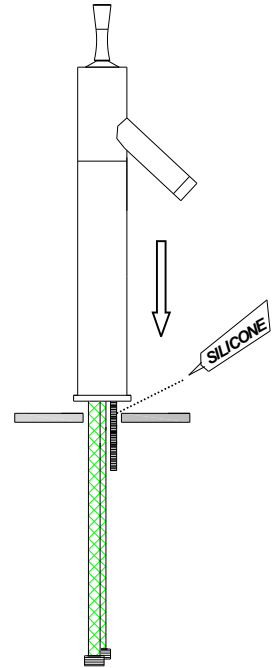


Step 2

Apply a ring of silicone caulking around hole designated for spout.

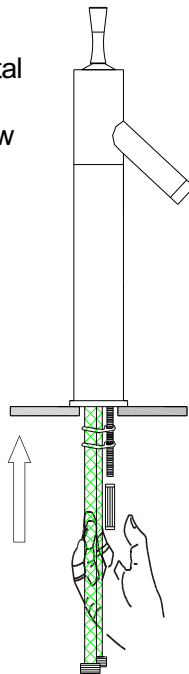
DO NOT USE PLUMBERS' PUTTY WHICH CAN DAMAGE FINISH.

Insert faucet assembly through hole in sink or counter top, being sure to center faucet in hole.



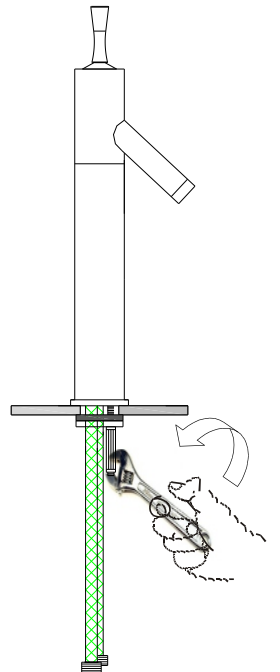
Step 3

Reinstall rubber gasket and metal washer from below. Hand tighten lock nut from below while aligning fixture.



Step 4

Secure fixture from below by using either an adjustable wrench, basin wrench or deep socket to the lock nut. Connect fixture to water supplies.



NOTE.

Before opening supply valves, remove aerator! Slowly open water supplies to flush fixture of any debris and reinstall aerator prior to using fixture. Debris present in the line will damage fixture and cause leaking. Failure to flush fixture could result in possibly voiding warranty.



SANTEC LIFETIME LIMITED WARRANTY

- 1. Finishes:** Santec **Polished Chrome, Polished Orobrass and Satin Nickel** finishes carry a **Lifetime Limited** warranty against manufacturing defects and tarnish to the original purchaser with the exclusion of kitchen drain assemblies which, due to the nature of their use, are not warranted. Santec **recommended custom finishes** carry a ten (10) years limited warranty against manufacturing defects and tarnish to the original purchaser with the exclusion of kitchen and pop - up drain assemblies which, due to the nature of their use, are not warranted.
- 2. Cartridges:** Santec Cartridges carry a lifetime limited warranty against manufacturing defects for the life of the product to the original purchaser.
- 3. Parts:** Santec parts carry a Ten (10) year limited warranty against manufacturing defects, to the original purchaser.
- 4. Warranty exclusions and limitations :** This warranty does not cover: damage due to negligence, accident, abuse, improper installation, or improper maintenance such as, but not limited to: heat from soldering during installation, the use of plumbers putty, damage from tools used during installation, the use or exposure to chemicals or cleaning products either abrasive or non abrasive or the use of any cleaning tool or product other than a soft, clean cloth. This warranty does not cover: changes in the finish or in the product due to normal wear or aging and does not cover any product or parts which have been altered or used in a manner not typical for the product. **This warranty does not cover and Santec will not be held liable for damage to products caused by the freight carrier and a claim should be made immediately to the freight carrier should this occur.** This warranty does not cover any cost involved in the installation, repair, or replacement of any Santec product or part. This warranty does not cover and Santec will not be held liable for any loss, damages, or expenses, incidental or consequential whatsoever, originating from the purchase, installation, use, repair, failure, or replacement of any Santec product or part, as allowed by law. The product or components of the covered product will either be repaired, refinished or replaced, at the sole discretion of Santec. Santec reserves the right to examine any product claimed defective prior to any warranty claim being accepted or processed, at its sole discretion. This warranty gives you specific legal rights and you may have other rights which may vary from state to state.

Effective **10/01/03** - Replaces and supersedes any previously issued warranty.

FINISH CARE INFORMATION

For clear coated or enamel color finishes:

We recommend that all faucets, drains, etc. be gently wiped dry with a soft cloth after use to avoid water spotting and water deposit buildup. A mild liquid hand soap, such as Ivory may be used occasionally if desired. Use of a non -abrasive carnauba wax will add protection to the finish and should be used if the faucets will not be dried after use. Santec Orobrass kitchen products are clear coated.

For non-clear coated and specialty finishes:

We recommend that all faucets, drains, etc. be gently wiped dry with a soft cloth after use to avoid water spotting and water deposit buildup. Use of a non-abrasive carnauba wax is required occasionally.

Santec has obtained applicable code (standards) listings generally available on a national basis for products of this type. It is the responsibility of the installer/owner to determine specific local code compliance prior to installation of the product. Santec makes no representation or warranty regarding, and will not be responsible for any code compliance.

Some products listed in this catalog may not be approved for use in the state of Massachusetts, check with your Local Authority or Licensed Plumber to assure code compliance.