



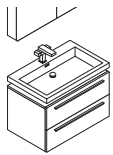
# FVN8080

# MEDIO

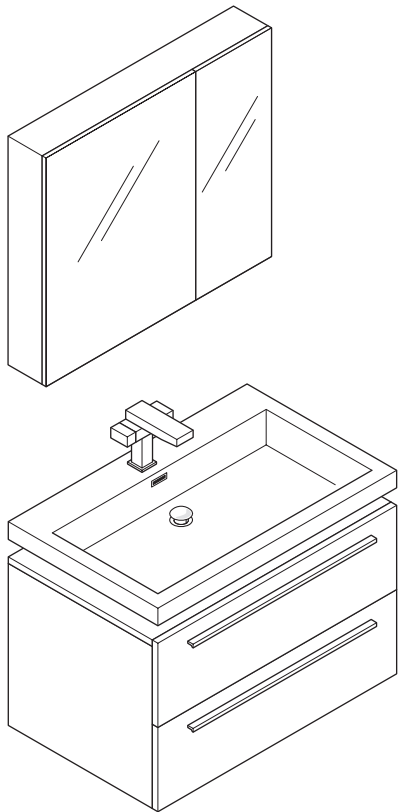
## INSTALLATION GUIDE

### CONTENTS:

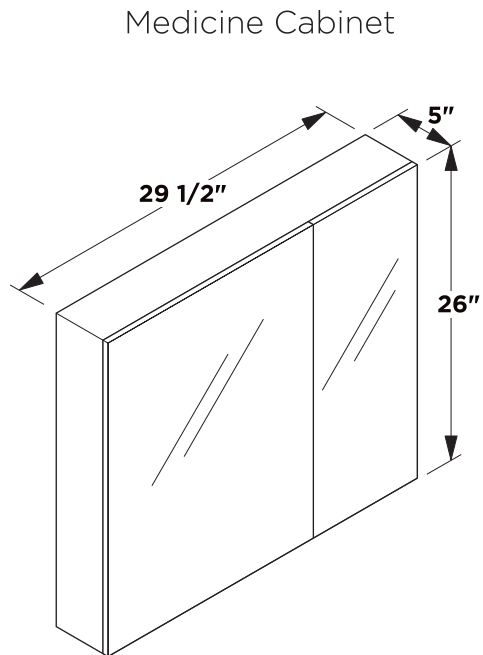
Cabinet.....(FCB8080).....	PAGE <b>3</b>
Sink.....(FVS8080).....	PAGE <b>4</b>
Med. Cabinet.....(FMC8090).....	PAGE <b>5</b>



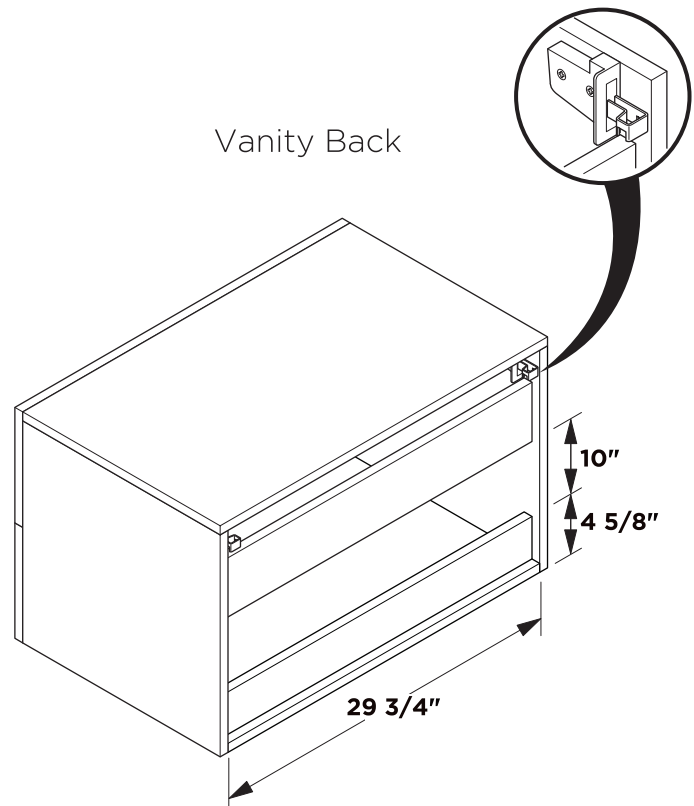
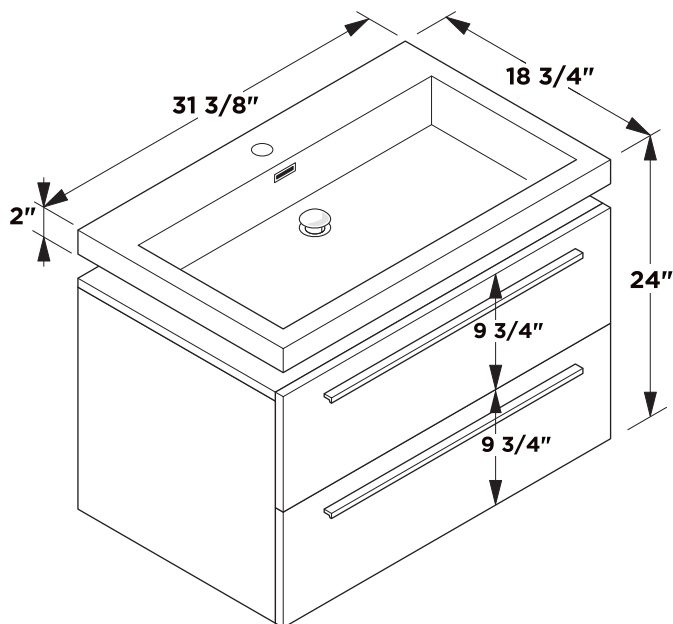
# FVN8080 MEDIO INSTALLATION GUIDE



Vanity Front

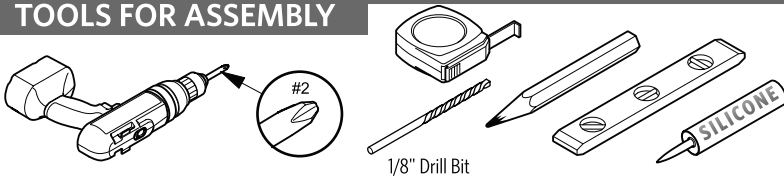


Vanity Back



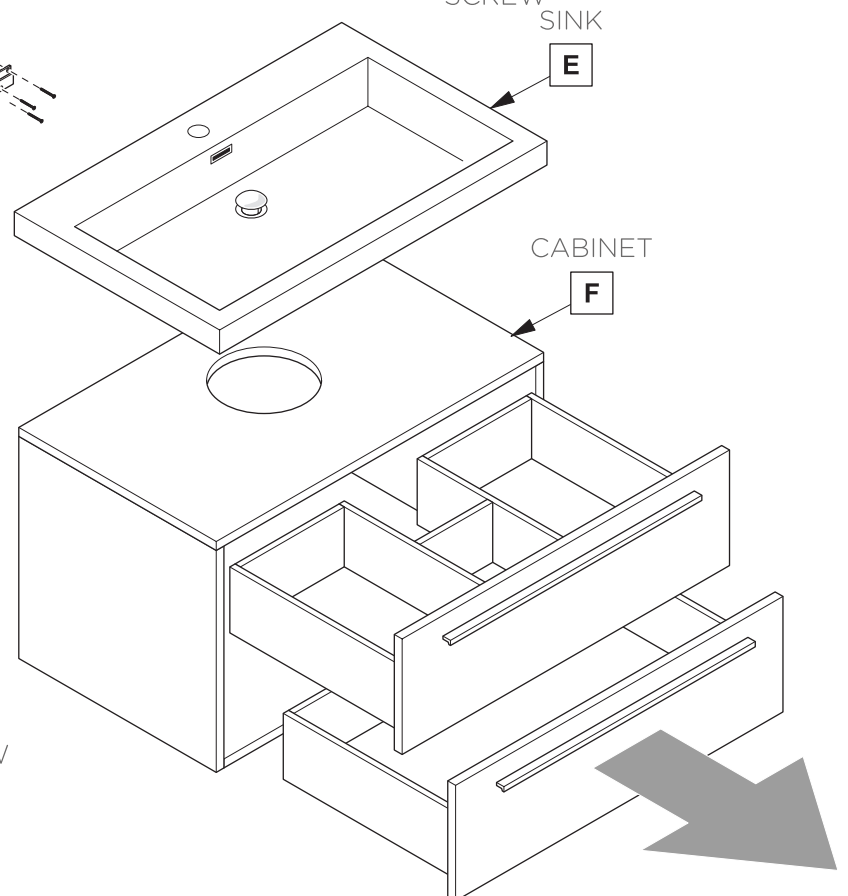
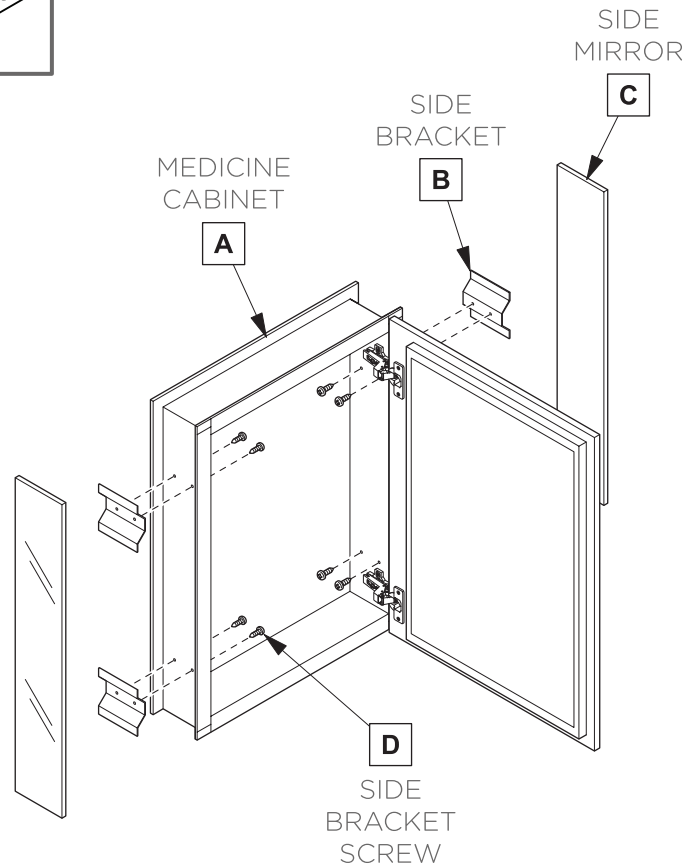
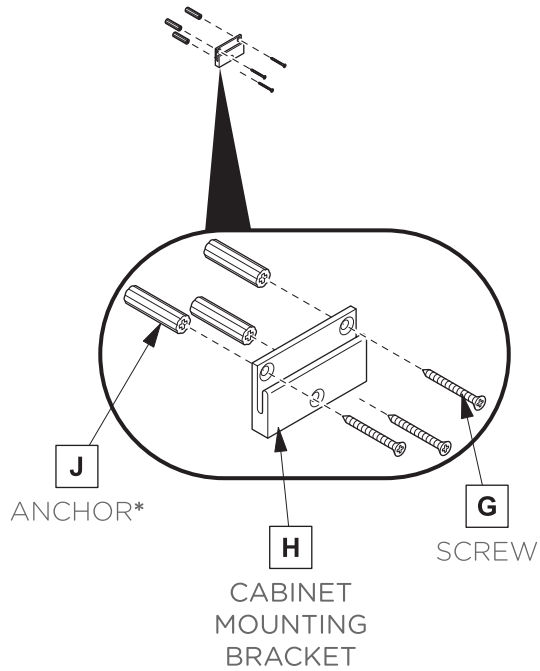
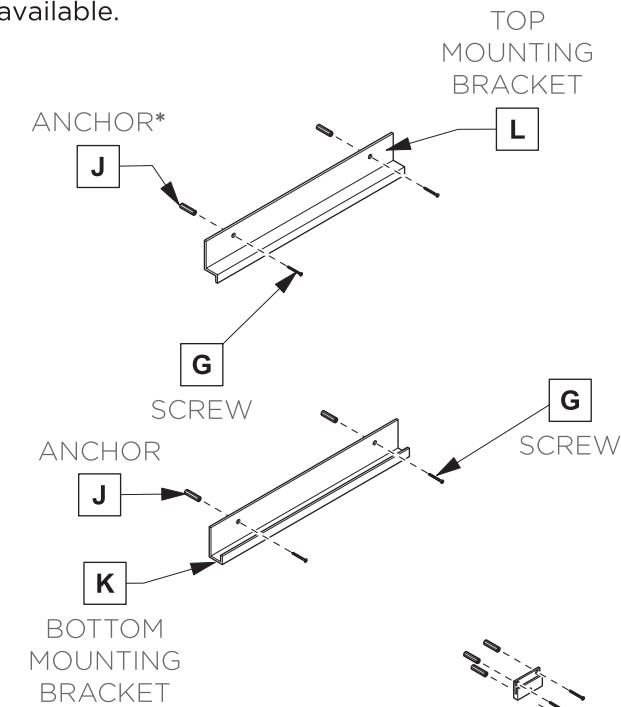
**NOTE:** ALL DIMENSIONS & SPECIFICATIONS ARE APPROXIMATE AND SUBJECT TO CHANGE WITHOUT NOTICE.

## TOOLS FOR ASSEMBLY



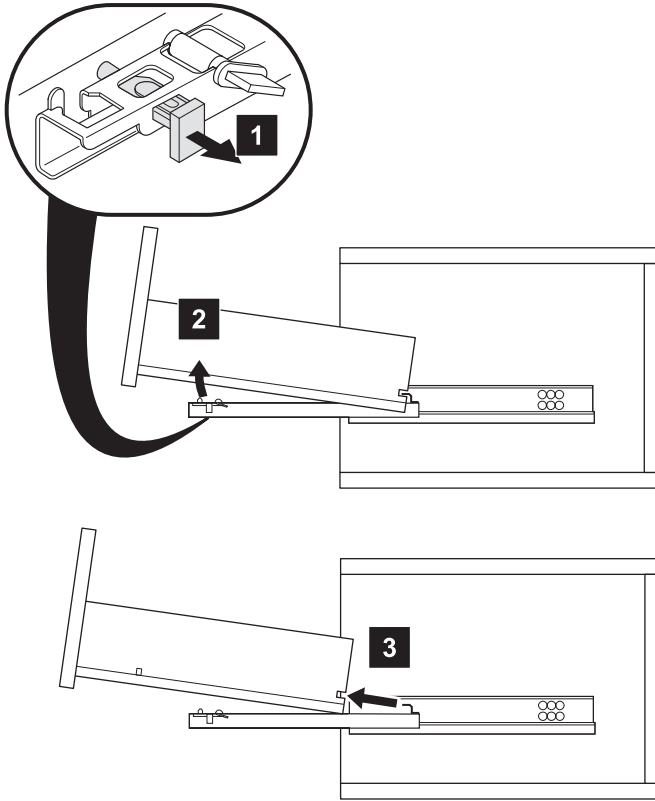
## PARTS

**\*Note:** Only use anchors (**J**) if stud (2"x4" frame) is not available.

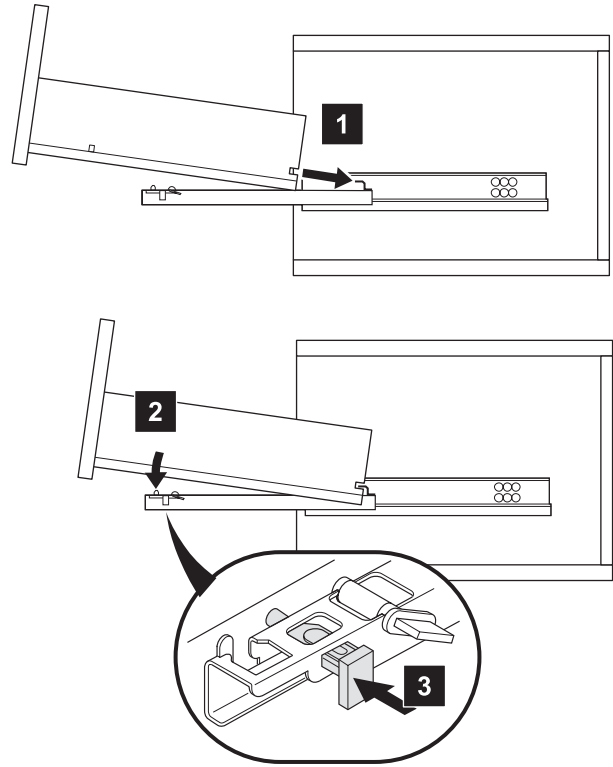


# DRAWER REMOVAL & INSTALLATION

## REMOVAL

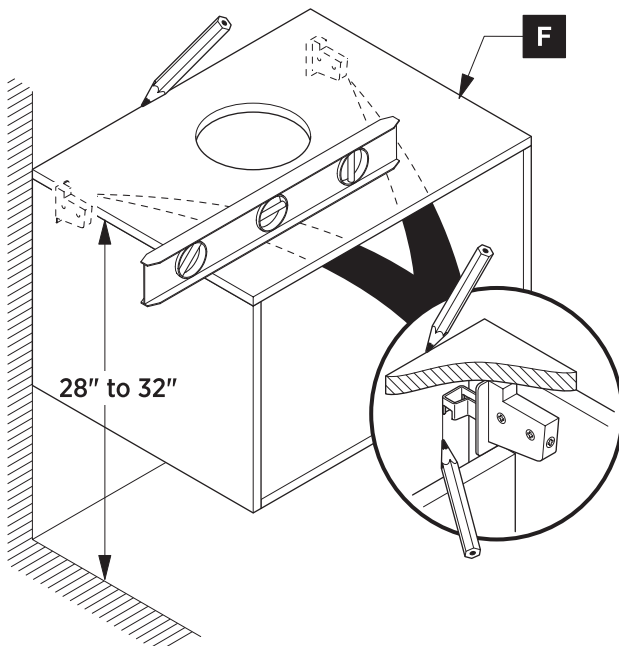
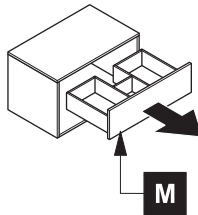


## INSTALLATION

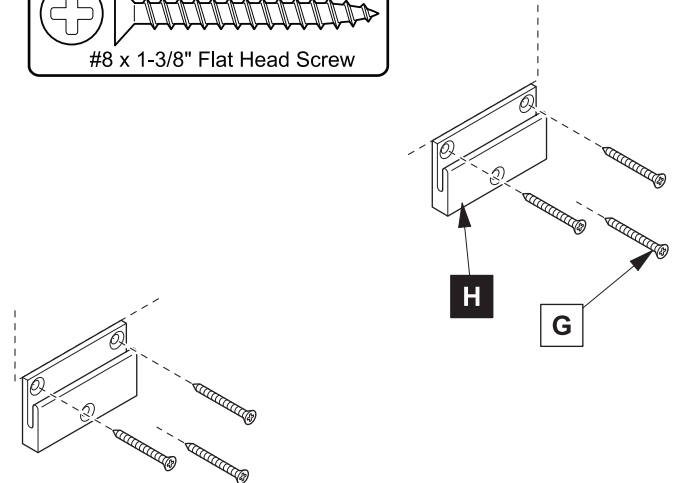
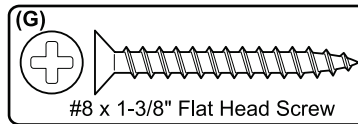


**1** Remove drawer (M)

**2** Locate cabinet (F) & mark location



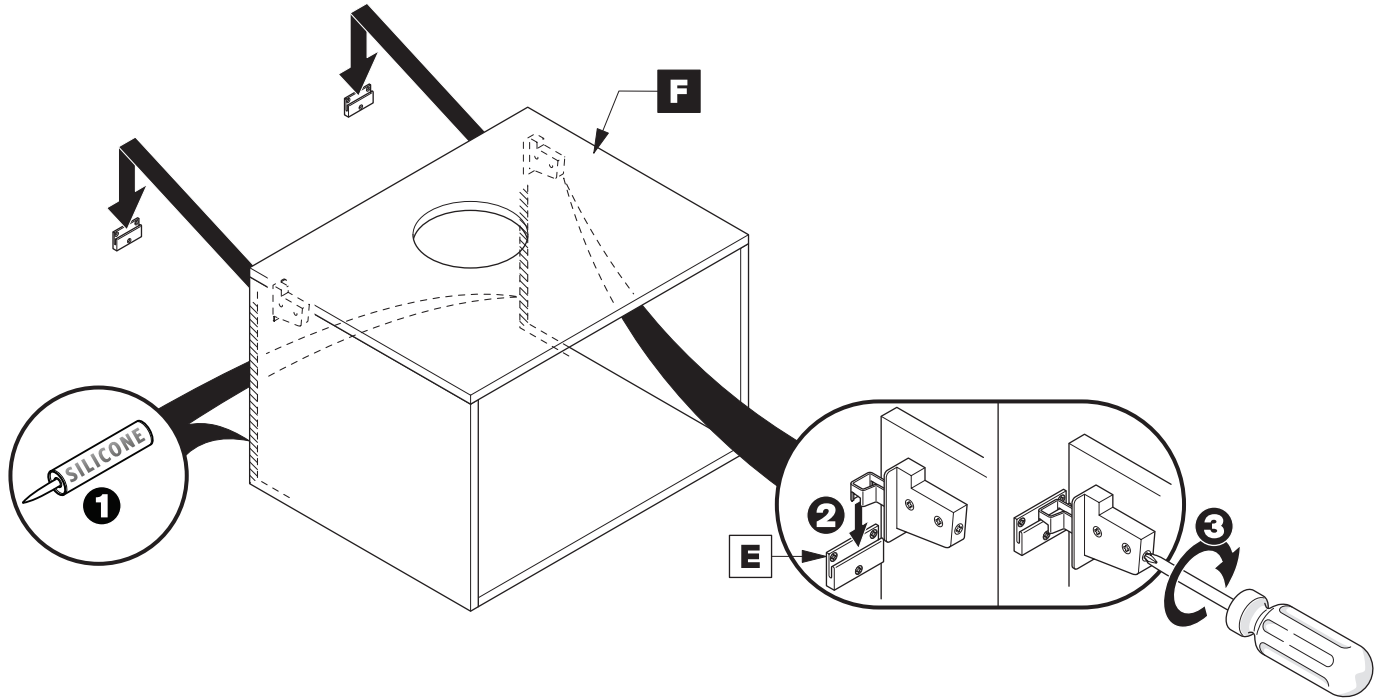
**3** Install wall brackets (H)



**NOTE:** Consult an expert for the proper screws/bolts to use when attaching to various constructions. Screws provided do not attach to all wall construction types.

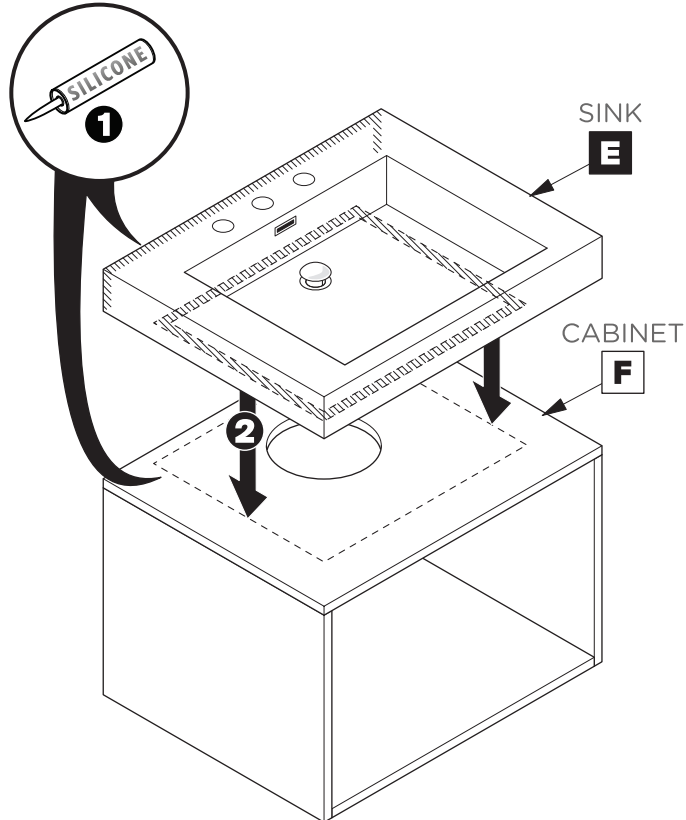
4

Apply silicone and hang cabinet (F) on the wall brackets (E).



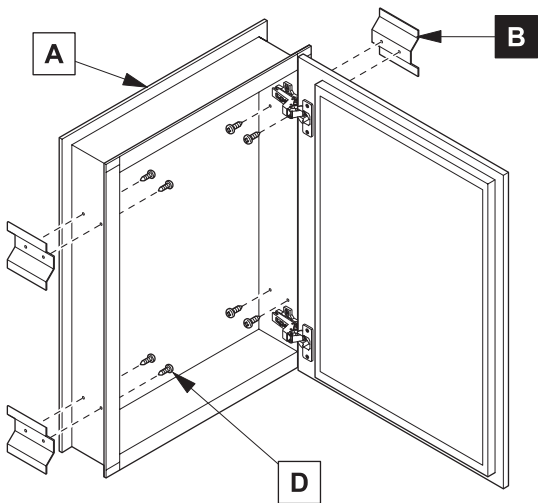
5

Apply silicone and place sink (E) on the cabinet (F).

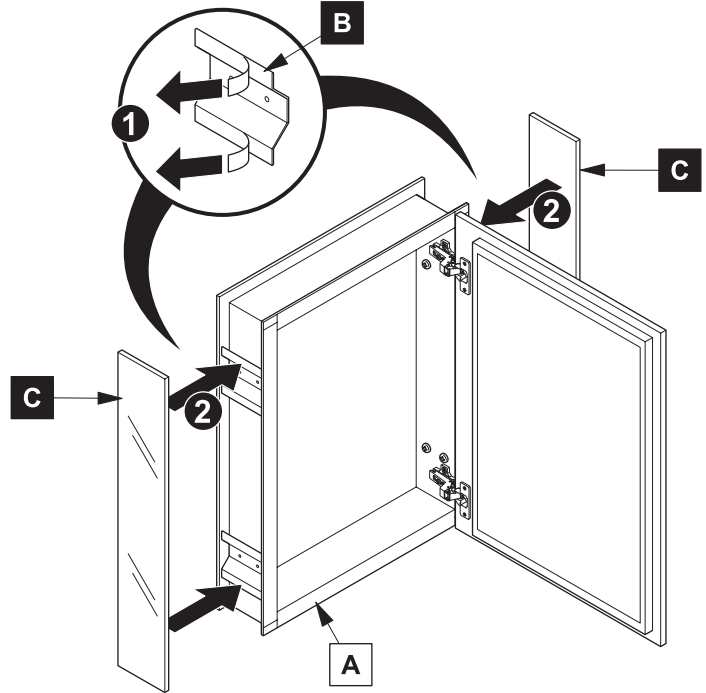


# MEDICINE CABINET INSTALLATION

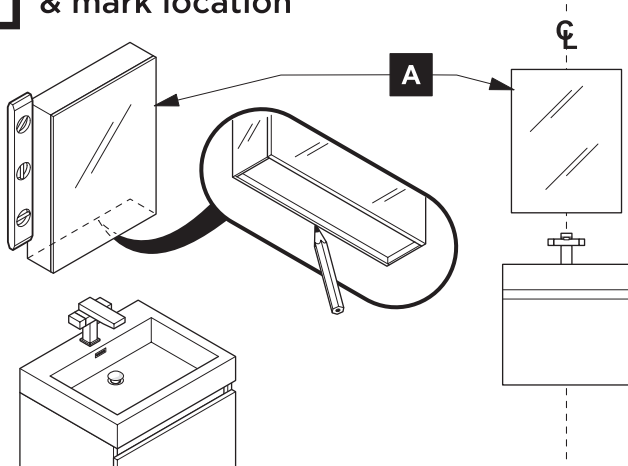
## 1 Locate cabinet (A) & mark location



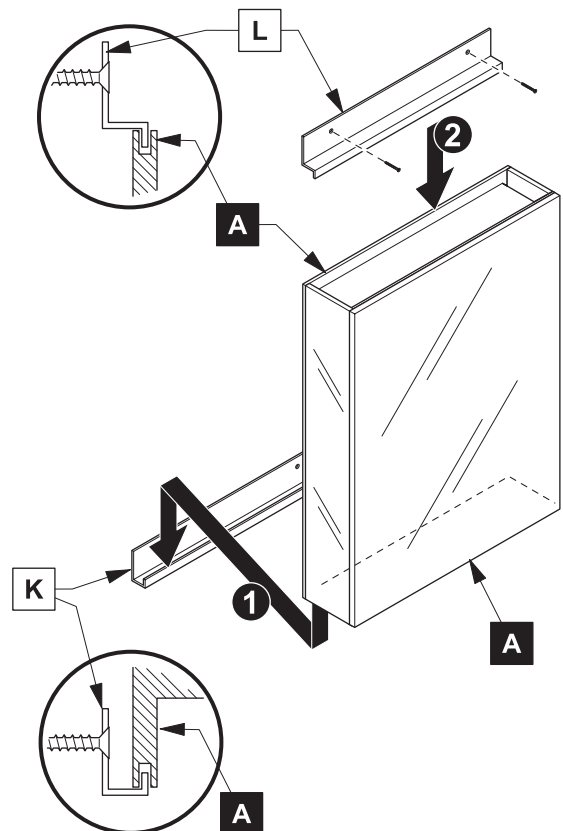
## 2 Install side mirrors (C)



## 3 Place cabinet (A) to the wall & mark location

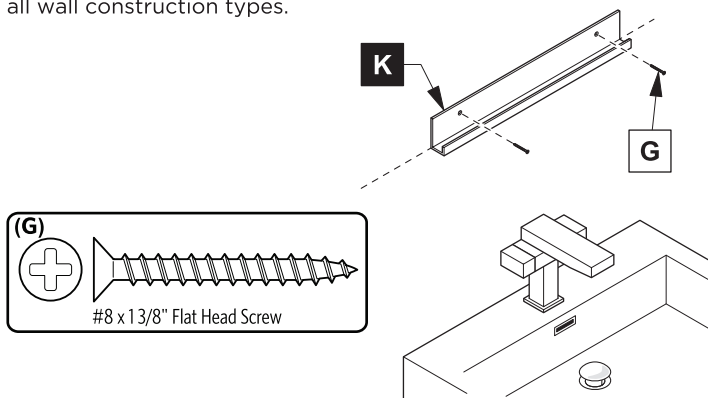


## 5 Place cabinet (A) on the bottom bracket (K) & secure cabinet with a top bracket (L)



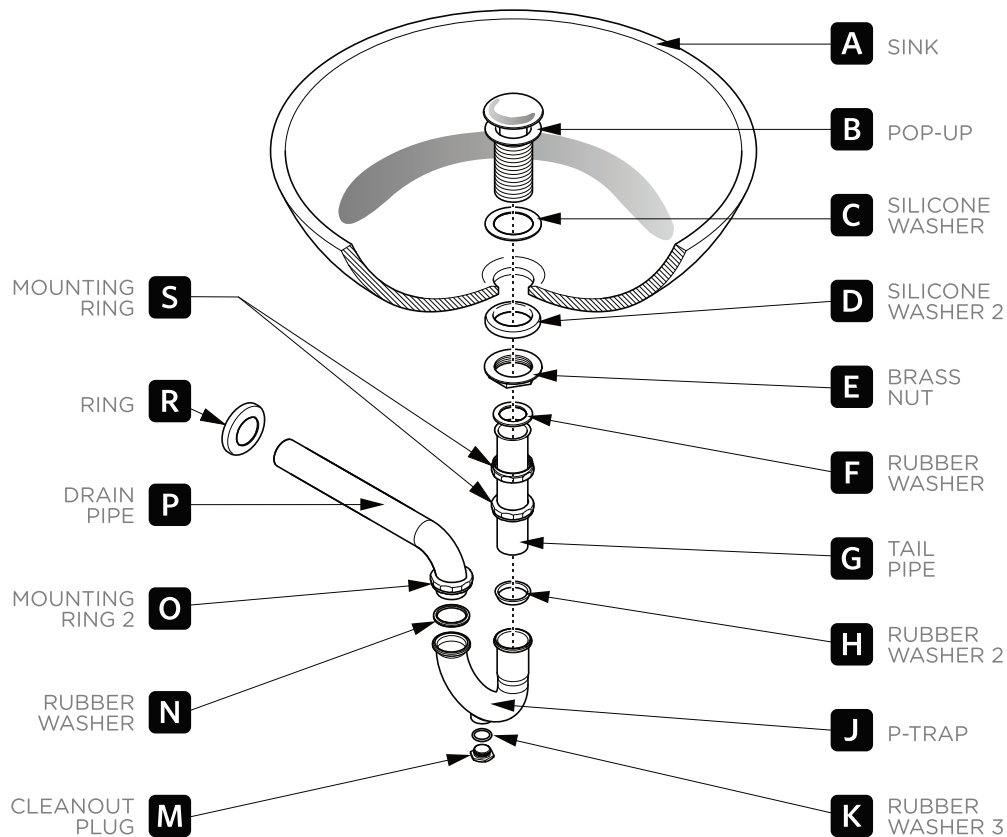
## 4 Install bottom bracket (K) to the wall

**NOTE:** Consult an expert for the proper screws/bolts to use when attaching to various constructions. Screws provided **do not** attach to all wall construction types.



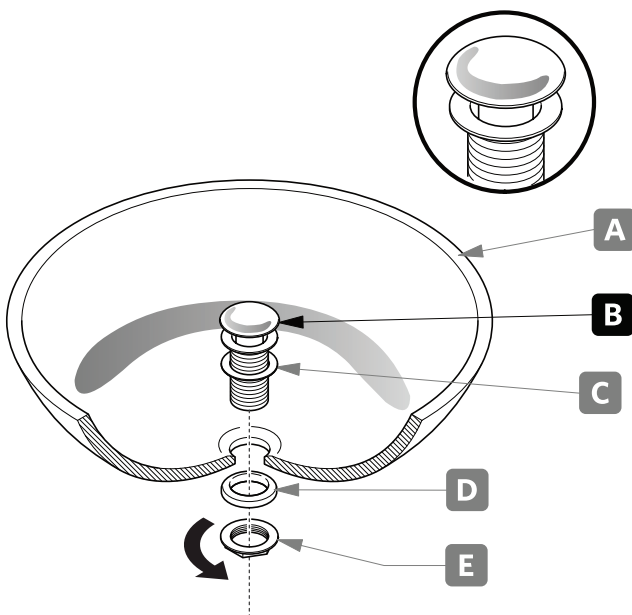
# P-TRAP & POP-UP INSTALLATION INSTRUCTIONS

Your item may appear slightly different from the illustration.



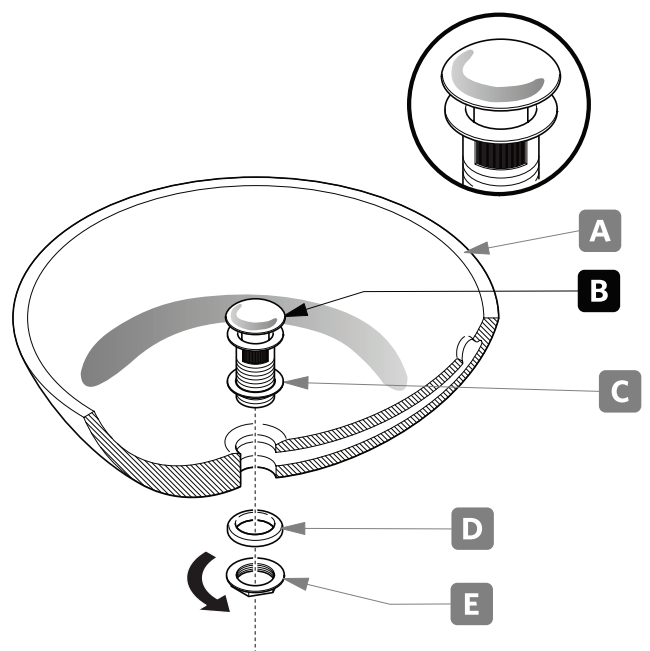
## POP-UP INSTALLATION

**FOR SINKS  
WITHOUT OVERFLOW**



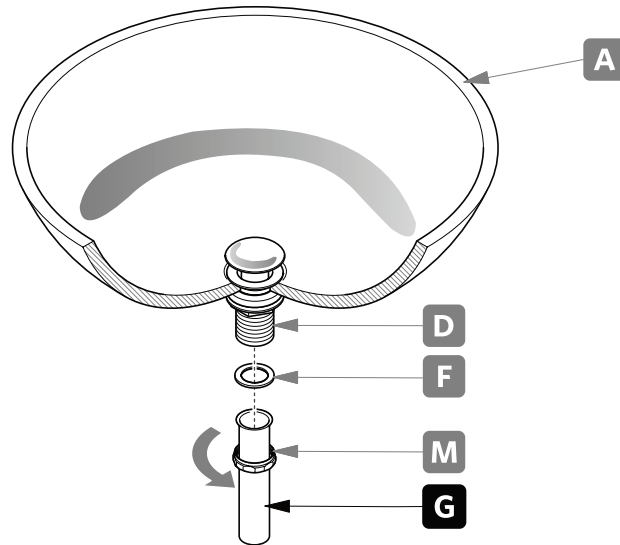
OR

**FOR SINKS  
WITH OVERFLOW**



# P-TRAP INSTALLATION

**1.** Install tail pipe **(G)**.



**2.** Install P-trap **(J)**.

