



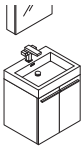
# FVN8058

# ALTO

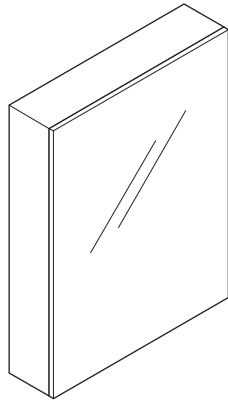
## INSTALLATION GUIDE

### CONTENTS:

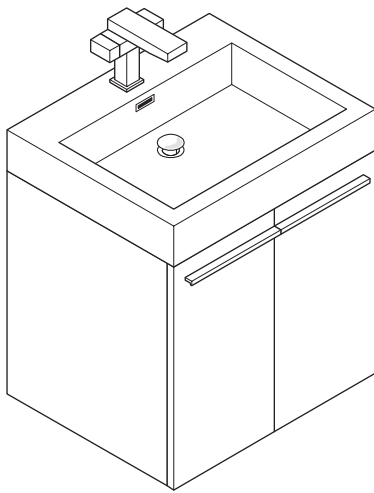
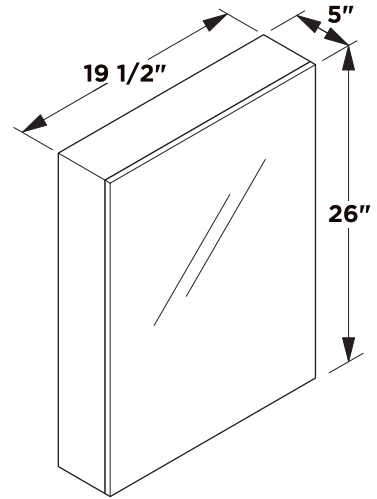
Cabinet.....(FCB8058).....	PAGE 3
Sink.....(FVS8058).....	PAGE 3
Medicine Cabinet (FMC8058).....	PAGE 4



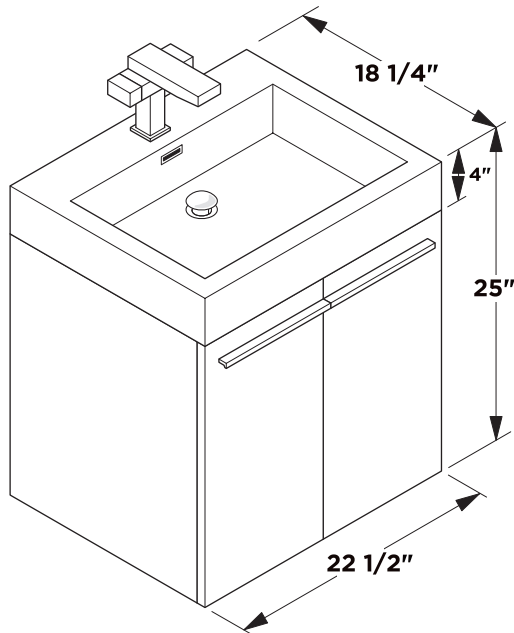
**FVN8058**  
**ALTO**  
**INSTALLATION GUIDE**



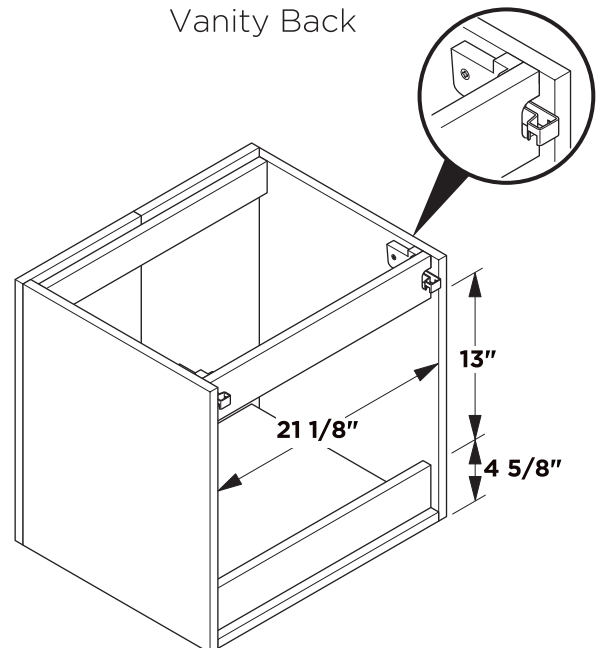
Medicine Cabinet



Vanity Front

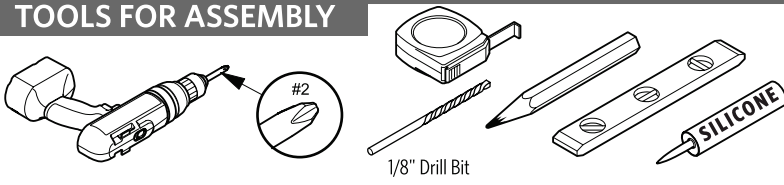


Vanity Back

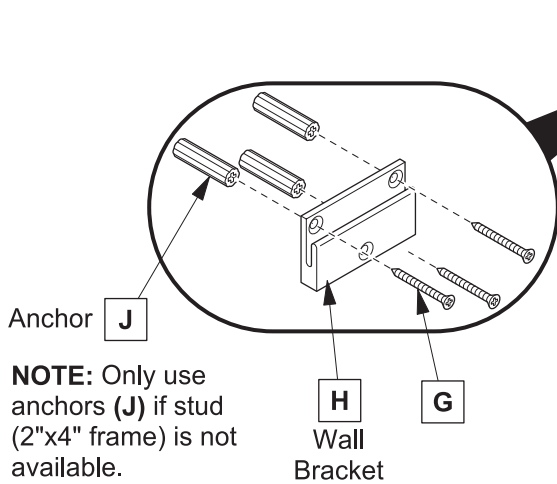
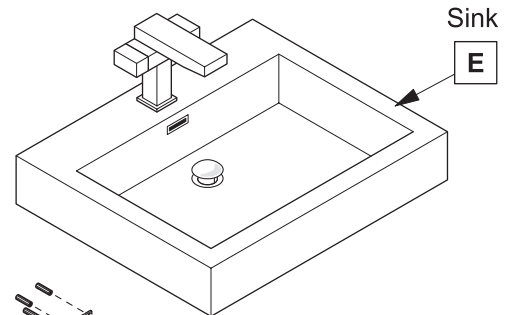
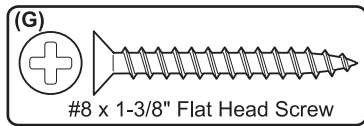
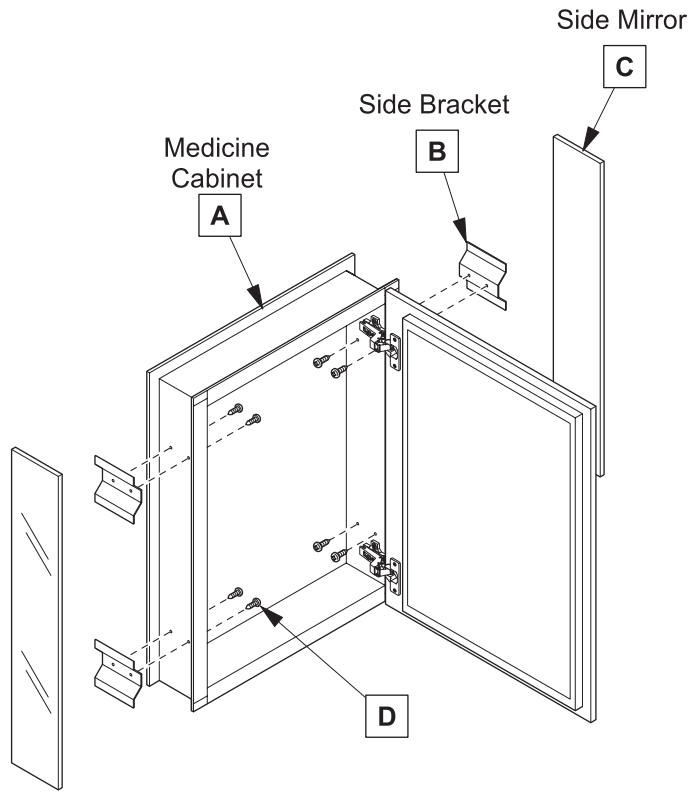
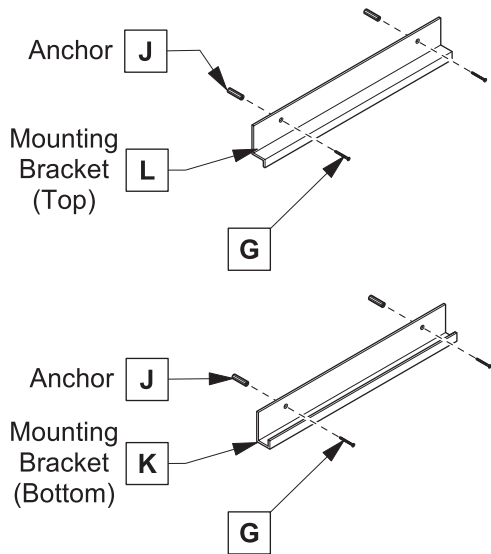


**NOTE:** ALL DIMENSIONS & SPECIFICATIONS ARE APPROXIMATE AND SUBJECT TO CHANGE WITHOUT NOTICE.

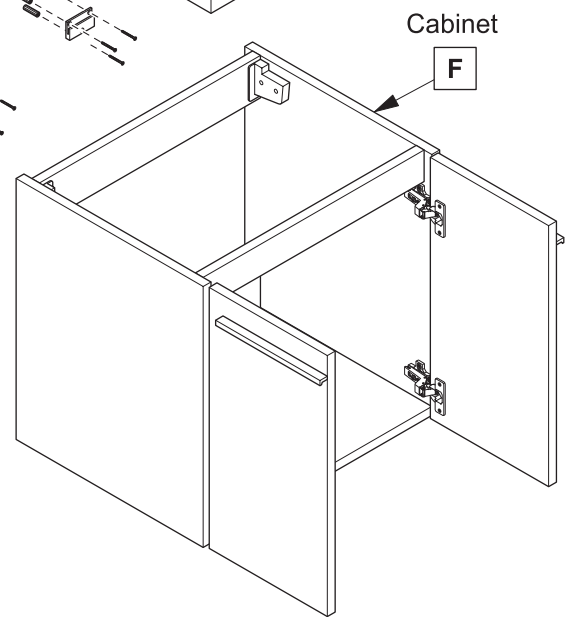
**TOOLS FOR ASSEMBLY**



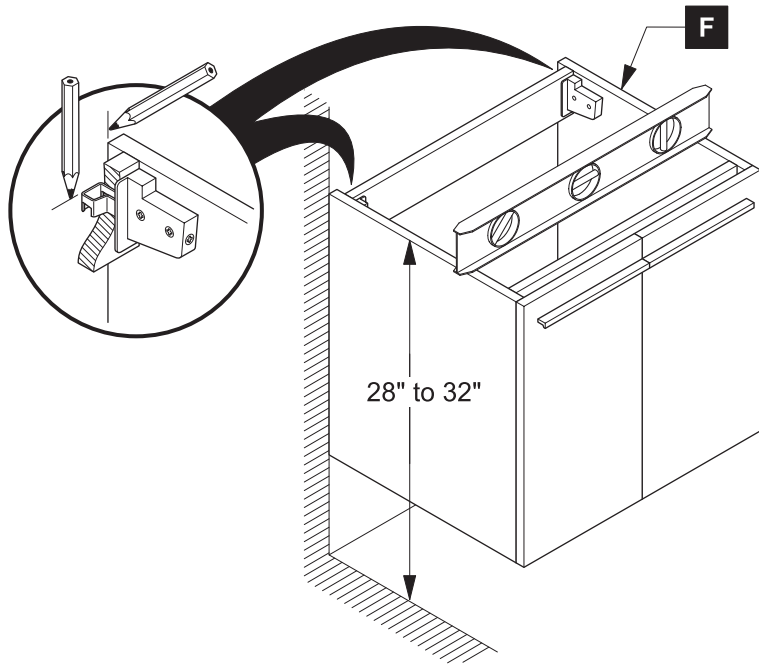
**PARTS**



**NOTE:** Only use anchors (J) if stud (2"x4" frame) is not available.

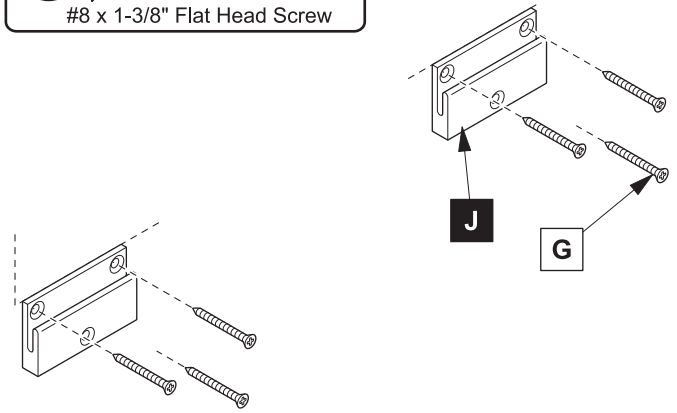
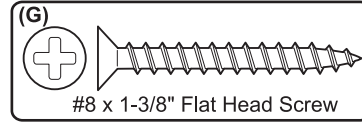


**1** Locate cabinet (C) & mark location

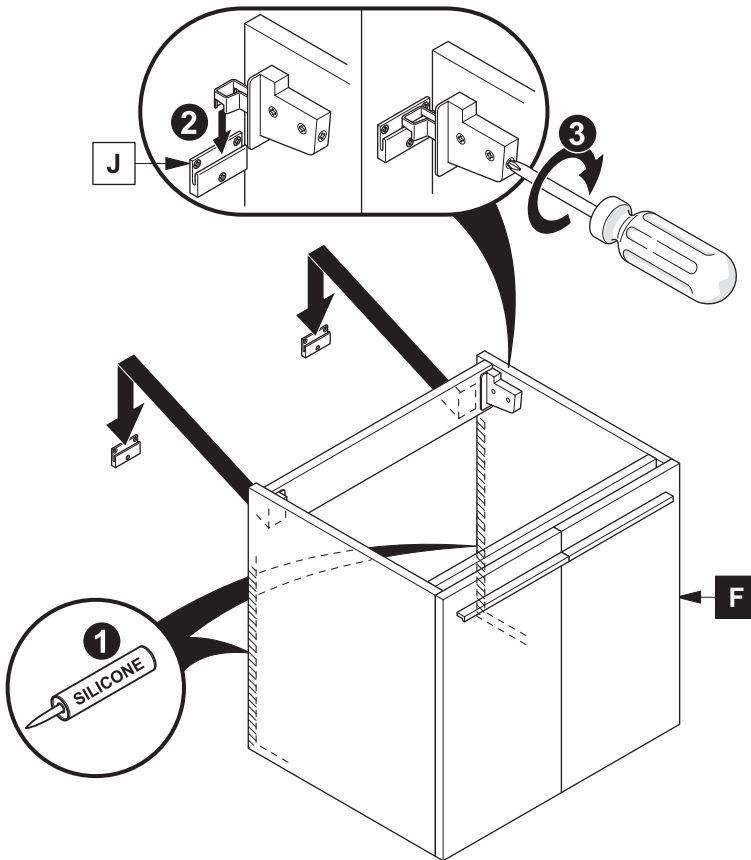


**2** Install wall brackets (J)

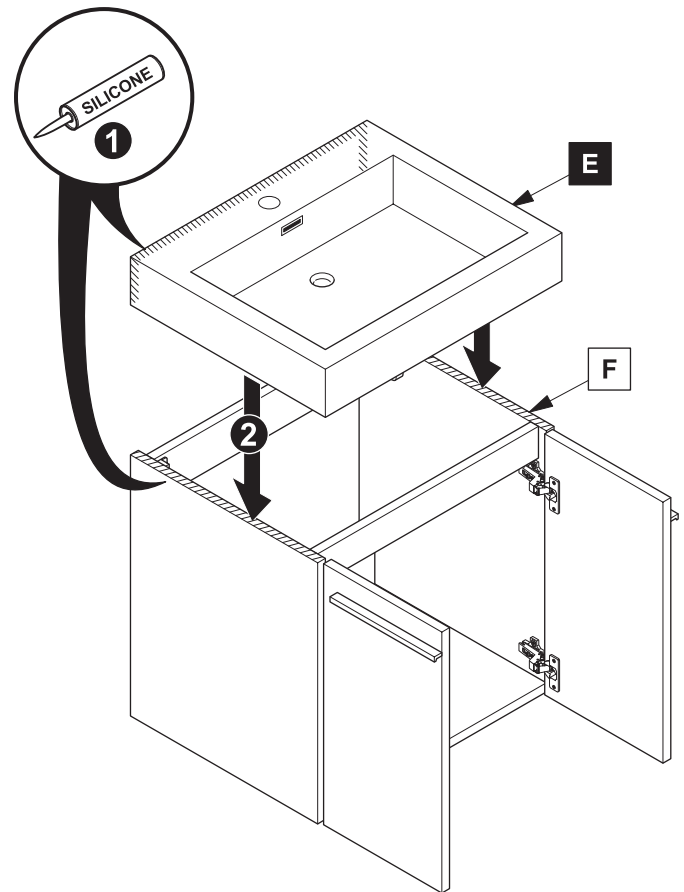
**IMPORTANT:** Consult an expert for the proper screws/bolts to use when attaching to various wall constructions. Screws provided do not attach to all wall construction types.



**3** Apply silicone and install cabinet (F)

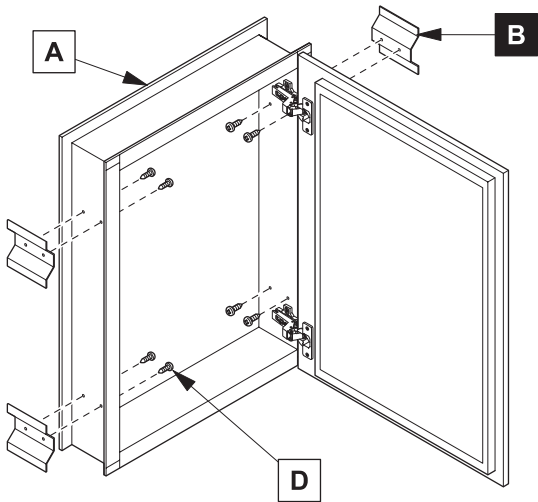


**4** Apply silicone and install sink (E)

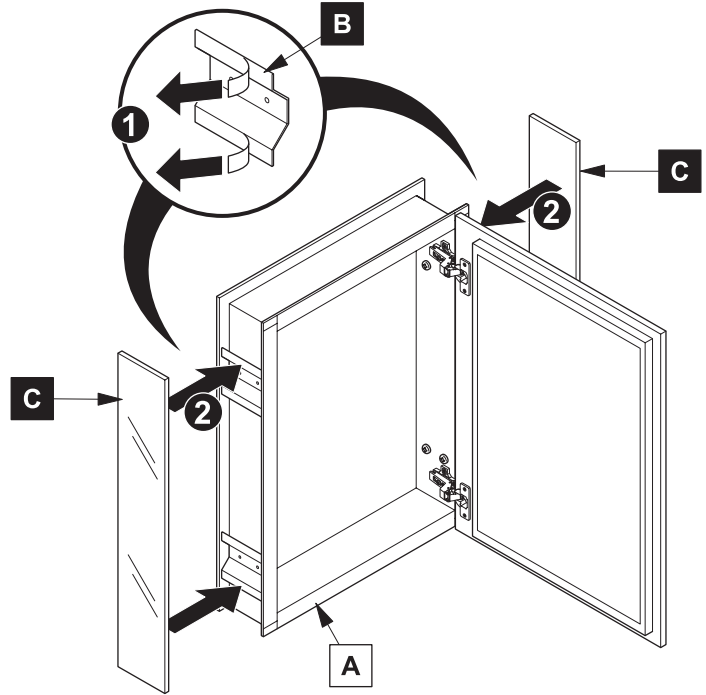


# MEDICINE CABINET INSTALLATION

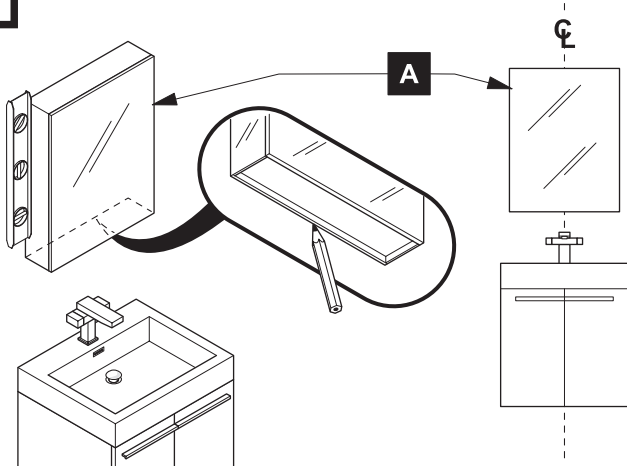
## 1 Install side brackets (B)



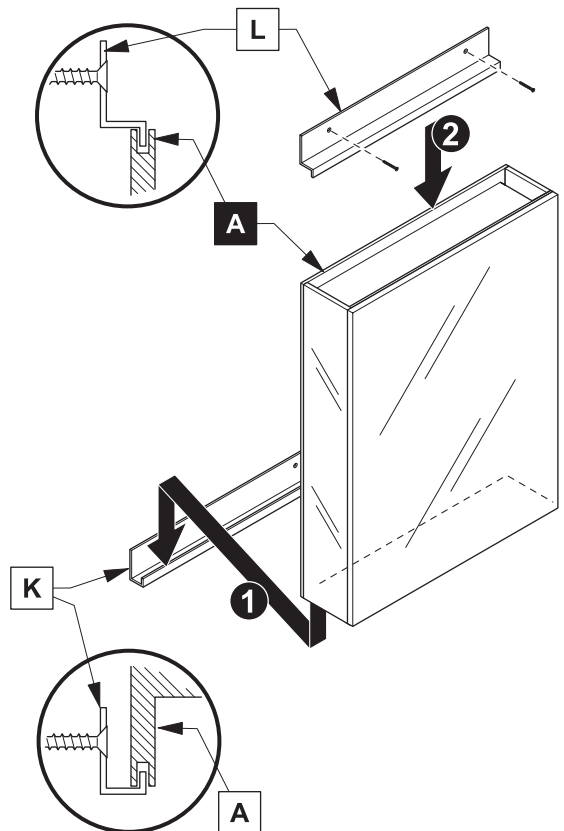
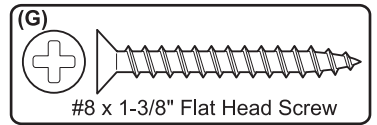
## 2 Install side mirrors (C)



## 3 Mark cabinet (A) location

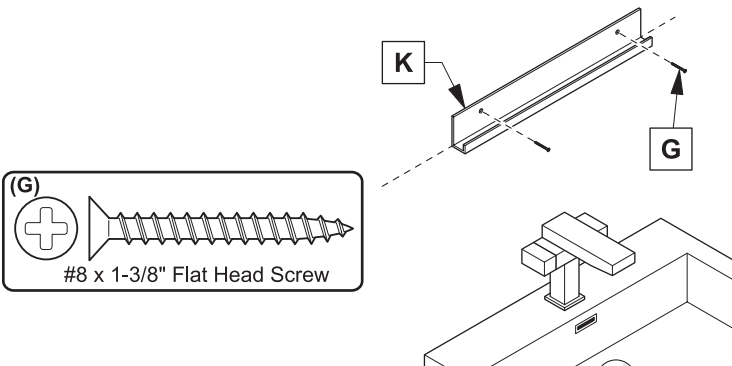


## 5 Install cabinet (A)



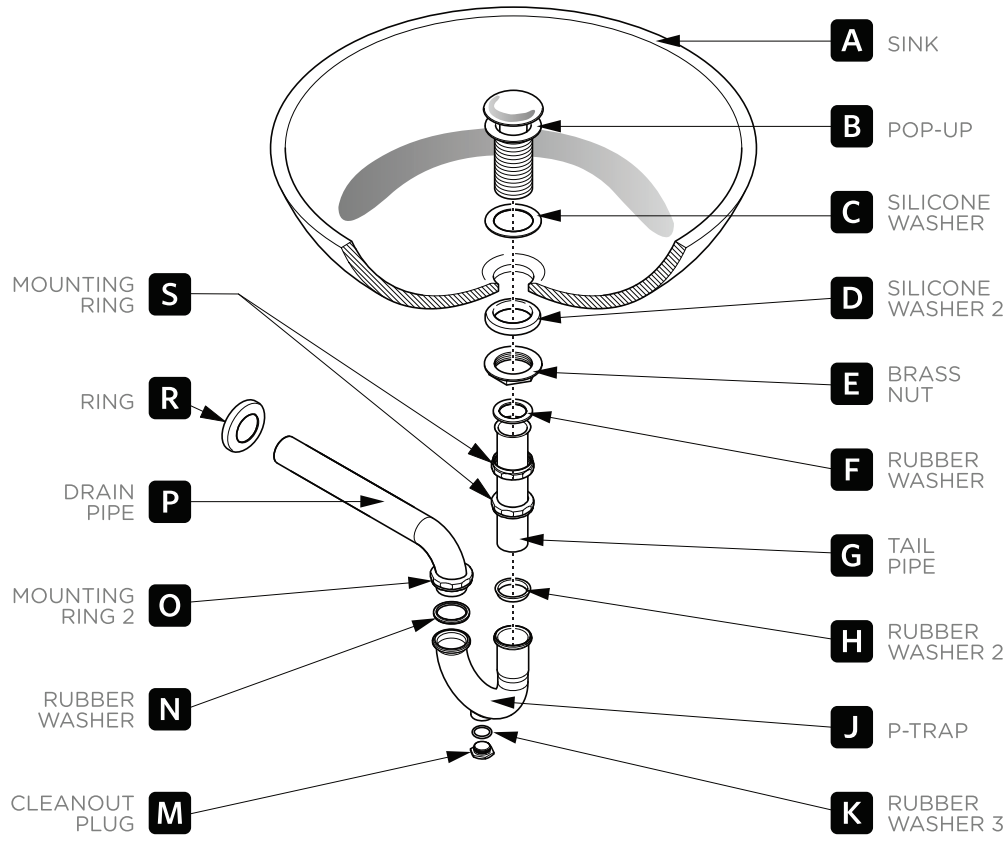
## 4 Install bottom bracket (K)

**NOTE:** Consult an expert for the proper screws/bolts to use when attaching to various constructions. Screws provided **do not** attach to all wall construction types.



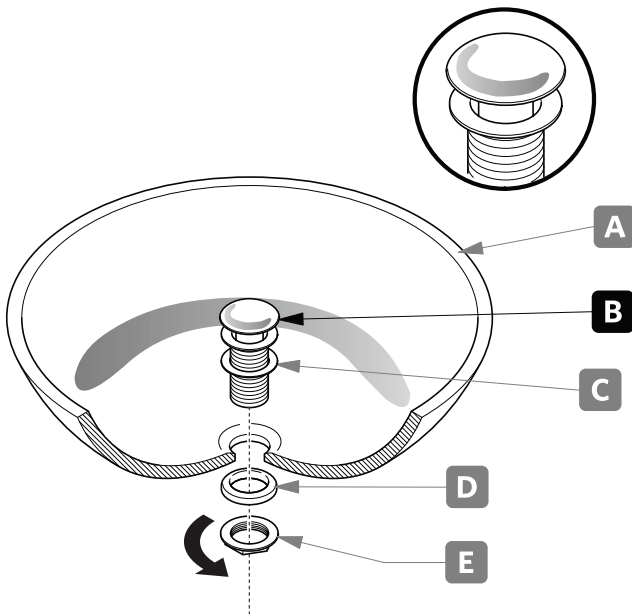
# P-TRAP & POP-UP INSTALLATION INSTRUCTIONS

Your item may appear slightly different from the illustration.



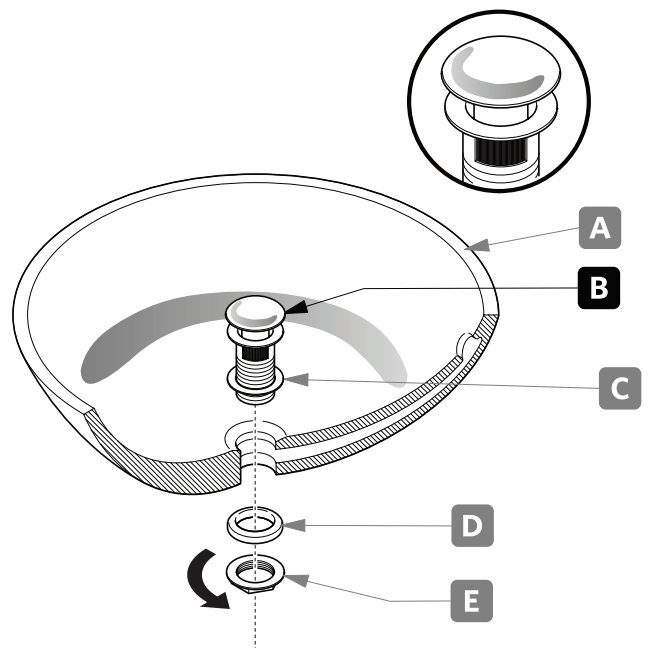
## POP-UP INSTALLATION

**FOR SINKS  
WITHOUT OVERFLOW**



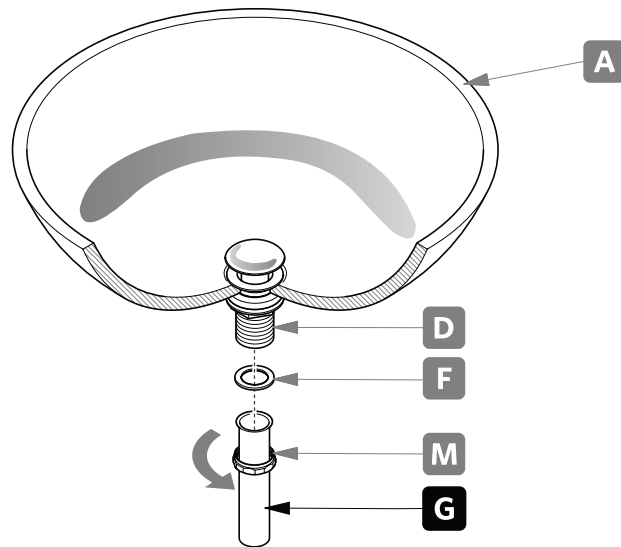
OR

**FOR SINKS  
WITH OVERFLOW**



# P-TRAP INSTALLATION

1. Install tail pipe (G).



2. Install P-trap (J).

