

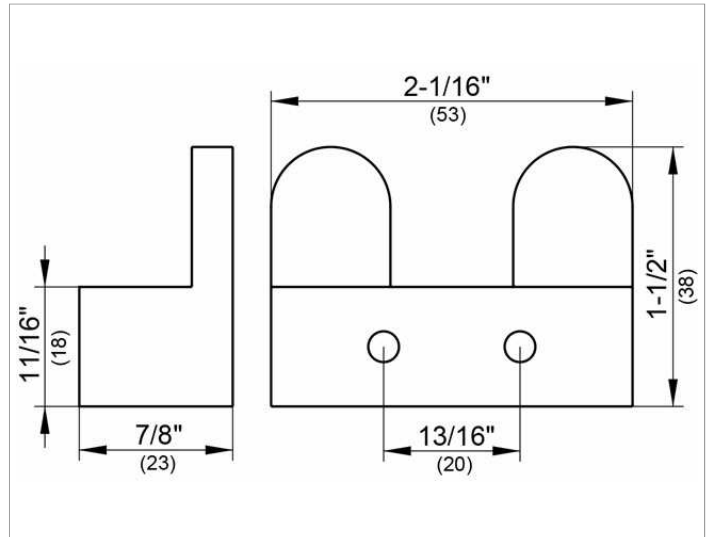
Edition 300

30015010000 Towel hook

PRODUCT



DRAWING



PRODUCT ATTRIBUTES

double

SURFACE

chrome-plated

SPECIFICATIONS

KEUCO EDITION 300 towel hook, double, 30015010000
 chrome plated towel hook in an aesthetic and classic functional design
 depth 7/8"
 The towel hook is fitted with 2 hidden fixing point
 2 wall plugs, Fischer FU 1/4" x 1-3/4" and 2 wall screw are supplied

Warranty: KEUCO products are covered by a 5-year manufacturer's warranty, in effect from the date of purchase. During this time, proven product defects will be remedied free of charge. Warranty claims must be filed in writing, including a detailed description of the defect immediately after a defect has occurred. For a copy of our detailed product warranty policy, please contact us at office-usa@keuco.com.

Installation: KEUCO products must be installed by a qualified professional in accordance with the respective installation guidelines and any applicable federal / local building codes and regulations.