

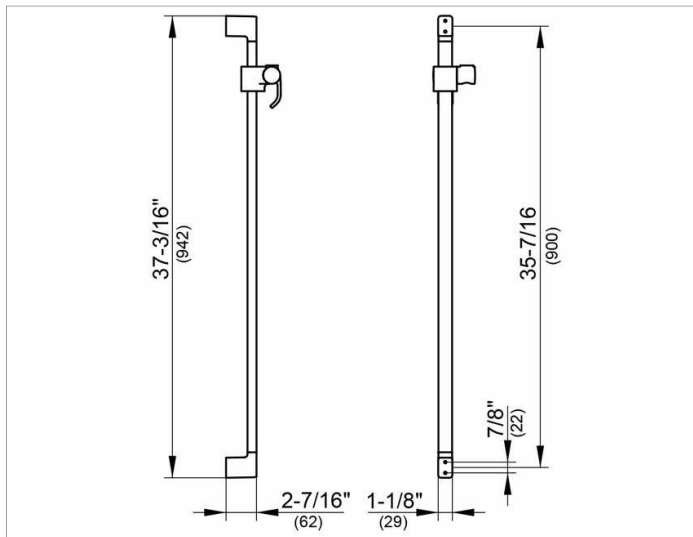
Collection Moll

52785010900 Hand shower sliding rail

PRODUCT



DRAWING



PRODUCT ATTRIBUTES

consisting of:
 - rail and hand-shower bracket,
 height adjustable
 - spacer disc (3/16 inch)

SURFACE

polished chrome

SPECIFICATIONS

KEUCO COLLECTION MOLL hand shower sliding rail 52785010900
 High shine chrome-plated hand shower rail
 in esthetic design, for wall mounting, consisting of:
 Rail and hand shower bracket, length 900 mm, total length 942 mm
 Height adjustable with handle, angle of inclination continuously
 adjustable
 Spacer disc (5 mm), Projection 67 mm
 The hand shower sliding rail is fitted with 4 hidden fixing points,
 corrosion-free mounting material included,

Warranty: KEUCO products are covered by a 5-year manufacturer's warranty, in effect from the date of purchase. During this time, proven product defects will be remedied free of charge. Warranty claims must be filed in writing, including a detailed description of the defect immediately after a defect has occurred. For a copy of our detailed product warranty policy, please contact us at office-usa@keuco.com.

Installation: KEUCO products must be installed by a qualified professional in accordance with the respective installation guidelines and any applicable federal / local building codes and regulations.