

Tivoli TM17 Handshower

Model #: TM17-

FEATURES:

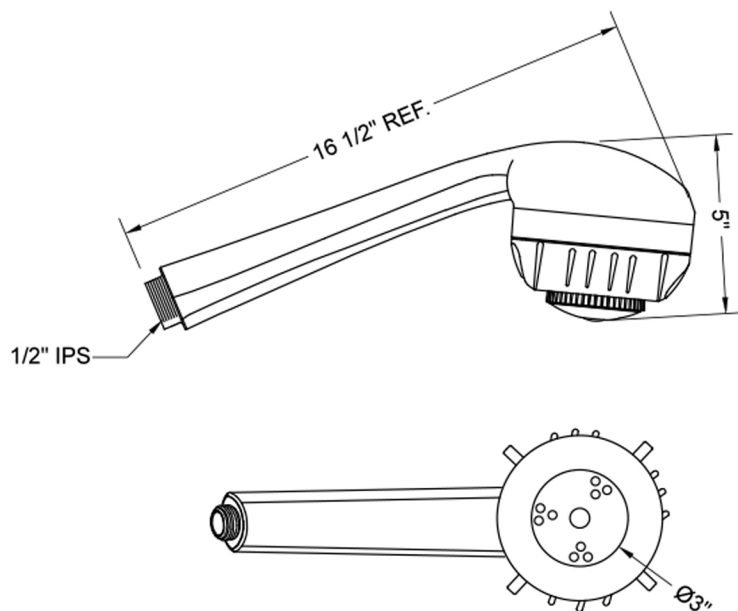
- 3 function handshower
- 1/2" IPS Male threads
- Light weight design



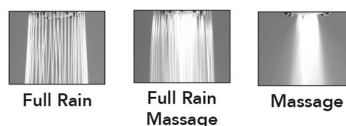
AVAILABLE FINISHES:

Polished Chrome (PCH) Satin Nickel (SN)

SPECIFICATION DRAWING:



SPRAY PATTERNS:



COMPLIANCES:

Complies with: ASME A112.18.1-2012/CSA B125.1-12