

Cylindrica 1 Handshower

Model #: S461-



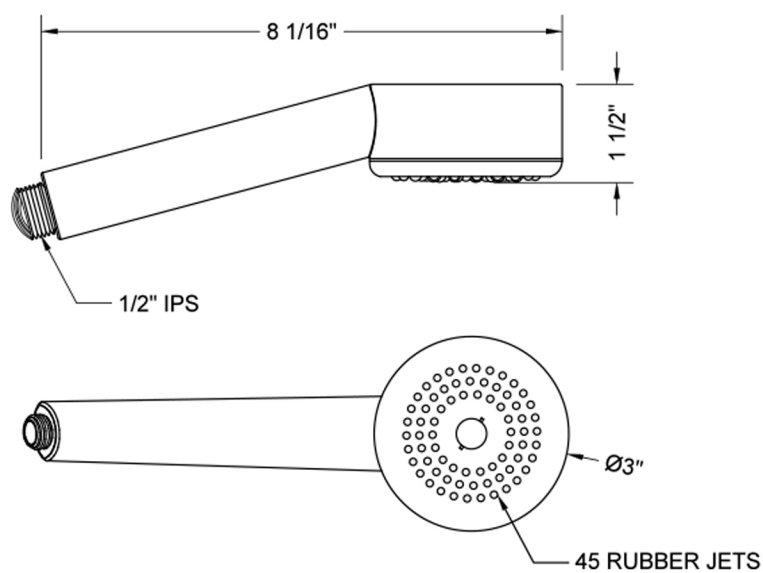
FEATURES:

- Single function handshower with 3" face
- 1/2" IPS male threads
- Contemporary design
- Available flow rates: 2.5, 2.0, 1.75 & 1.5 GPM

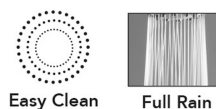
AVAILABLE FINISHES:

Polished Chrome (PCH)	Satin Chrome (SC)	Bronze Umber (BU)
Satin Nickel (SN)	Pewter (PEW)	Caramel Bronze (CB)
Polished Nickel (PN)	Antique Brass (AB)	Antique Copper (ACU)
Oil-Rubbed Bronze (ORB)	Polished Brass (PB)	Polished Copper (PCU)
Vintage Bronze (VB)	Satin Brass (SB)	Rose Gold (RG)
Matte Black (MBK)	Satin Gold (SG)	Polished Gold (PG)
Black Nickel (BKN)		

SPECIFICATION DRAWING:



SPRAY PATTERNS:



COMPLIANCES:

Complies with: ASME A112.18.1-2012/CSA B125.1-12