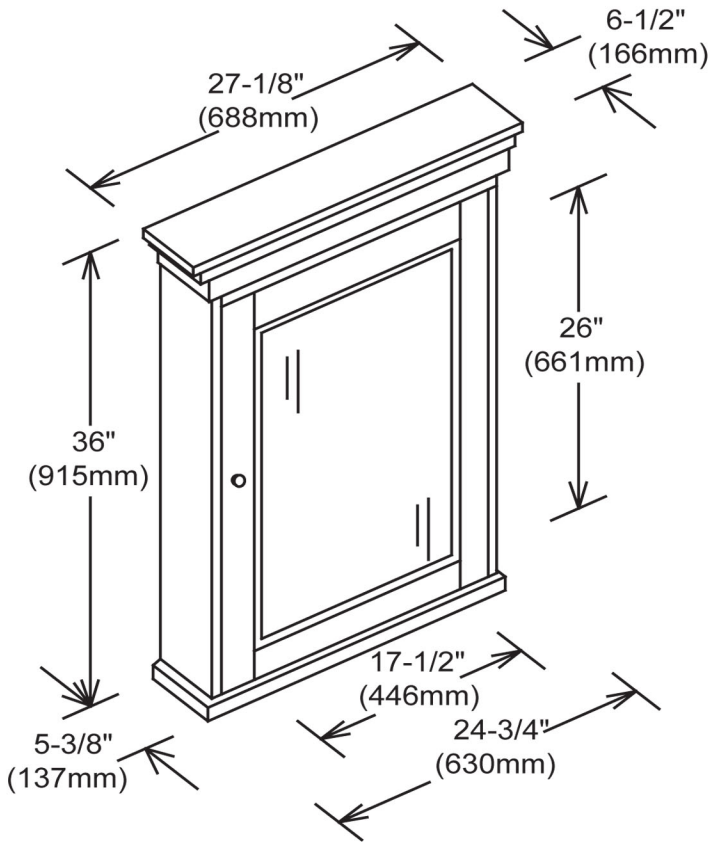


185-MC24

24" Medicine Cabinet



SPECIFICATION SHEET

Features

- Mirror: 1/2" Beveled edge
- Materials: Poplar solids with Cherry veneers
- Hinges: Fully concealed, soft closing
- Doors: 1 (hinge-right)
- Shelves: 3 (Adjustable)
- Mounting: Cleat
- Hardware: Satin Nickel
- Back panel: Fully covered
- Side Panels: 5/8" PB with Cherry veneers

Colors/ Finish

185-Polar White

