

Morgan Rainhead Model #: S194-

FEATURES:

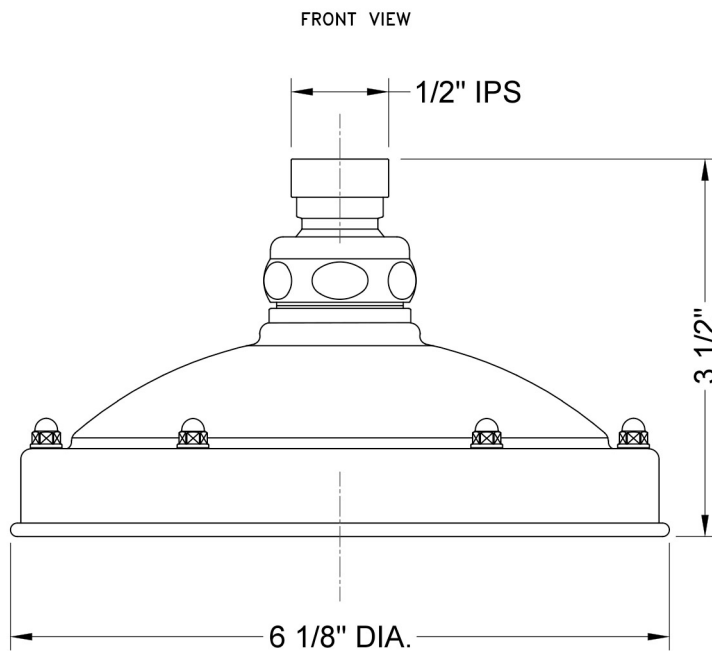
- 6" Diameter brass rainhead
- 1/2" IPS adjustable brass ball joint to adjust angle of showerhead
- 86 easy clean replaceable rubber jets
- Available flow rates: 2.5, 2.0, 1.75 & 1.5 GPM



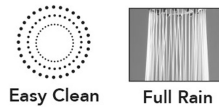
AVAILABLE FINISHES:

Polished Chrome (PCH)	Satin Chrome (SC)	Bronze Umber (BU)
Satin Nickel (SN)	Pewter (PEW)	Caramel Bronze (CB)
Polished Nickel (PN)	Antique Brass (AB)	Antique Copper (ACU)
Oil-Rubbed Bronze (ORB)	Polished Brass (PB)	Polished Copper (PCU)
Vintage Bronze (VB)	Satin Brass (SB)	Matte Black (MBK)
Satin Gold (SG)	Polished Gold (PG)	Black Nickel (BKN)
White (WH)	Unlacquered Brass (ULB)	Satin Cooper (SCU)
Almond (ALD)	Amber (AMB)	Azure Blue (AZB)
Coral (COR)	Mint Green (GRN)	Stone Grey (GRY)
Lilac (LAC)	Light Blue (LBL)	Limon (LIM)
Plum (PLM)	Pink (PNK)	Red (RED)
Graphite (GPH)	Aged Unlacquered Brass (AUB)	

SPECIFICATION DRAWING:



SPRAY PATTERNS:



ANGLES AND FLOW RATES:

2.5 GPM			
2.0 GPM			
1.75 GPM	45°	90°	Drop Ceiling
1.5 GPM			

COMPLIANCES:

Complies with: ASME A112.18.1-2012/CSA B125.1-12