

169-CMC21

21" Corner Medicine Cabinet

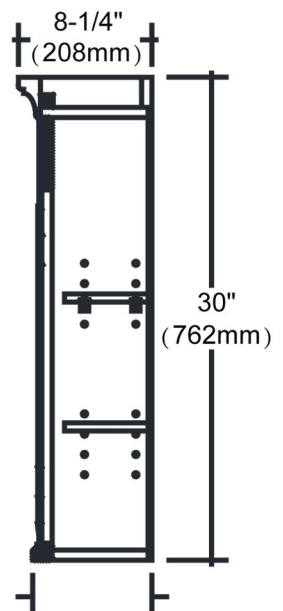
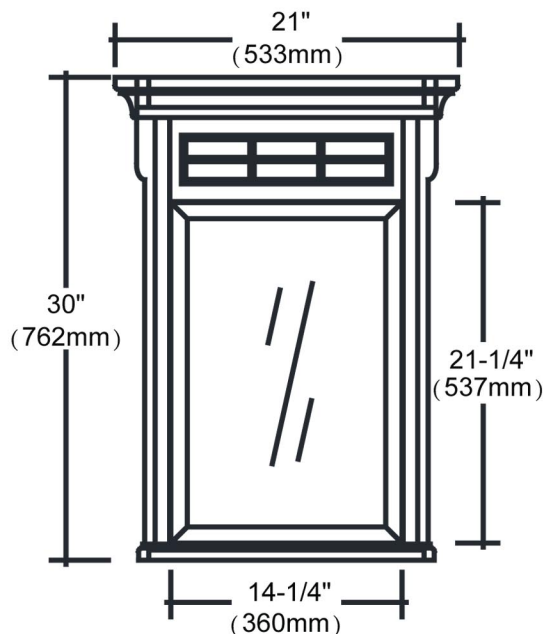
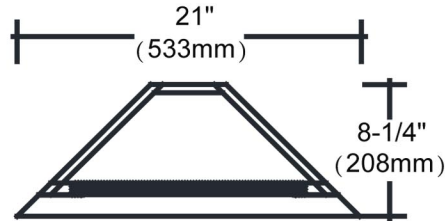
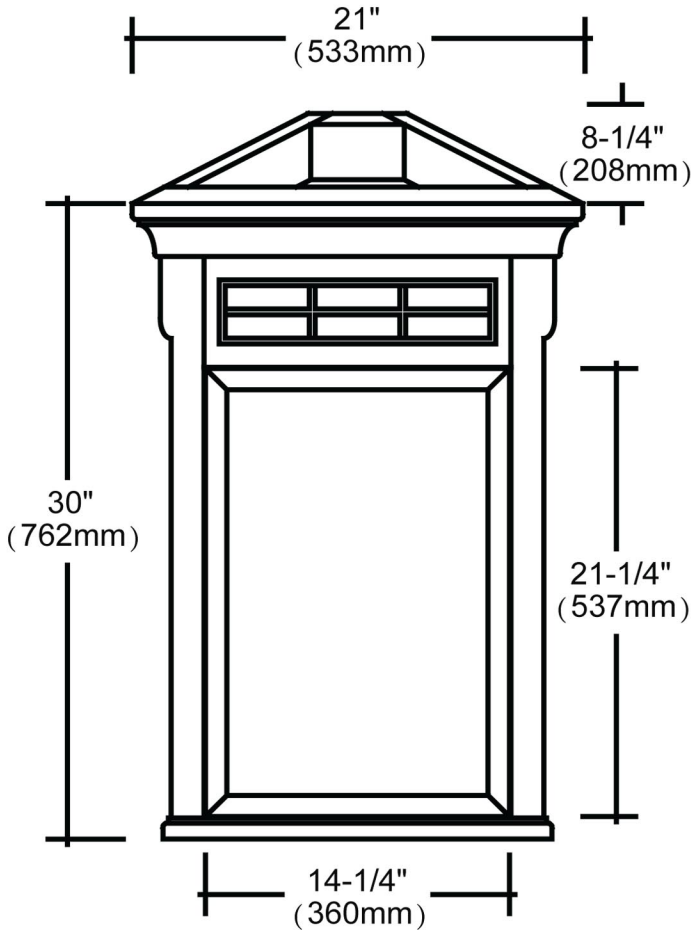
SPECIFICATION SHEET

Features

- Mirror : 1/2" Beveled edge
- Materials: Polar solids with Cherry veneers
- Hinges: Fully concealed, soft closing
- Doors: 1 (Hinge-right)
- Shelves: 2 (Adjustable)
- Mounting: Cleat
- Hardware finish: Antique Brass

Colors/ Finish

169-Cognac



Date:2012/07/14