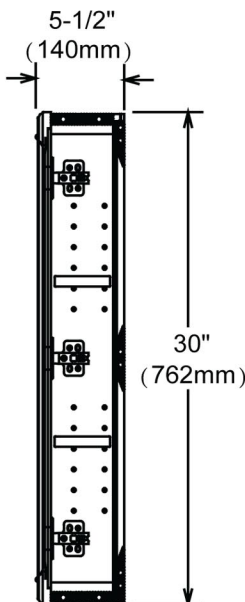
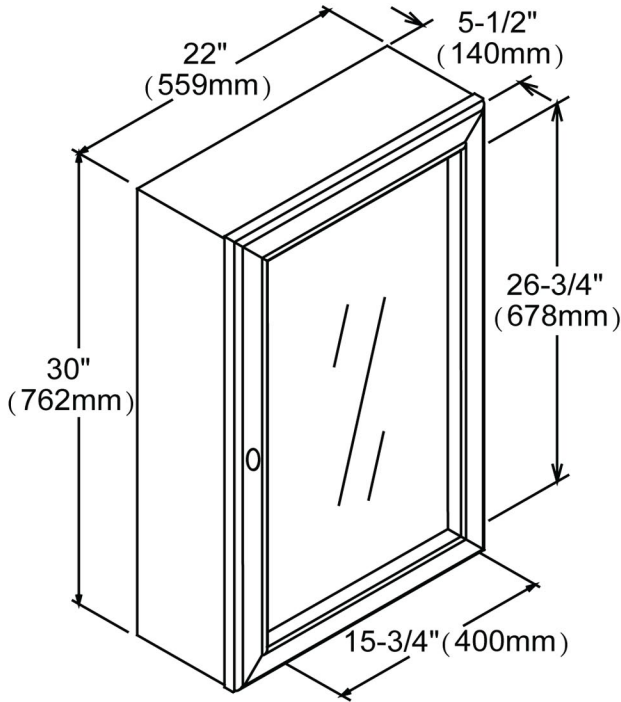


143-MC22

22" Medicine Cabinet



SPECIFICATION SHEET

Features

- Mirror : 5/8" Beveled edge
- Materials: White Oak solids
with White Oak veneers
- Hinges: Fully concealed, soft closing
- Doors: 1
- Shelves: 2 Glass (adjustable)
- Mounting: Cleat
- Hardware: Brushed Nickel
- Side Panels: 5/8" MDF with white oak veneers

Colors/ Finish

143 - Silvered Oak

