

**ASSEMBLY INSTRUCTION****1GETL**

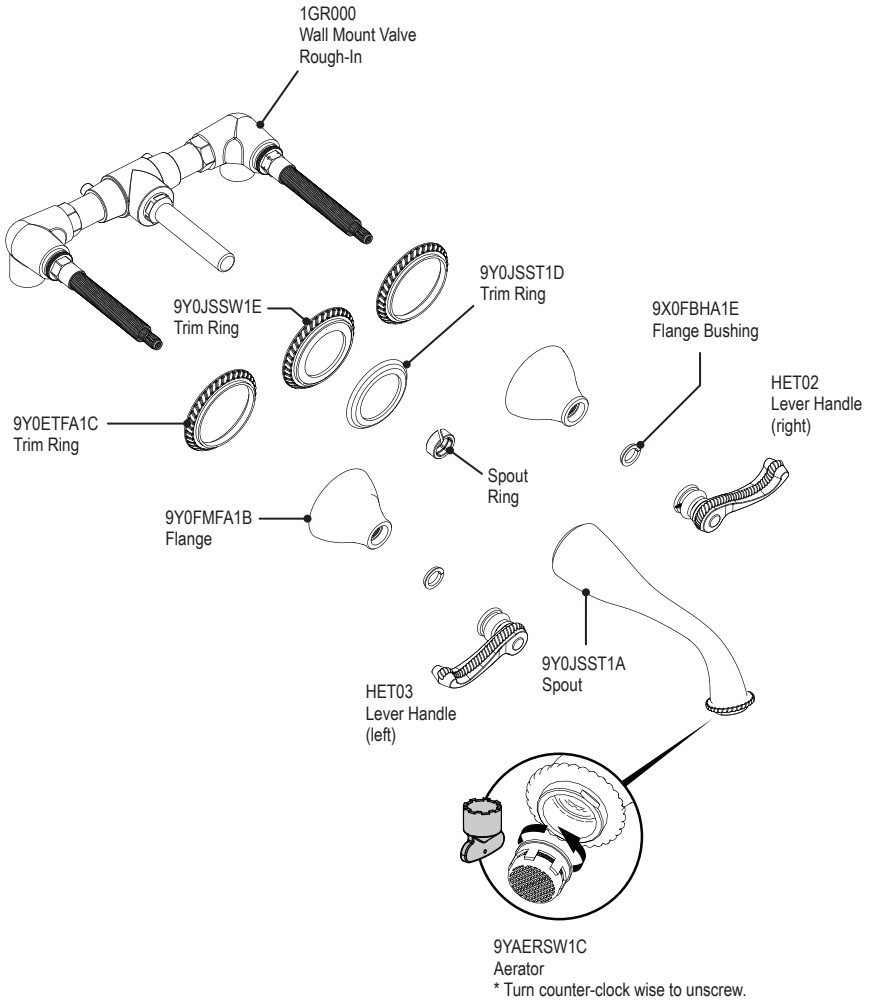
WALL MOUNT LAVATORY SET

**1GETL****REMOVAL OF FAUCET:**

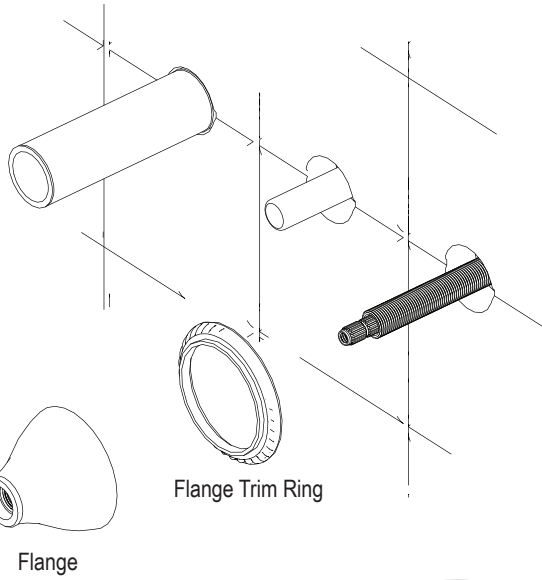
Always turn the water supply off before removing the existing faucet or disassembling a valve. Open both faucet handles to relieve water pressure and to ensure that the water has been successfully turned off.

**CARE OF FAUCET:**

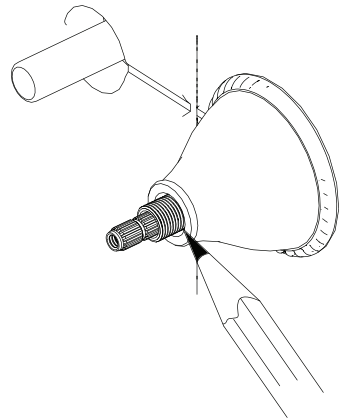
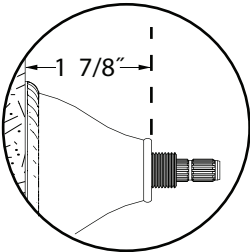
The use of warm water and a soft cloth is all that is required to clean Rubinet products. The patina of our living finishes (Oil Rubbed Bronze & Tuscan Brass) will change as a result of normal use. Applying Mineral Oil on occasion will create a softer look, subtle color changes and character.



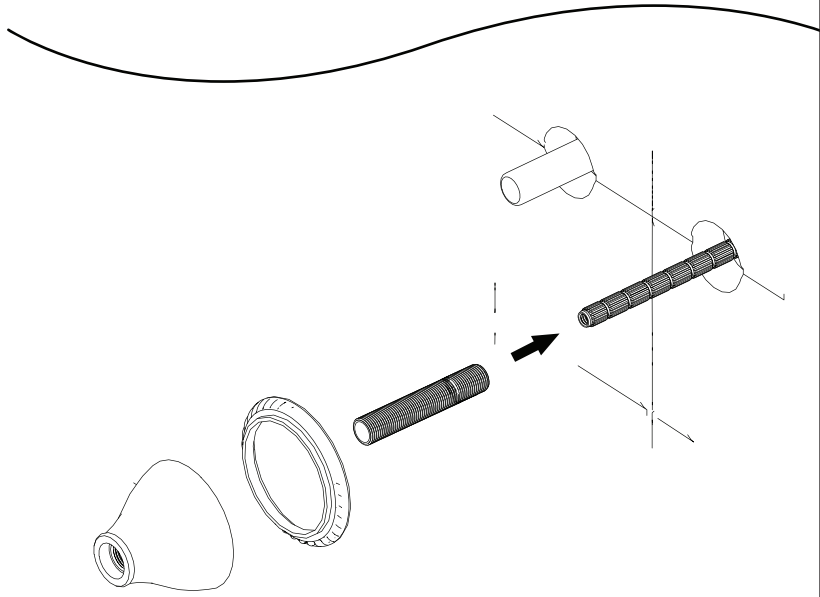
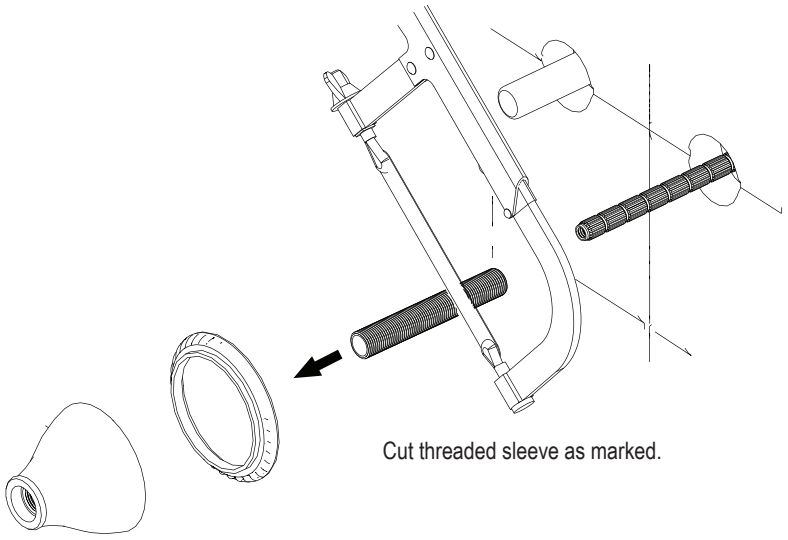
1



**MUST CUT FLUSH**  
TO THE FLANGE TRIM  
\* 1 7/8" (47.5mm)  
from the finished wall

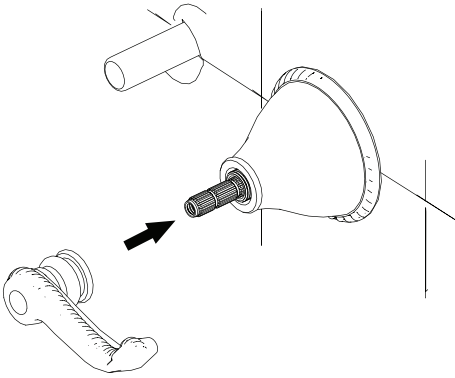


2

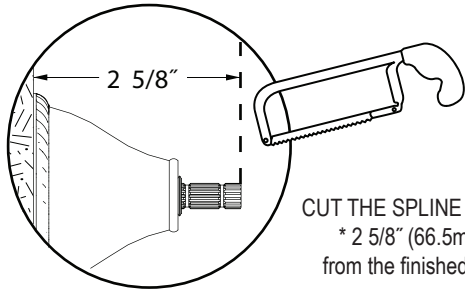
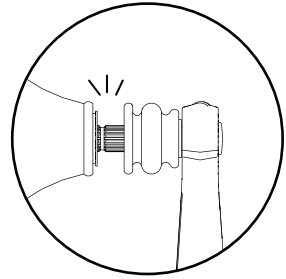


3

IF THE HANDLE DOES NOT FIT

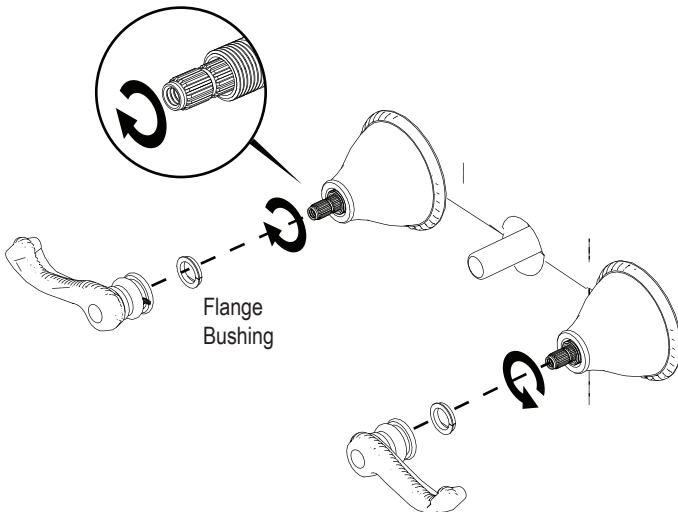


Place handle on the spline.

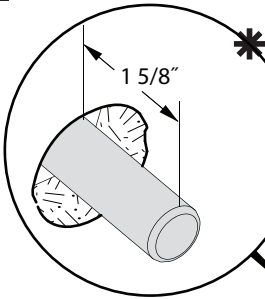


CUT THE SPLINE TO FIT  
\* 2 5/8" (66.5mm)  
from the finished wall

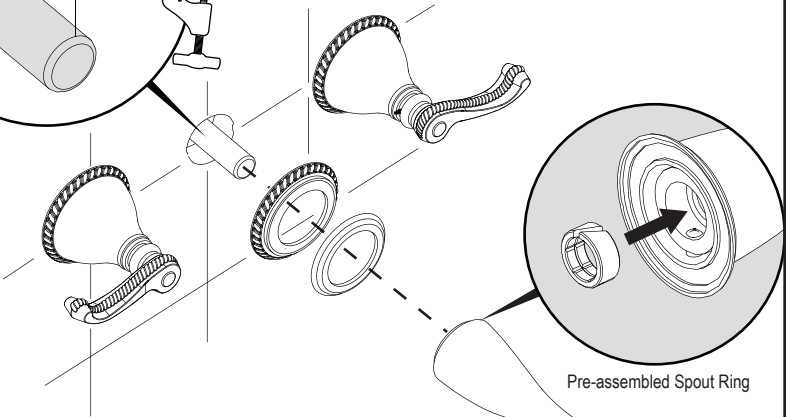
Turn each cartridge splines into **OFF** position before installing handles



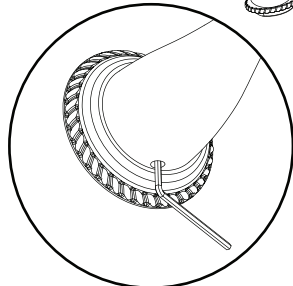
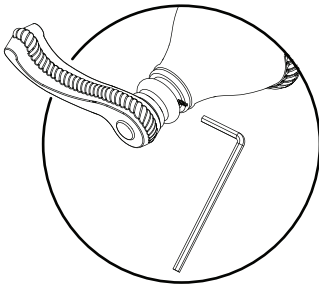
4



\* Cut the Slip-Fit Shank 1 5/8" long from the finished wall and **MUST REMOVE ANY BURRS** before installing the Wall Spout.

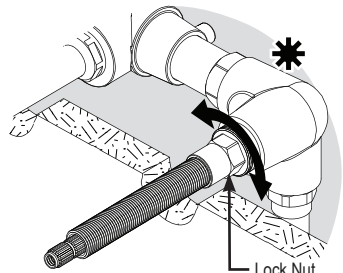
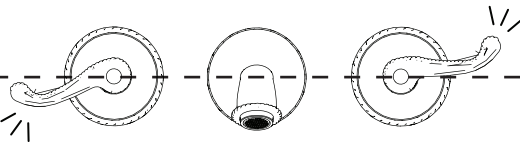


Tighten set screws to secure



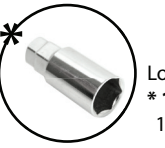
**IF THE HANDLES DO NOT ALIGN CORRECTLY**

You can adjust them. Please refer to the 'Handle Alignment' instruction at the back.

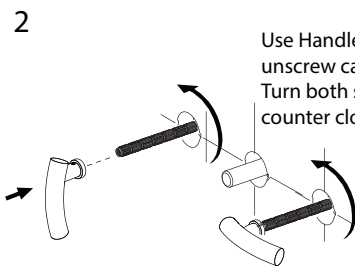


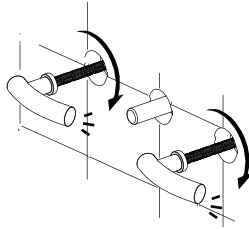
5

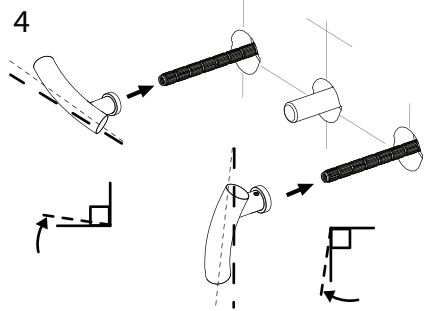
**HANDLE ALIGNMENT (1G)**

1  **LOCK NUT**  
Loosen the lock nut using  
\* **17mm Deep Socket.**  
1/2" Drive

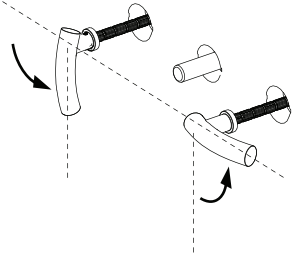
Remove  
**THREADED  
SLEEVE**

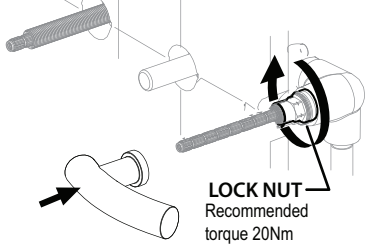
2  Use Handles to  
unscrew cartridge.  
Turn both splines  
counter clock-wise.

3  Once cartridge valves are loose, screw them  
back into the faucet using the handle.  
Stop when you feel a noticeable resistance.  
Then remove handles.

4  Replace Left Handle (hot) **one tooth off**  
from the **OFF** position as shown.

And Right Handle (cold) **one tooth off**  
from the **ON** position as shown.

5  Turn the handles to the desired alignment.  
(This will unscrew the cartridge)  
This adjustment should not be more than 25°.

6  **LOCK NUT**  
Recommended  
torque 20Nm

Tighten Lock Nut using **17mm Deep Socket.**  
wrench to secure cartridge valve position.

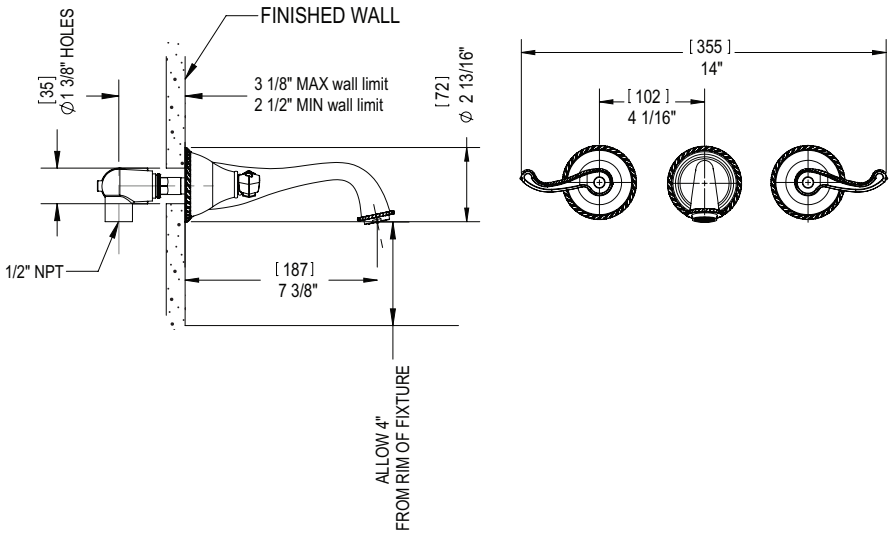
\*Use handle to hold spline while tightening.

**FEATURES:**

- Brass construction with choice of 21 finishes
- Two Lever handles
- Quarter-turn ceramic disk cartridges
- 1.5 gpm @ 60 psi (Helps meet CalGreen regulation)

**APPROVAL:**

- AB1953 / NSF61
- ASME A 112.18.1
- CSA B125.1



**CONTACT US:**

If you need assistance with installation, replacement parts or have any questions regarding your Rubinet product, please call a Customer Service representative at: 905-851-6781 toll free 1-800-461-5901 or visit [www.rubinet.com](http://www.rubinet.com)