

ASSEMBLY INSTRUCTION**1GRVJL or C**

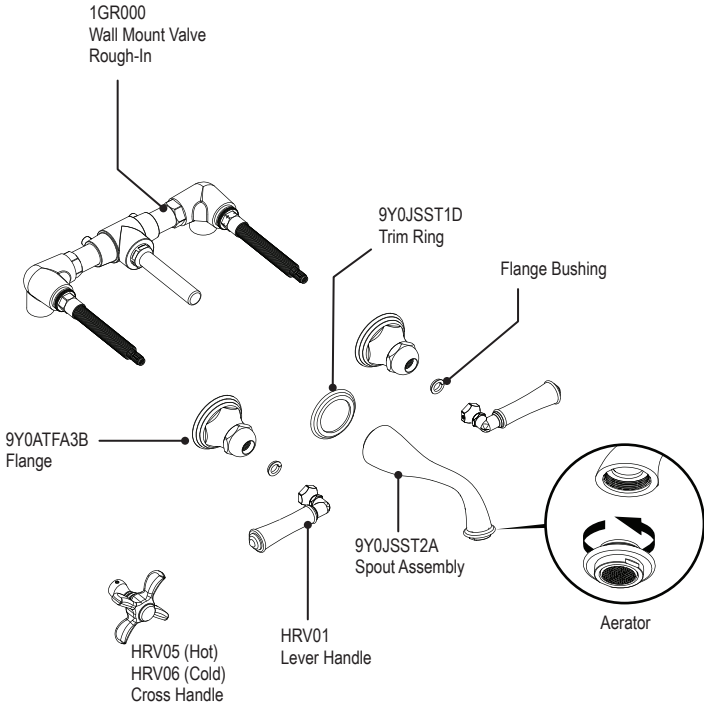
WALL MOUNT LAVATORY SET

**1GRVJL****1GRVJC****REMOVAL OF FAUCET:**

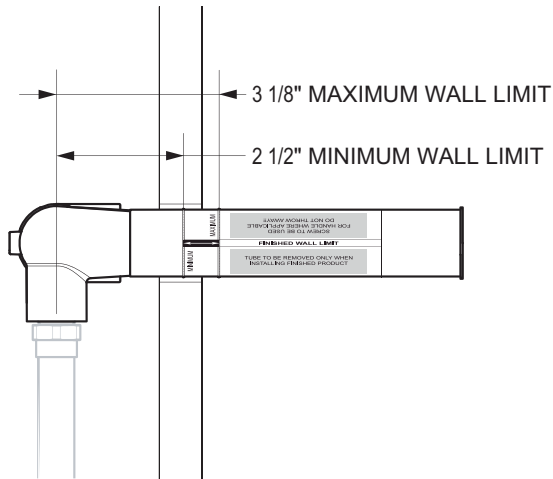
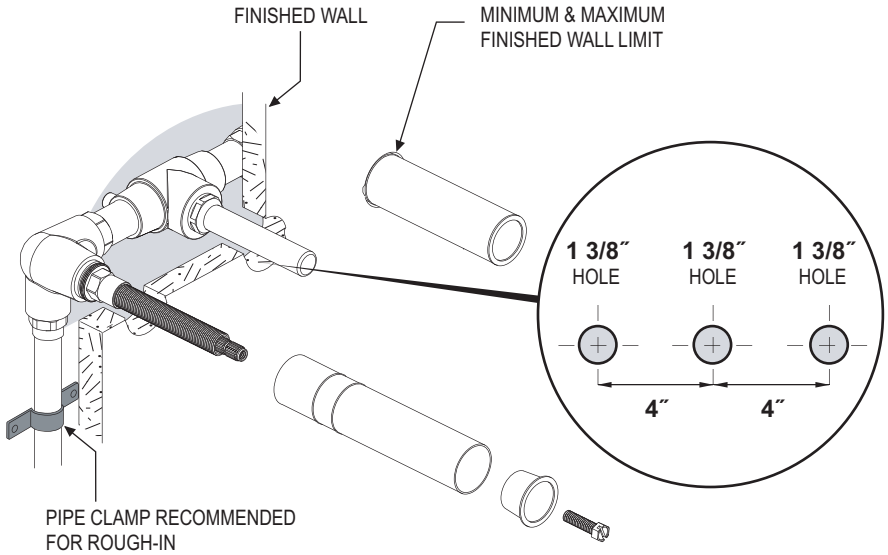
Always turn the water supply off before removing the existing faucet or disassembling a valve. Open both faucet handles to relieve water pressure and to ensure that the water has been successfully turned off.

CARE OF FAUCET:

The use of warm water and a soft cloth is all that is required to clean Rubinet products. The patina of our living finishes (Oil Rubbed Bronze & Tuscan Brass) will change as a result of normal use. Applying Mineral Oil on occasion will create a softer look, subtle color changes and character.

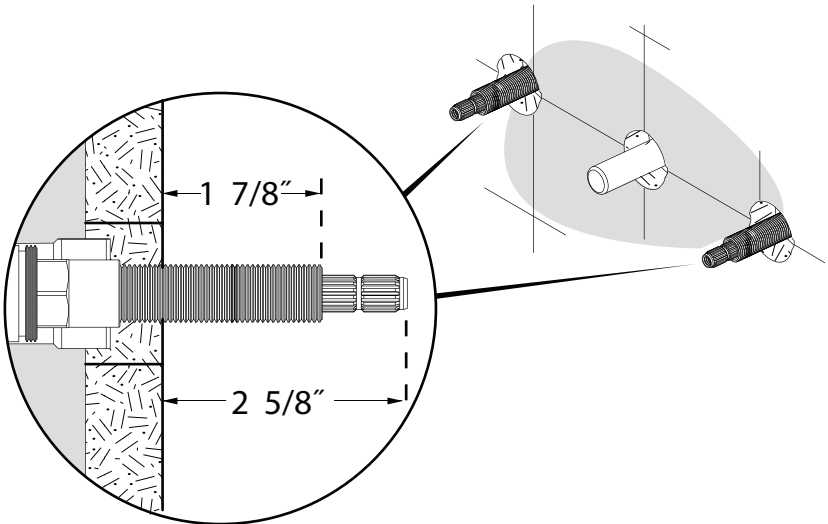
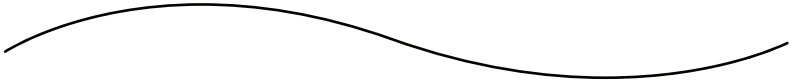
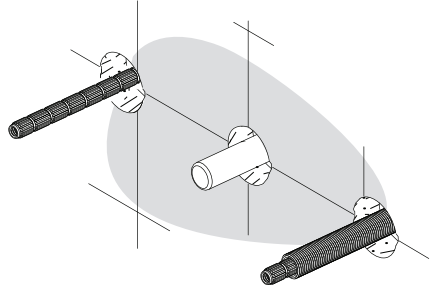
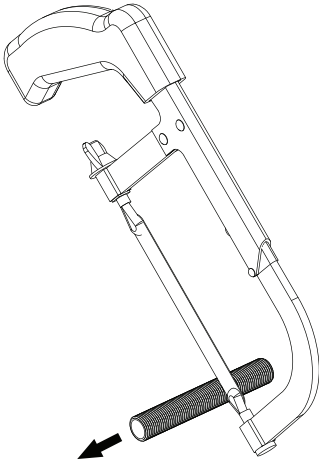


1



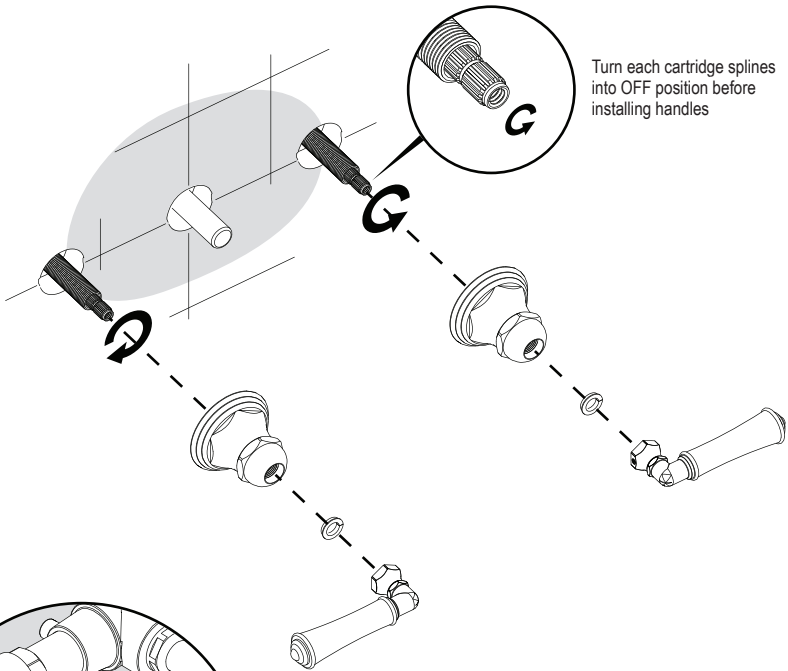
*Must refer to the maximum and minimum wall limit guide. The valves must be secured to ensure proper trim installation.

2

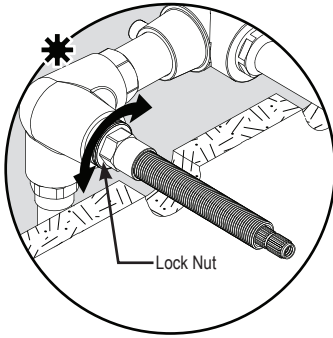


* Mark each Threaded Sleeve 1 7/8" (47.5 mm) from the finished wall. Also mark the Cartridge Splines 2 5/8" (66.5 mm) from the finished wall. Cut both sleeves and splines as marked.

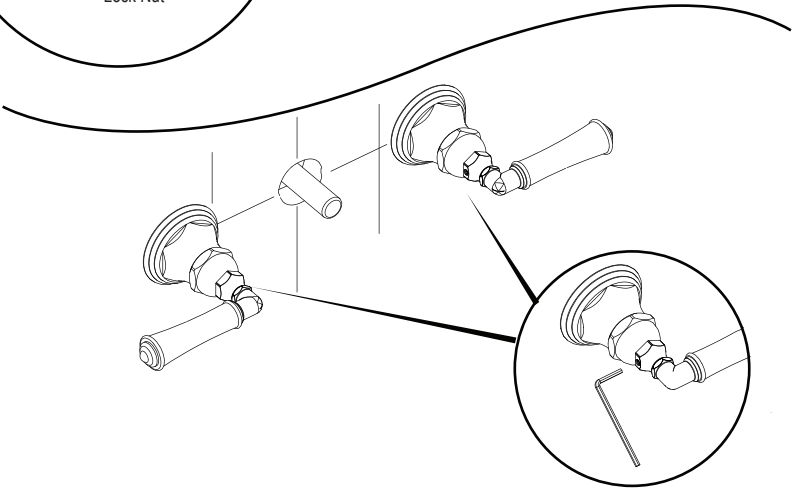
3



Turn each cartridge splines into OFF position before installing handles

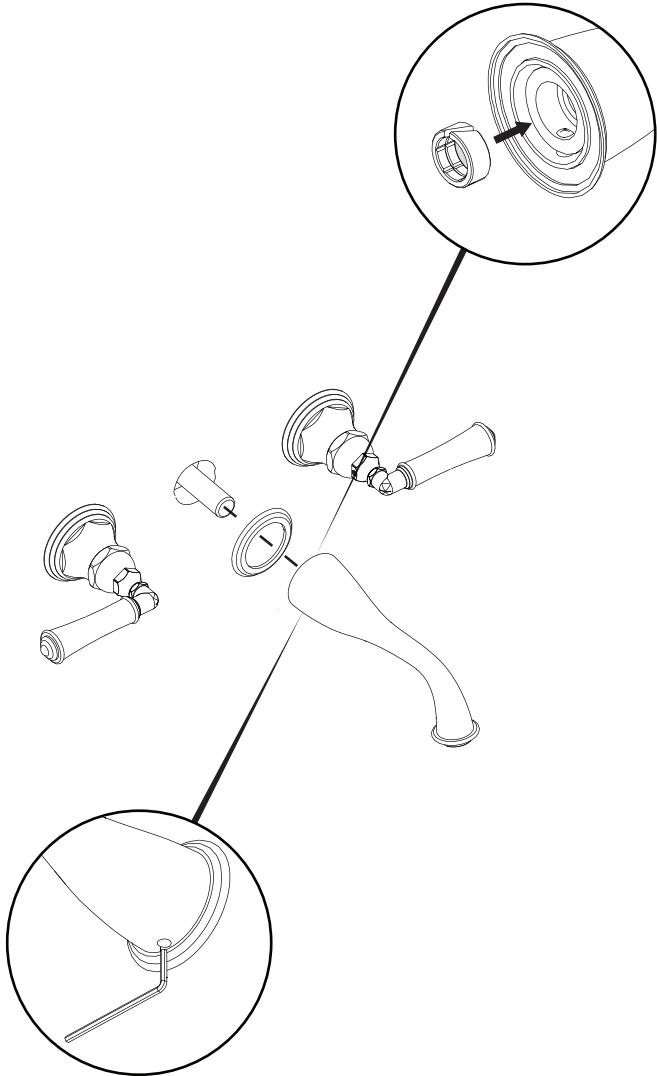


*** IF THE HANDLES DO NOT ALIGN AS REQUIRED**
you can adjust them. Please refer to the 'Handle Alignment'
instruction at the back.




Secure Handles

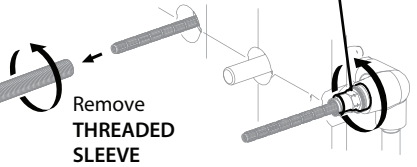
Pre-assembled Spout Ring

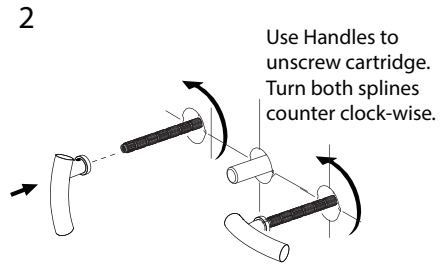


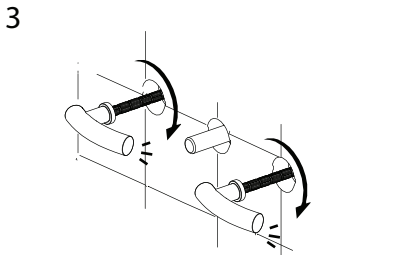
Secure Spout

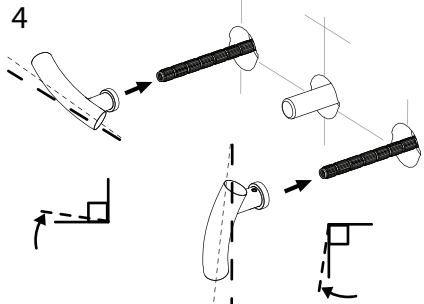
HANDLE ALIGNMENT (1G)

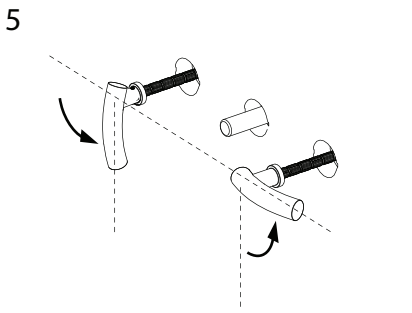
1  **LOCK NUT**
Loosen the lock nut using
*** 17mm Deep Socket.**
1/2" Drive

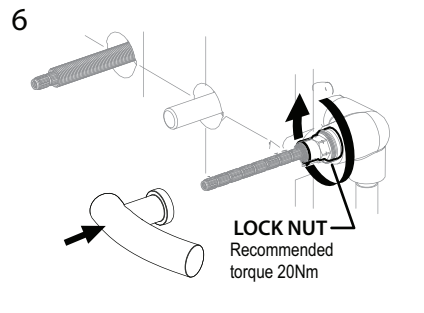
 Remove
**THREADED
SLEEVE**

2  Use Handles to
unscrew cartridge.
Turn both splines
counter clock-wise.

3  Once cartridge valves are loose, screw them
back into the faucet using the handle.
Stop when you feel a noticeable resistance.
Then remove handles.

4  Replace Left Handle (hot) **one tooth off**
from the **OFF** position as shown.
And Right Handle (cold) **one tooth off**
from the **ON** position as shown.

5  Turn the handles to the desired alignment.
(This will unscrew the cartridge)
This adjustment should not be more than 25°.

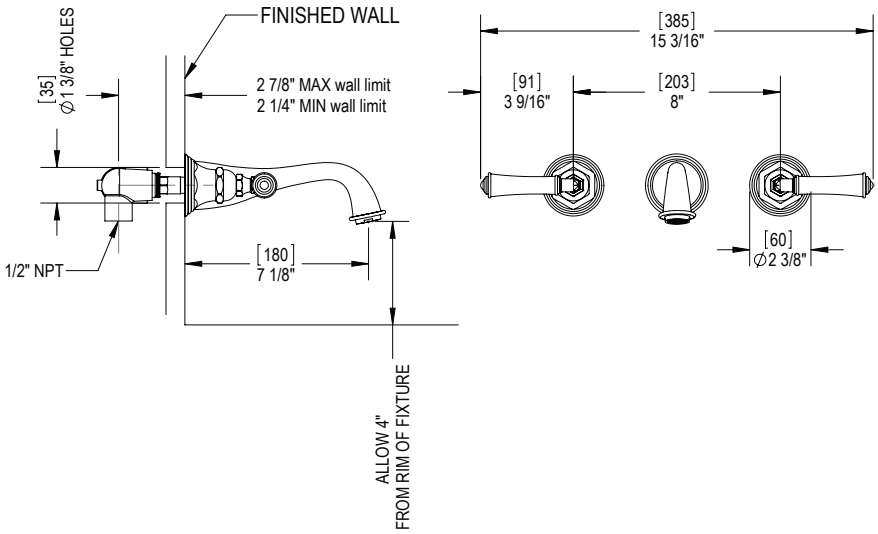
6  **LOCK NUT**
Recommended
torque 20Nm
Tighten Lock Nut using **17mm Deep Socket.**
wrench to secure cartridge valve position.
*Use handle to hold spline while tightening.

FEATURES:

- Brass construction with choice of 21 finishes
- Two Cross or Lever handles
- Quarter-turn ceramic disk cartridges
- 1.5 gpm @ 60 psi (Helps meet CalGreen regulation)

APPROVAL:

- AB1953 / NSF61
- ASME A 112.18.1
- CSA B125.1



CONTACT US:

If you need assistance with installation, replacement parts or have any questions regarding your Rubinet product, please call a Customer Service representative at: 905-851-6781 toll free 1-800-461-5901 or visit www.rubinet.com