

**ASSEMBLY INSTRUCTION****1GLAL - C - R**

WALL MOUNT LAVATORY SET

**1GLAL****1GLAC****1GLAR****REMOVAL OF FAUCET:**

Always turn the water supply off before removing the existing faucet or disassembling a valve. Open both faucet handles to relieve water pressure and to ensure that the water has been successfully turned off.

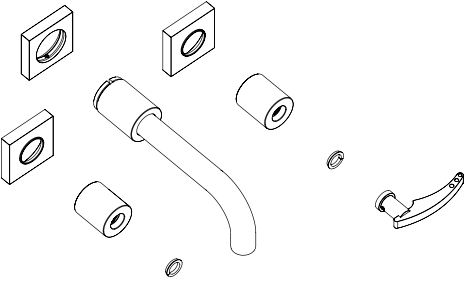
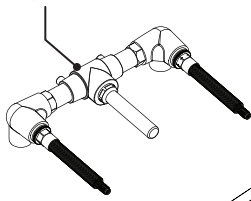
**CARE OF FAUCET:**

The use of warm water and a soft cloth is all that is required to clean Rubinet products. The patina of our living finishes (Oil Rubbed Bronze & Tuscan Brass) will change as a result of normal use. Applying Mineral Oil on occasion will create a softer look, subtle color changes and character.

**CONTACT US:**

If you need assistance with installation, replacement parts or have any questions regarding your Rubinet product, please call a Customer Service representative at: 905-851-6781 toll free 1-800-461-5901 or visit [www.rubinet.com](http://www.rubinet.com)

1GR100  
Wall Mount Valve  
Rough-In

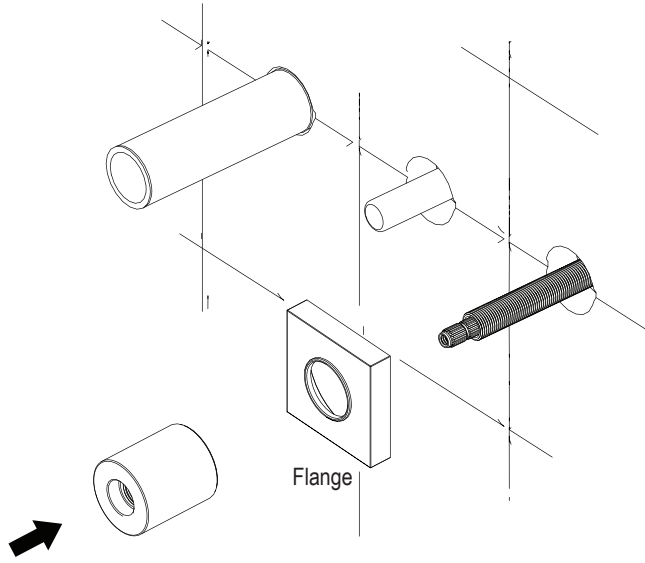


HLA01  
Lever Handle

HLA04  
Cross Handle

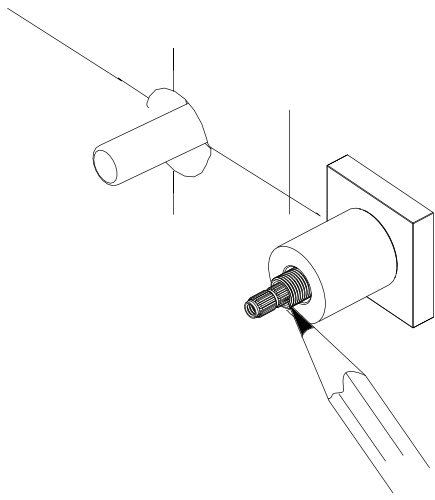
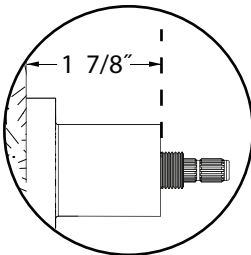


1

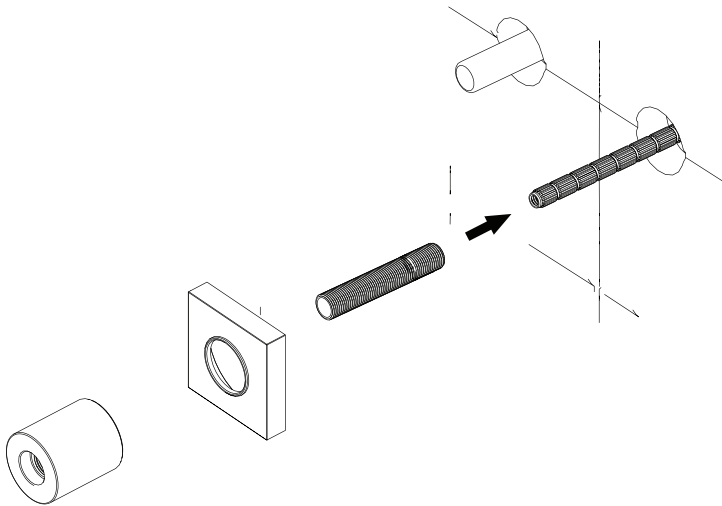
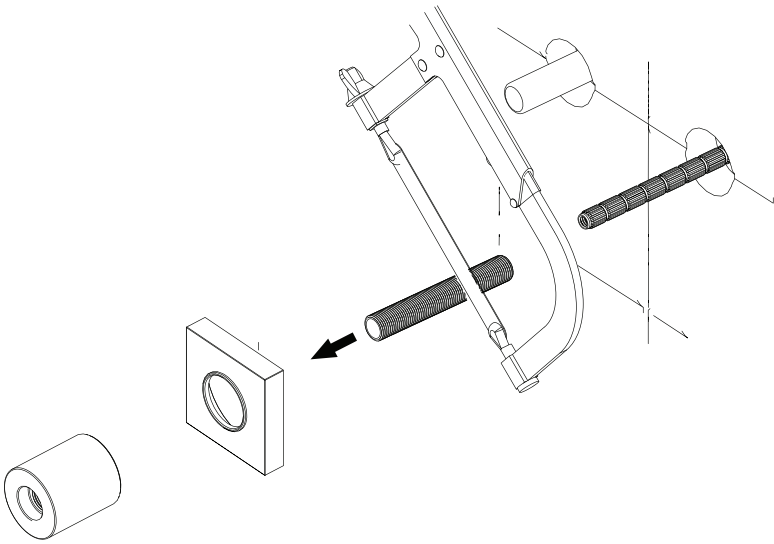


Flange

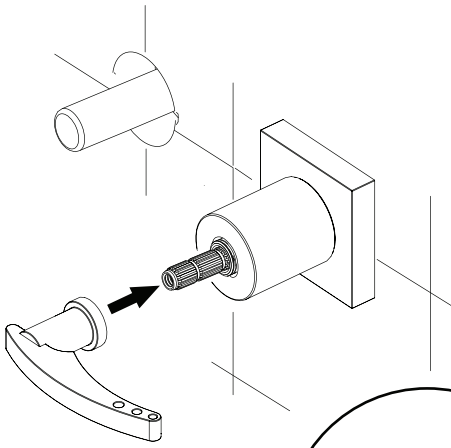
**MUST CUT FLUSH  
TO THE FLANGE TRIM**  
\* 1 7/8" (47.5mm)  
from the finished wall



2

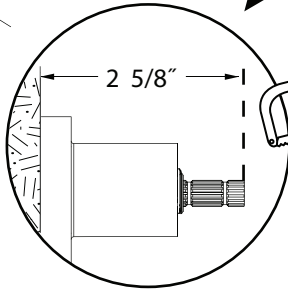
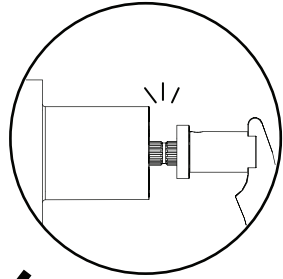


3



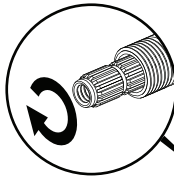
Place handle on the spline.

IF THE HANDLE DOES NOT FIT

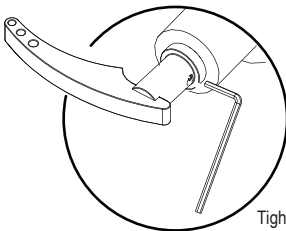


CUT THE SPLINE TO FIT  
\* 2 5/8" (67 mm)  
from the finished wall

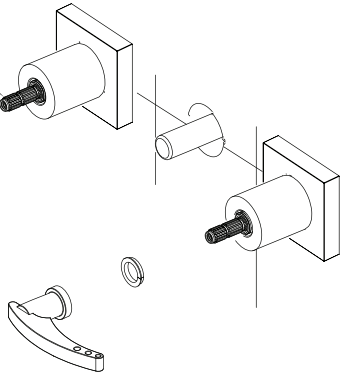
Turn each cartridge  
splines into **OFF** position  
before installing handles



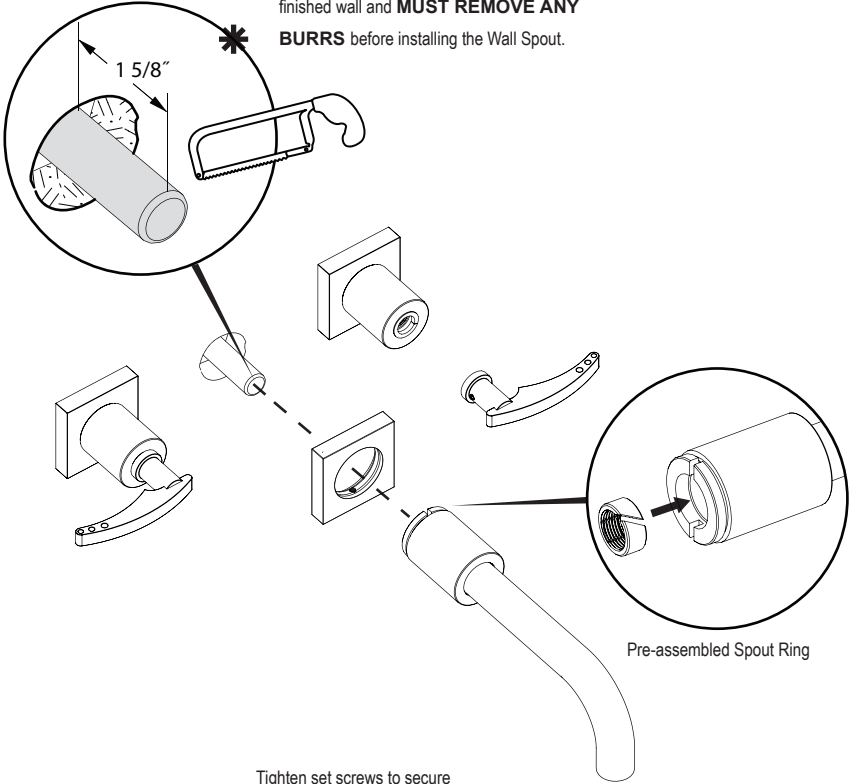
Flange  
Bushing



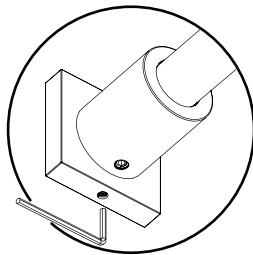
Tighten set screws to secure



\* Cut the Slip-Fit Shank 1 5/8" long from the finished wall and **MUST REMOVE ANY BURRS** before installing the Wall Spout.



Tighten set screws to secure



**IF THE HANDLES DO NOT ALIGN CORRECTLY**

You can adjust them. Please refer to the  
'Handle Alignment' instruction at the back.

