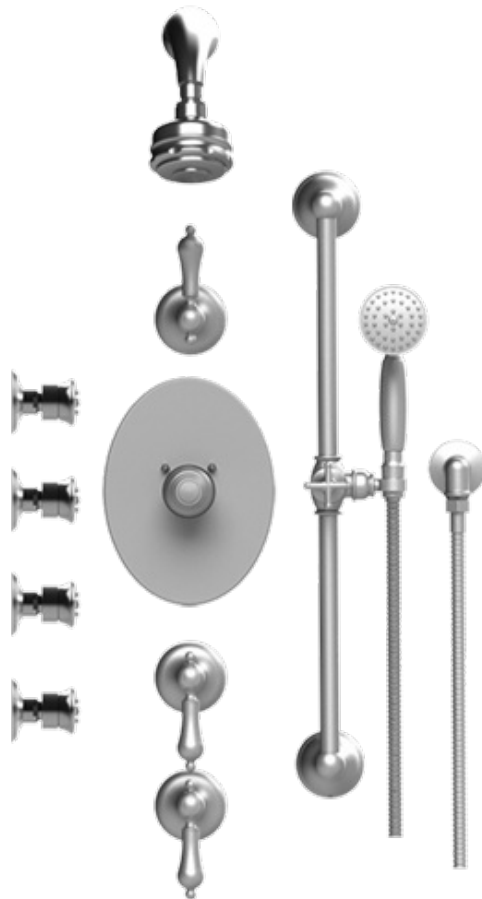
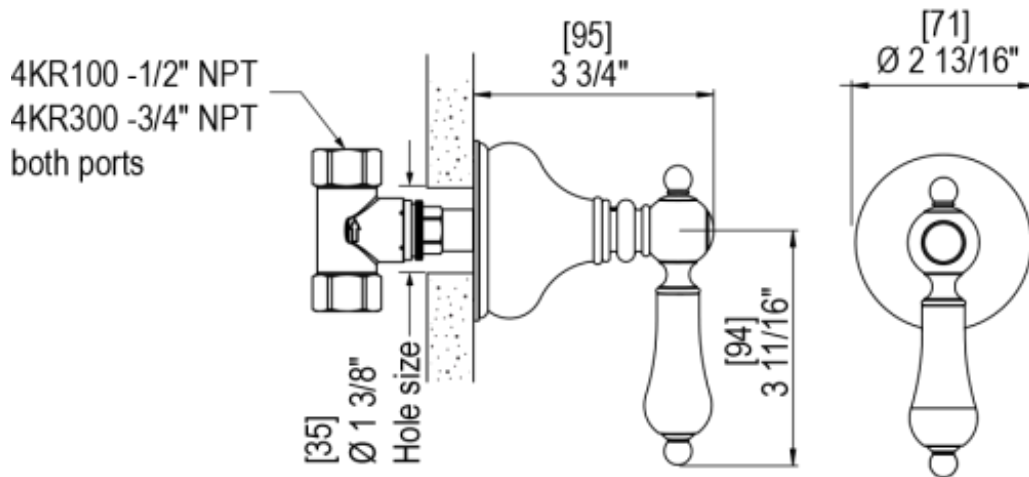


45RMLCHCH Specifications



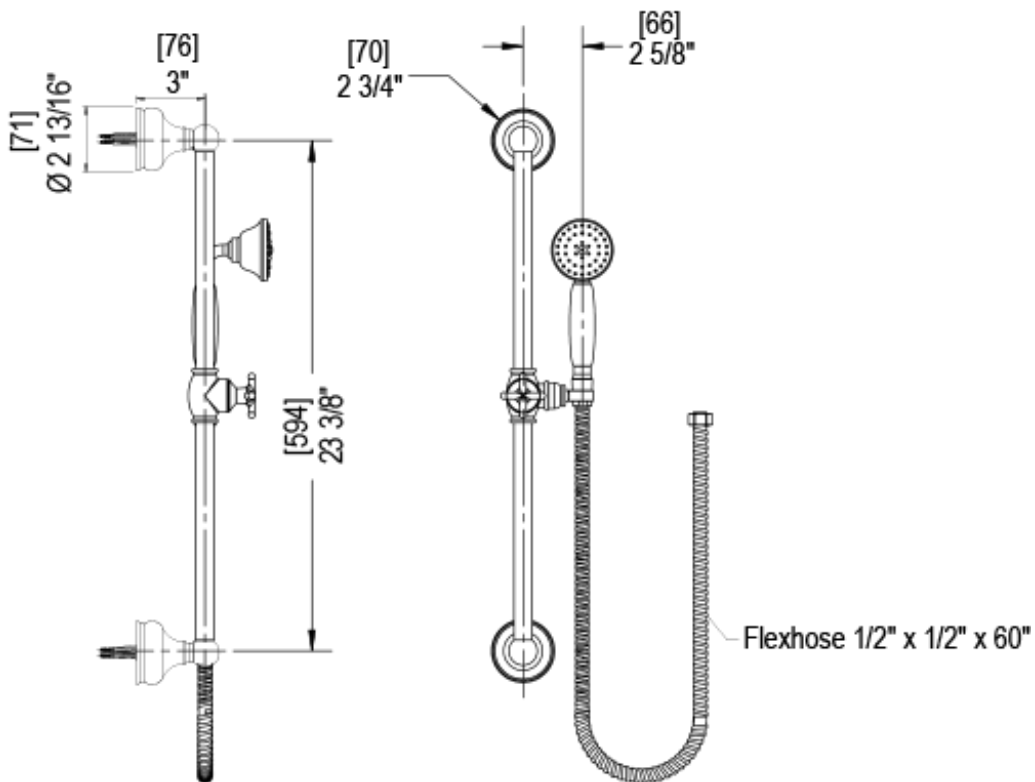


VOLUME CONTROL VALVE TRIM ONLY



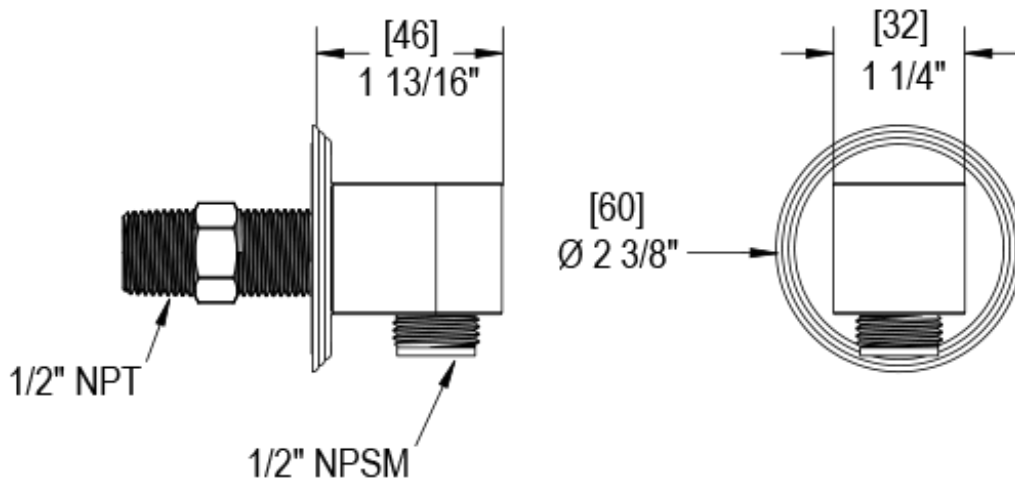


ADJUSTABLE SLIDE BAR WITH HAND HELD SHOWER ASSEMBLY



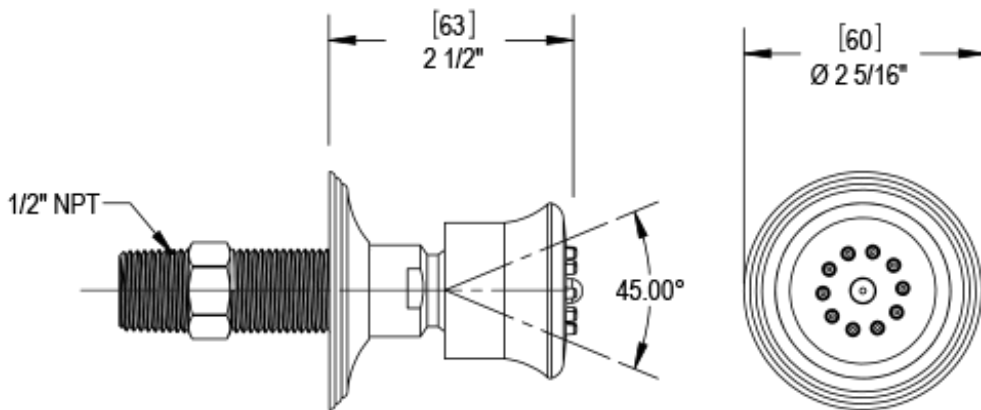


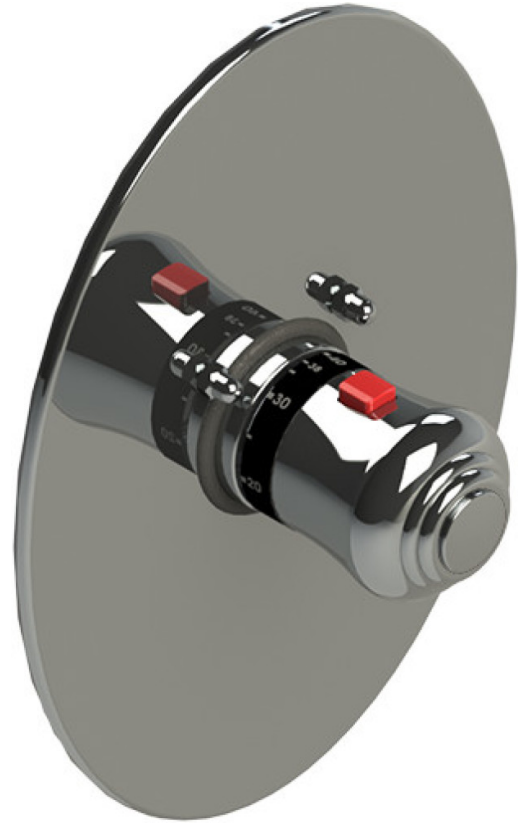
INTEGRAL SUPPLY WITH 1/2" NPT X 1/2" NPSM X 3" NIPPLE



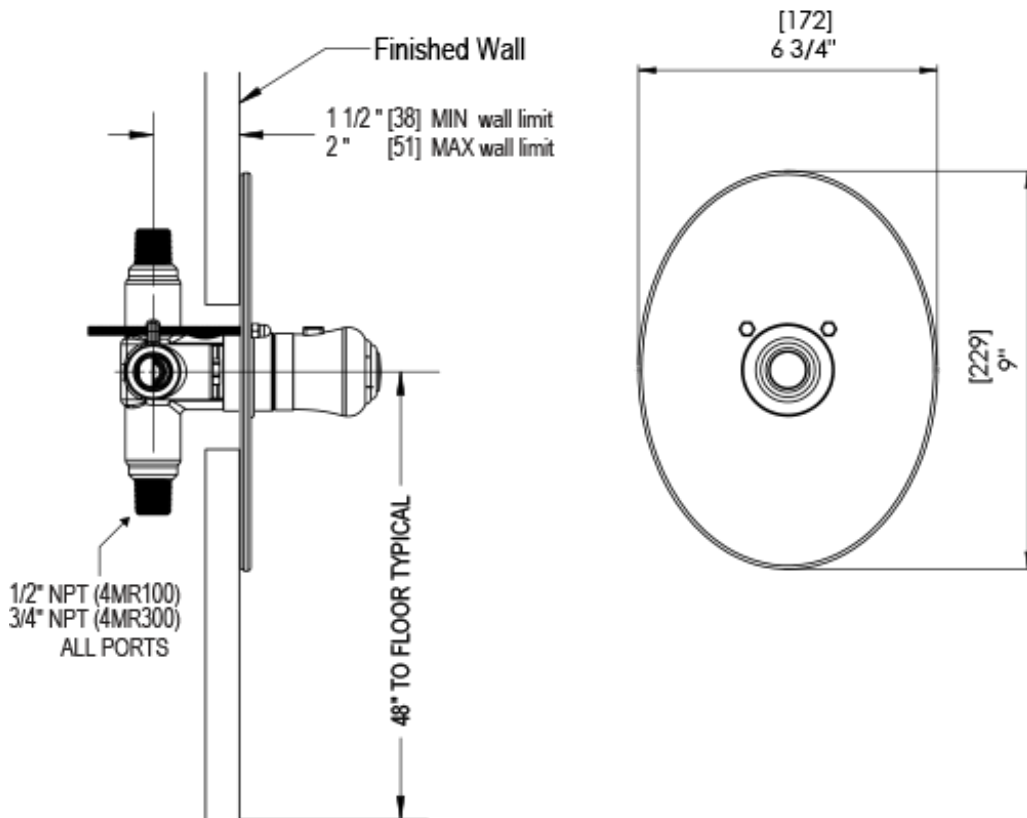


BODY SPRAY WITH 1/2" NPT X 1/2" NPSM X 3" NIPPLE X QTY 4 INCLUDED





TEMPERATURE CONTROL VALVE WITH STOPS TRIM ONLY





3 FUNCTION SHOWER HEAD WITH 8" SHOWER ARM & FLANGE

