



# ELLIOT

## INSTALLATION GUIDE

### **FCB4130**

## CONTENTS:

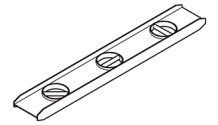
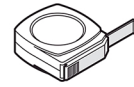
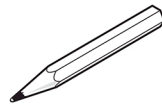
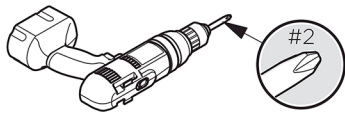
Cabinet.....	FCB4130.....	PAGE 2
Top.....	FCT2030.....	PAGE 4



# FCB4130 ELLIOT INSTALLATION GUIDE

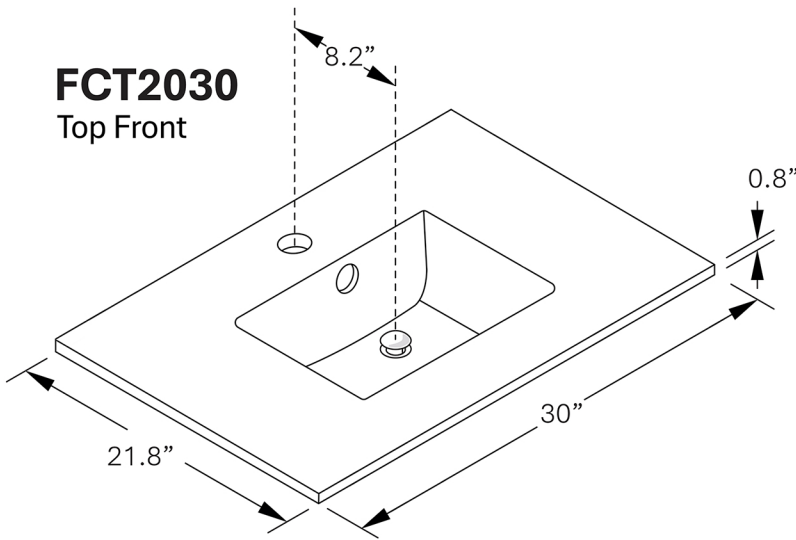


## TOOLS FOR ASSEMBLY

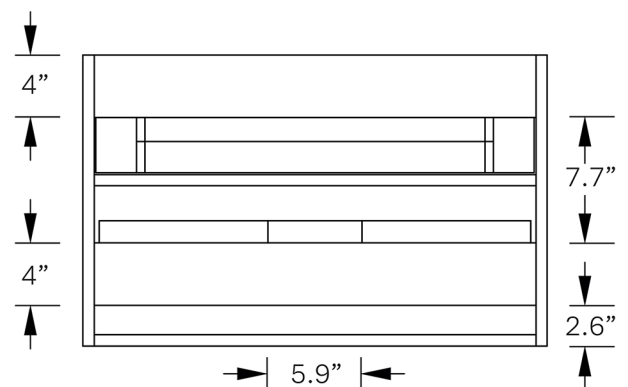
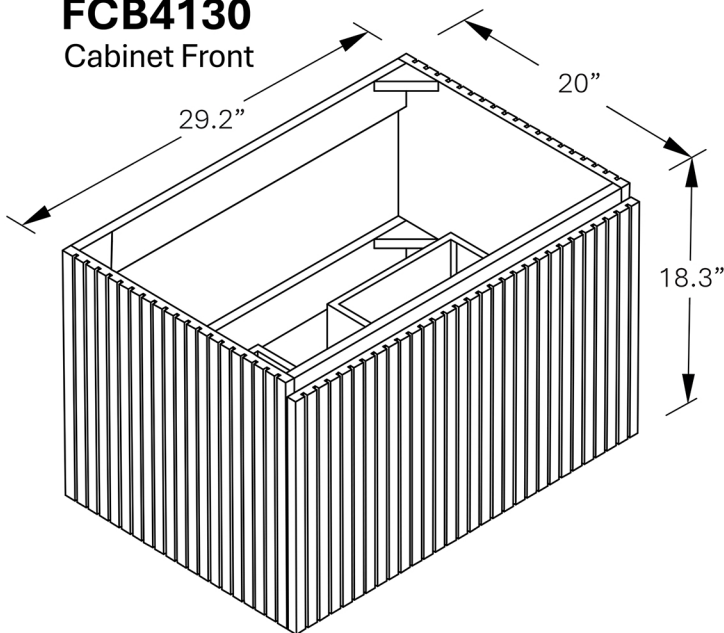


## CONTENTS

**FCT2030**  
Top Front



**FCB4130**  
Cabinet Front



**FCB4130**  
Cabinet Back

>All dimensions & specifications are approximate and subject to change without notice.



**FCB4130**

**ELLIOT**

**INSTALLATION GUIDE**

PAGE 2

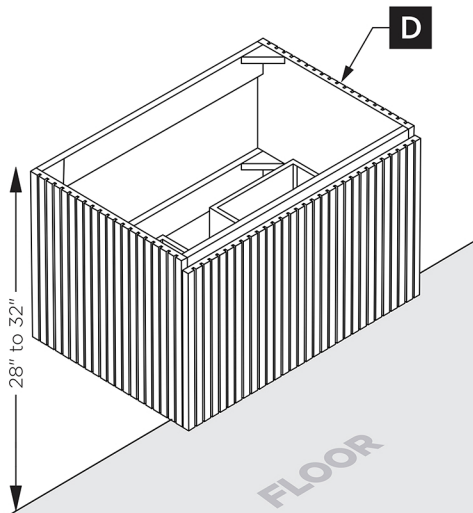


# FCB4130 ELLIOT INSTALLATION GUIDE

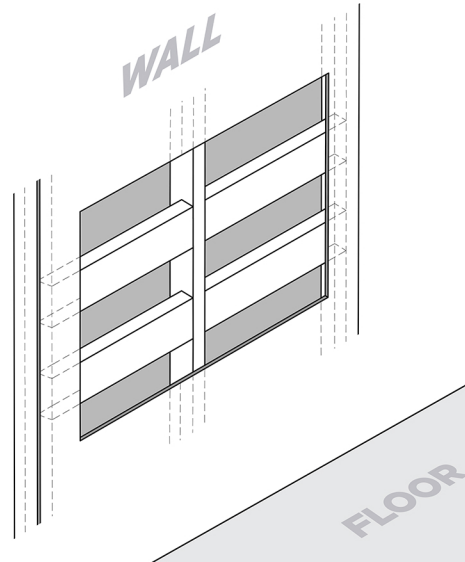


## CABINET INSTALLATION

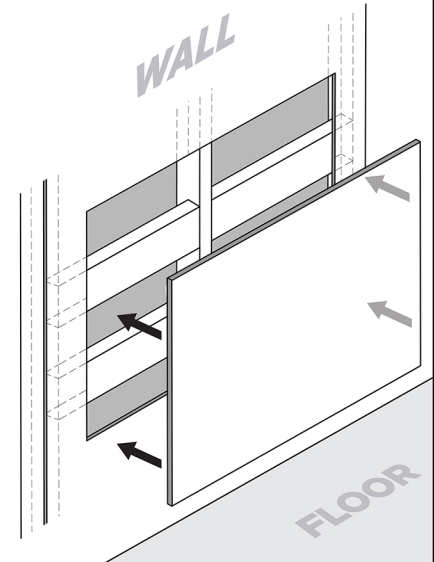
- 1** Place cabinet (D) in designated location and mark the height position on the wall.



- 2** Verify that brackets will be secured to a stud or blocking board. Install blocking boards (2"x6" recommended) between studs at marked location as required.

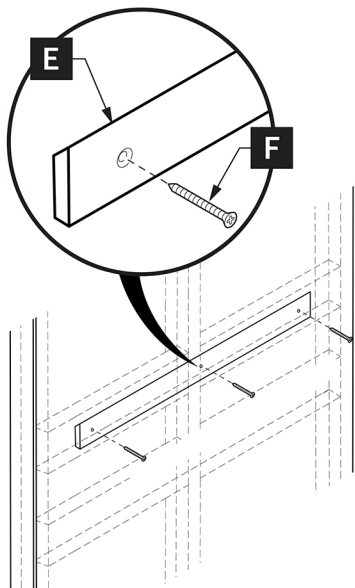
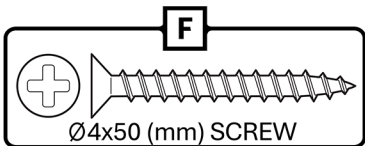


- 3** Replace wall board over backing board opening.

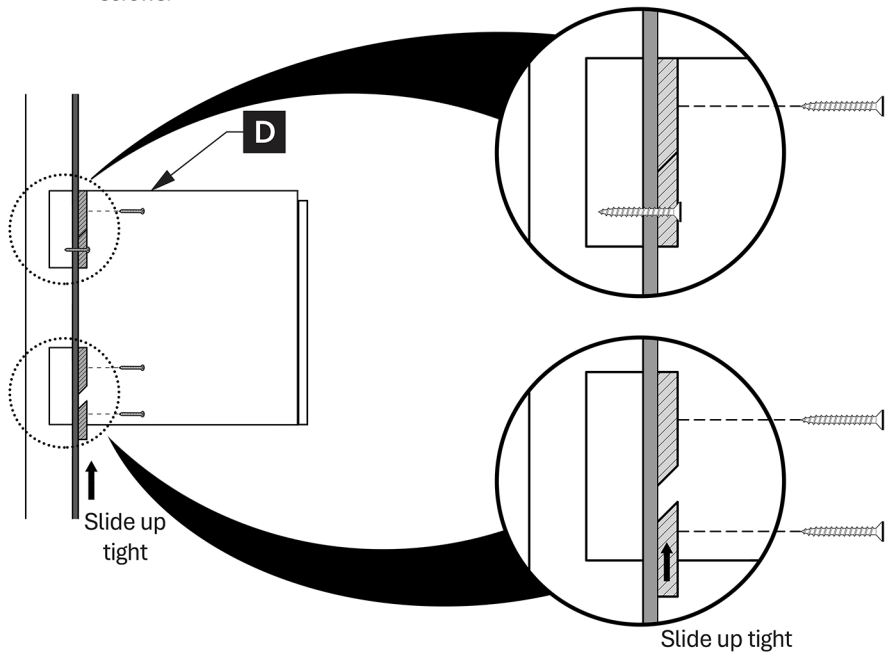


**IMPORTANT:** All brackets must be secured by screw to a stud or blocking boards. Consult an expert when adding backing boards and for proper screws/bolts to use when attaching to various constructions. Screws provided **do not** attach to a II construction types. Anchors are not required if brackets are installed in stud or blocking board.

- 4** Attach the wall brackets (E) to the wall with the screws (F).



- 5** Apply a bead of silicone on the back of the cabinet and hang cabinet (D) on the brackets. Add screws to lock into place. Slide up tight and add bottom support screws.



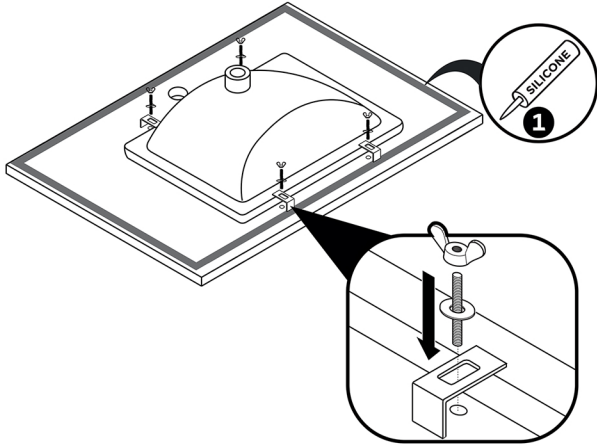


# FCB4130 ELLIOT INSTALLATION GUIDE

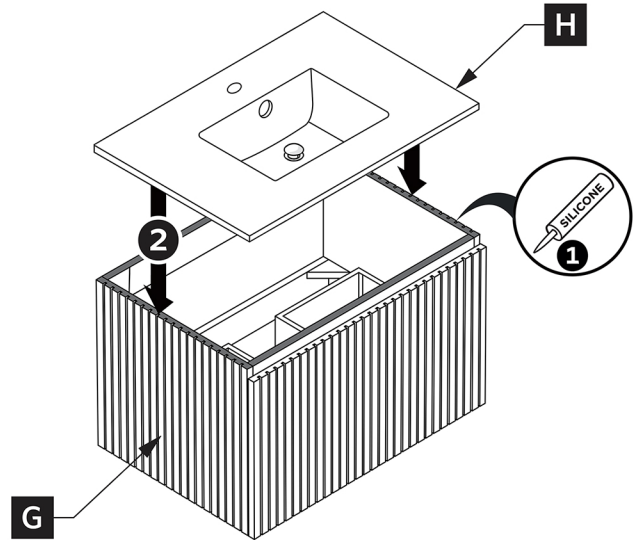


## CABINET INSTALLATION

- 6** Flip the counter top upside down and attach sink to it using provided brackets & screws.  
Apply silicone sealant bead between sink top and bottom side of vanity top.

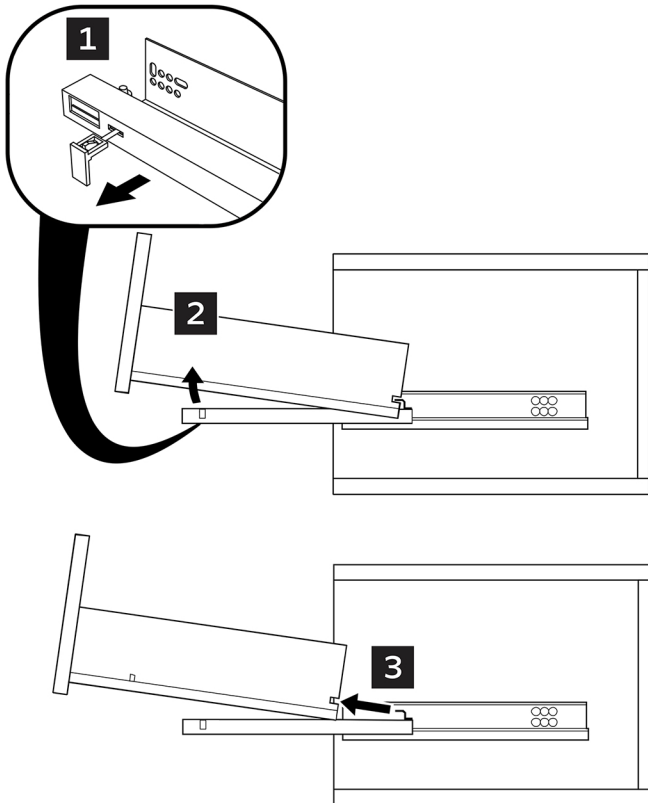


- 7** Put a bead of silicone on the top of the cabinet (G) then place a sink (H) on the top of it.  
Apply silicone bead between vanity and vanity top.

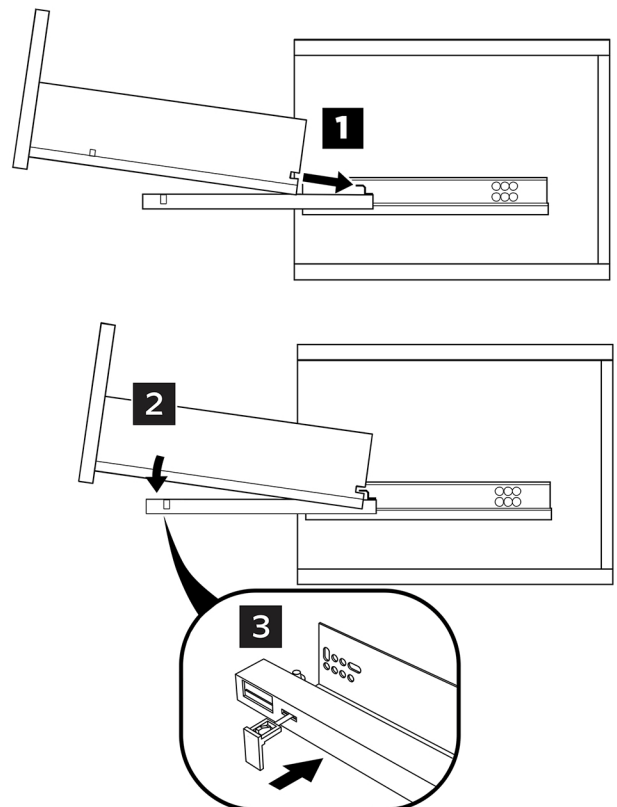


## DRAWER REMOVAL & INSTALLATION

### DRAWER REMOVAL



### DRAWER INSTALLATION



FCB4130

ELLIOT

INSTALLATION GUIDE

PAGE 4