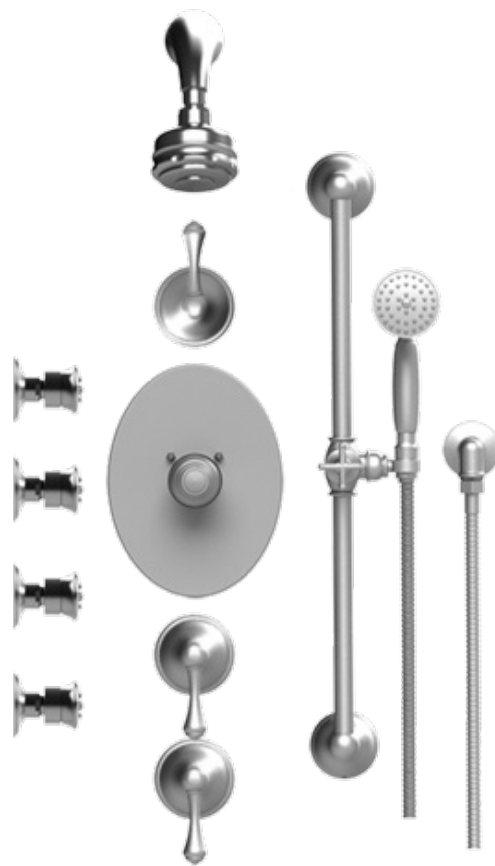
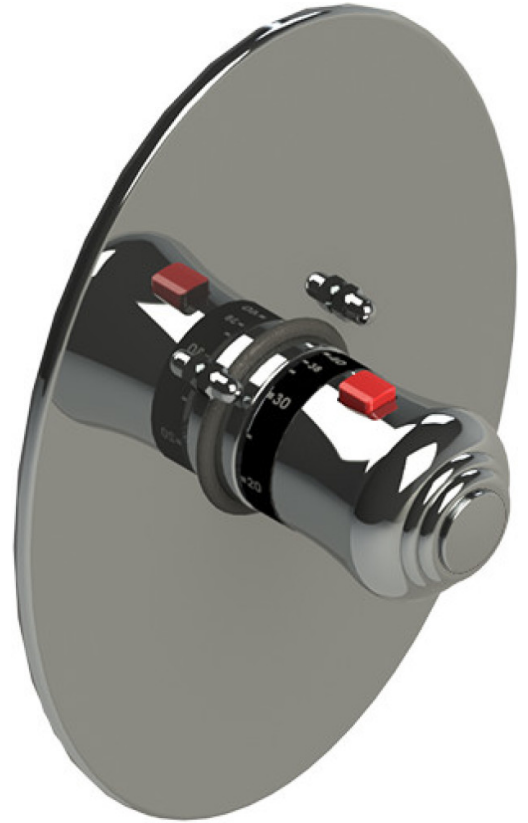
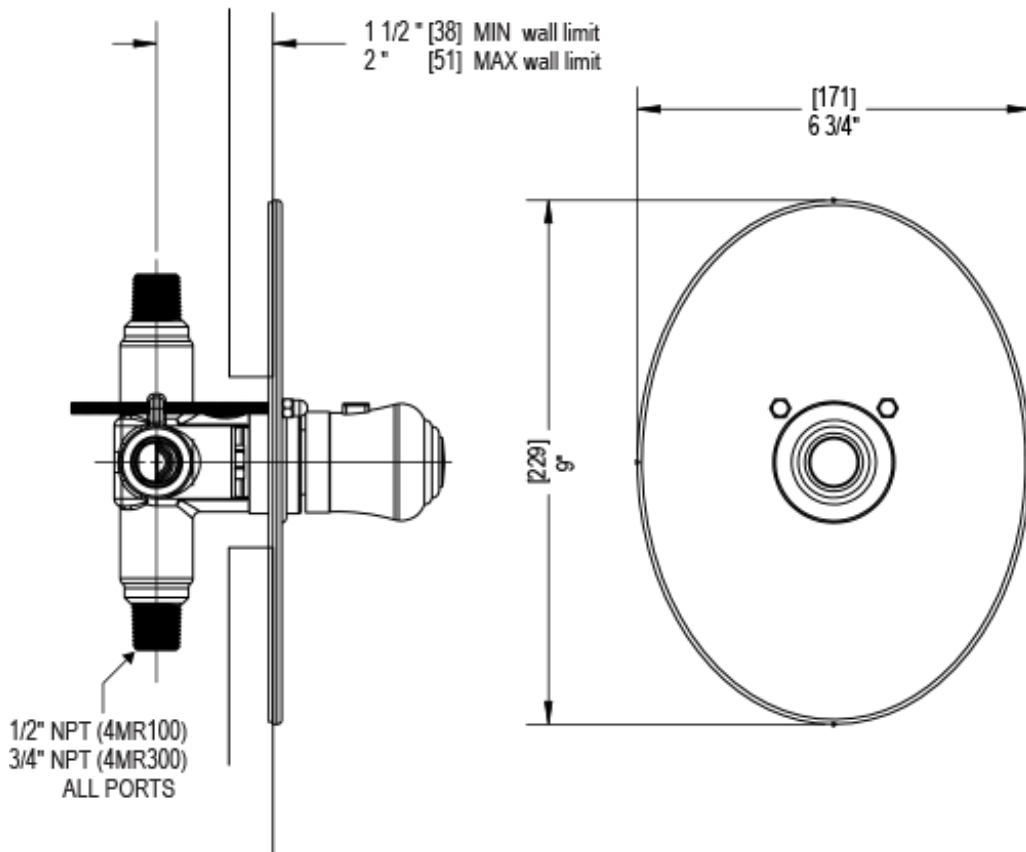


# 45FMCCHCH Specifications



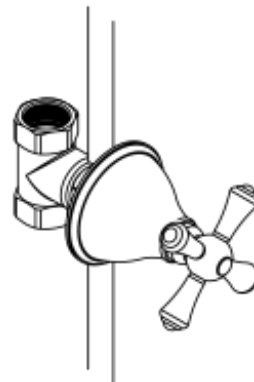
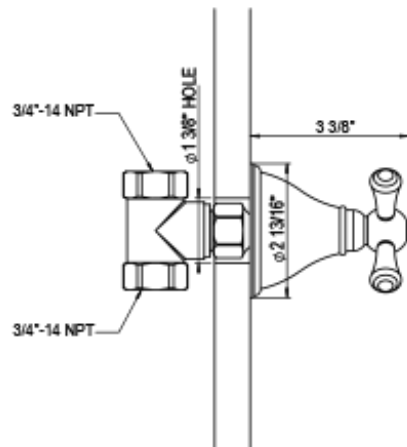
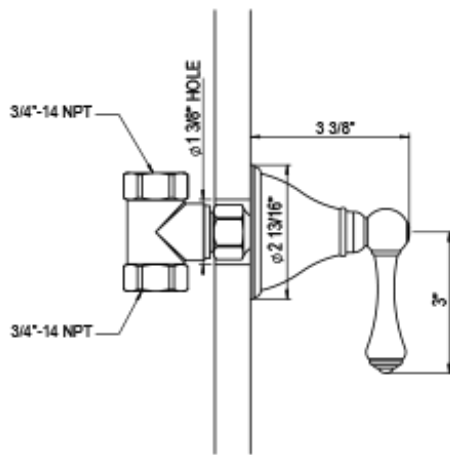


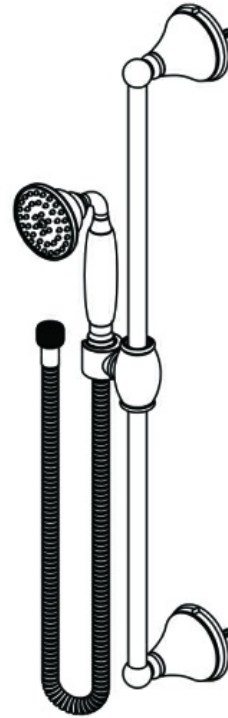
TEMPERATURE CONTROL VALVE WITH STOPS TRIM ONLY



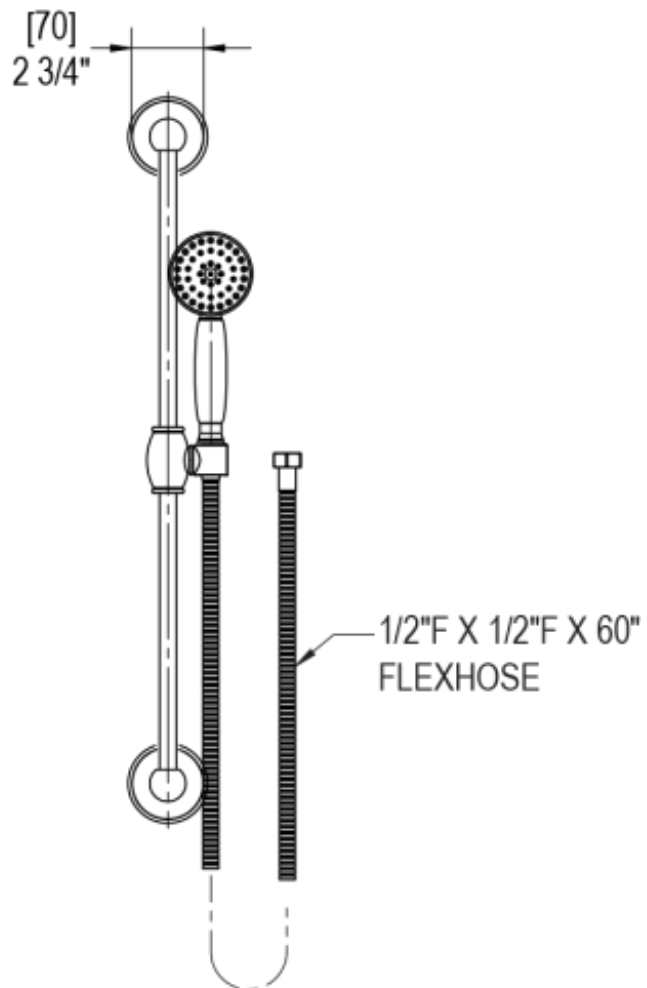
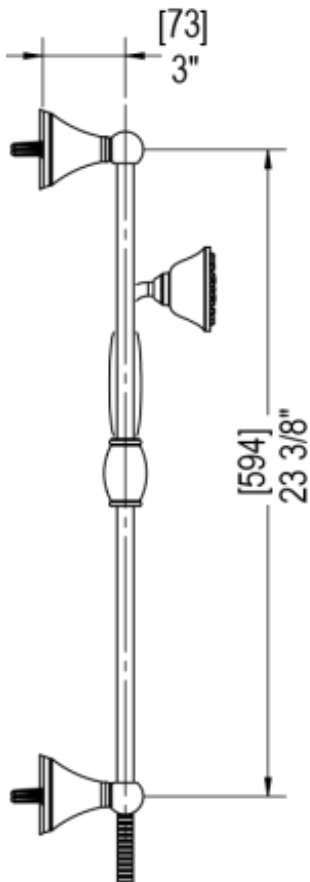


VOLUME CONTROL VALVE TRIM ONLY



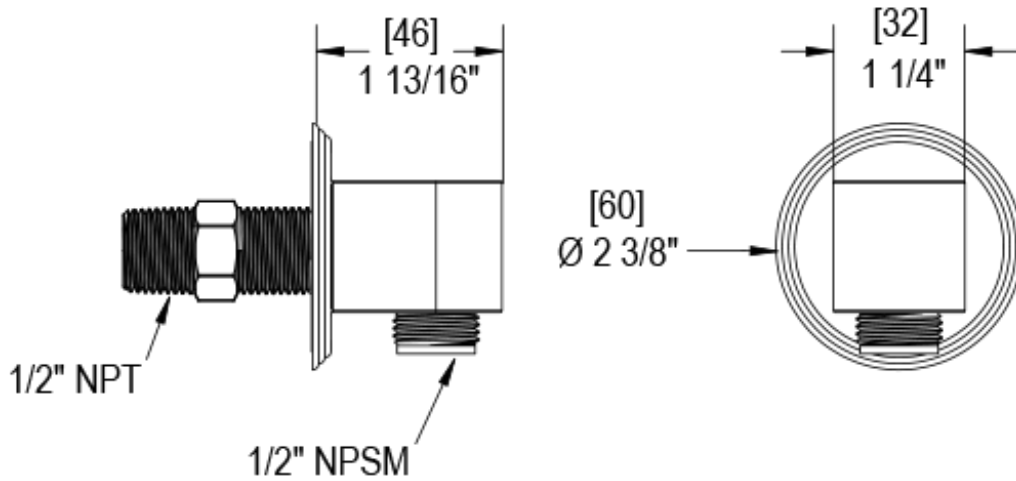


ADJUSTABLE SLIDE BAR WITH HAND HELD SHOWER ASSEMBLY



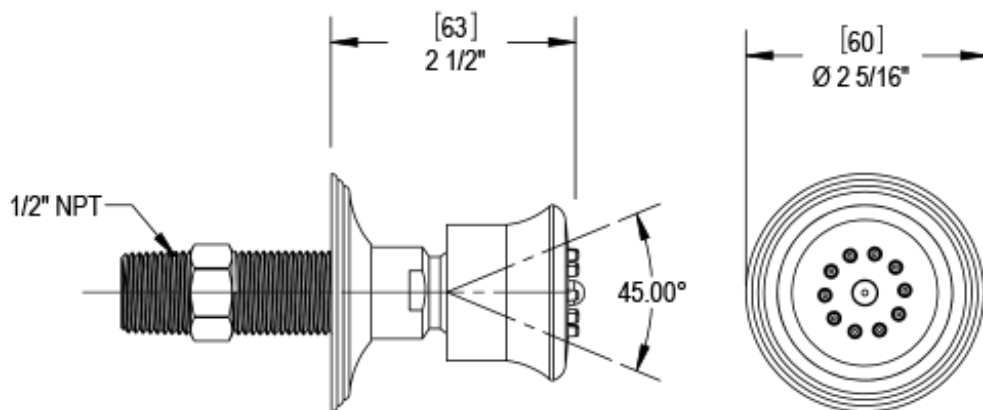


INTEGRAL SUPPLY WITH 1/2" NPT X 1/2" NPSM X 3" NIPPLE





BODY SPRAY WITH 1/2" NPT X 1/2" NPSM X 3" NIPPLE X QTY 4 INCLUDED





3 FUNCTION SHOWER HEAD WITH 8" SHOWER ARM & FLANGE

