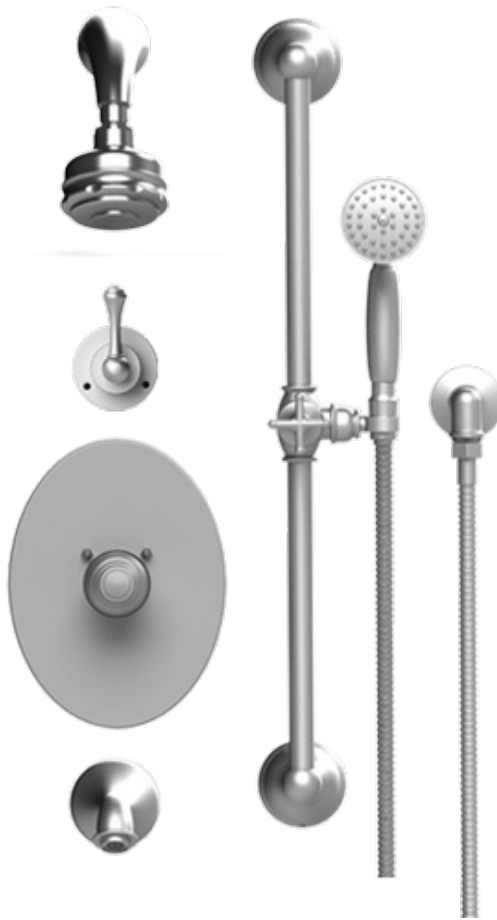
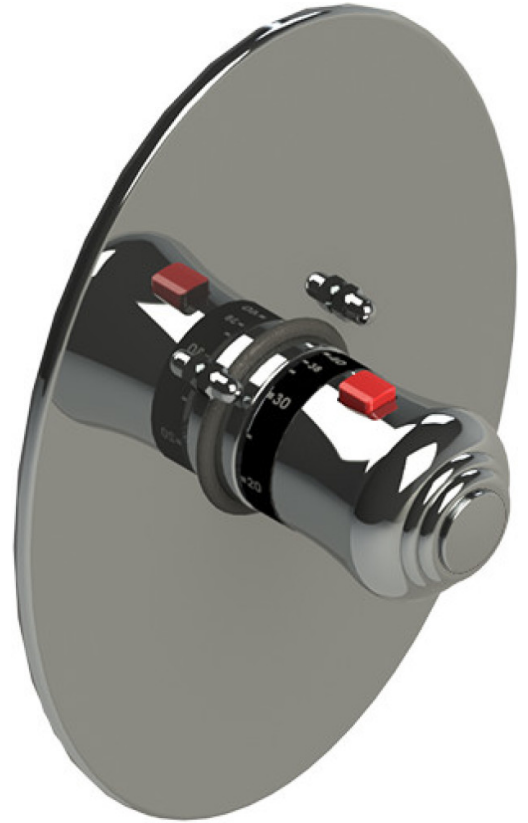


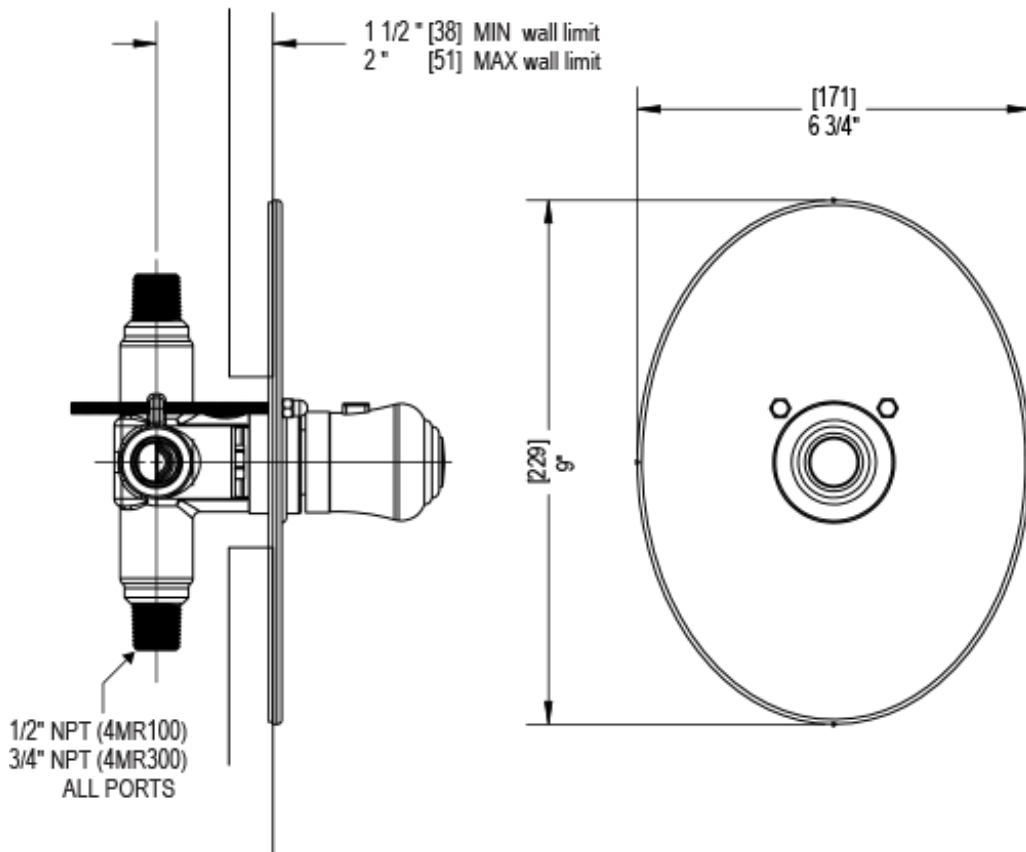
23FMLCHCH

Specifications



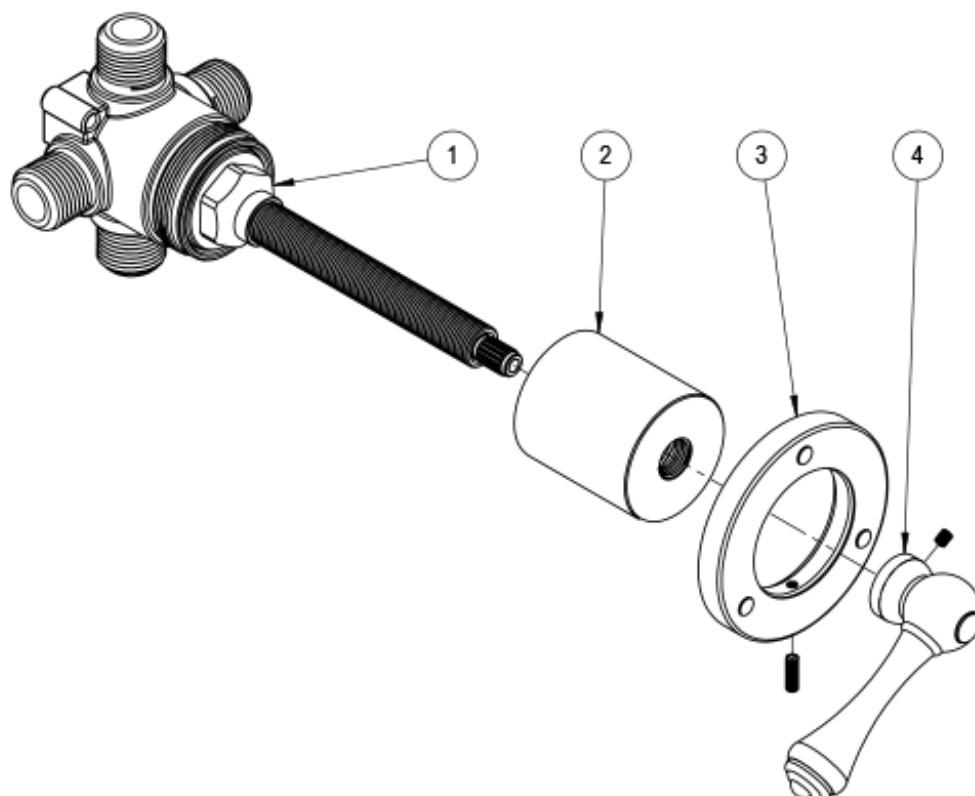


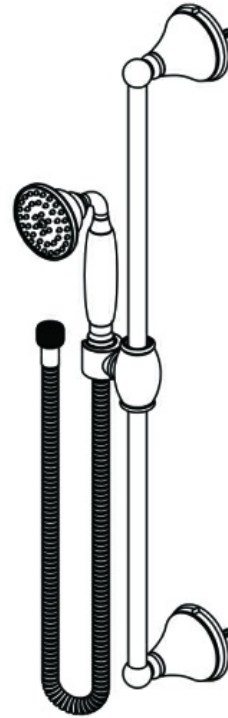
TEMPERATURE CONTROL VALVE WITH STOPS TRIM ONLY



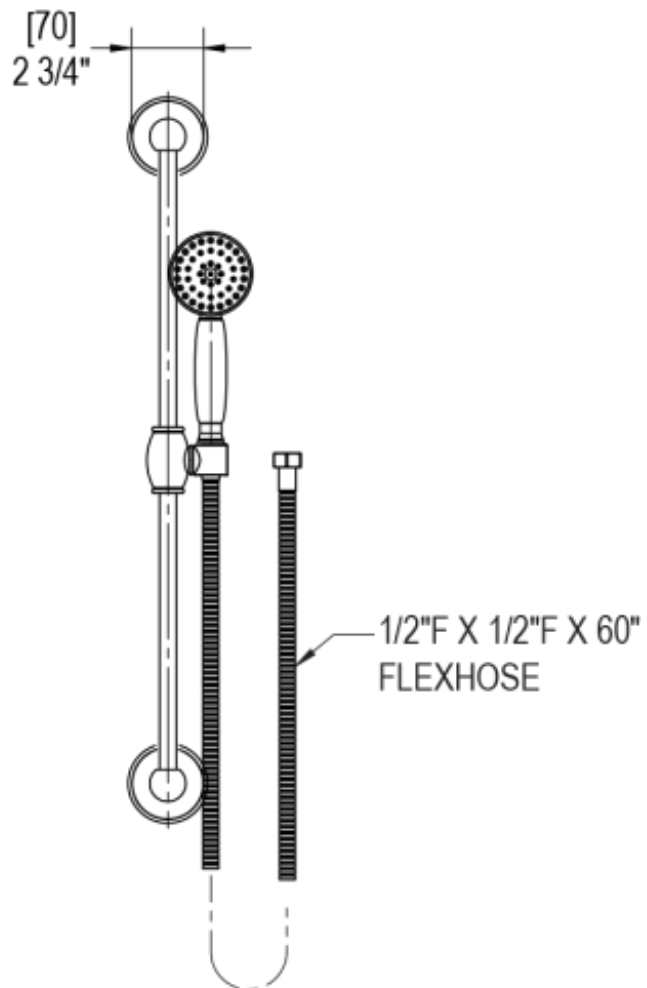
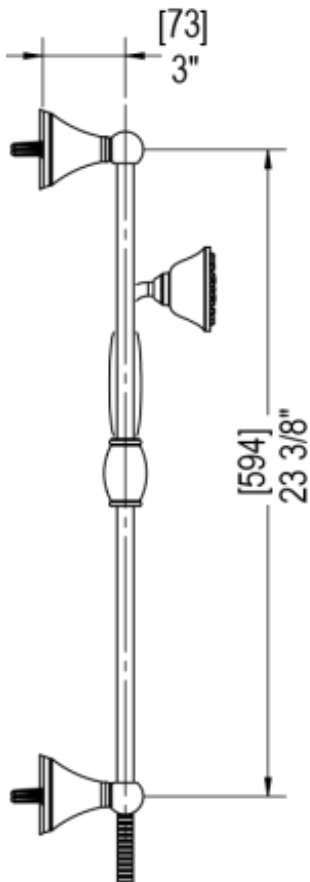


THREE WAY DIVERTER WITH SHUT-OFFS IN BETWEEN FUNCTIONS, TRIM ONLY



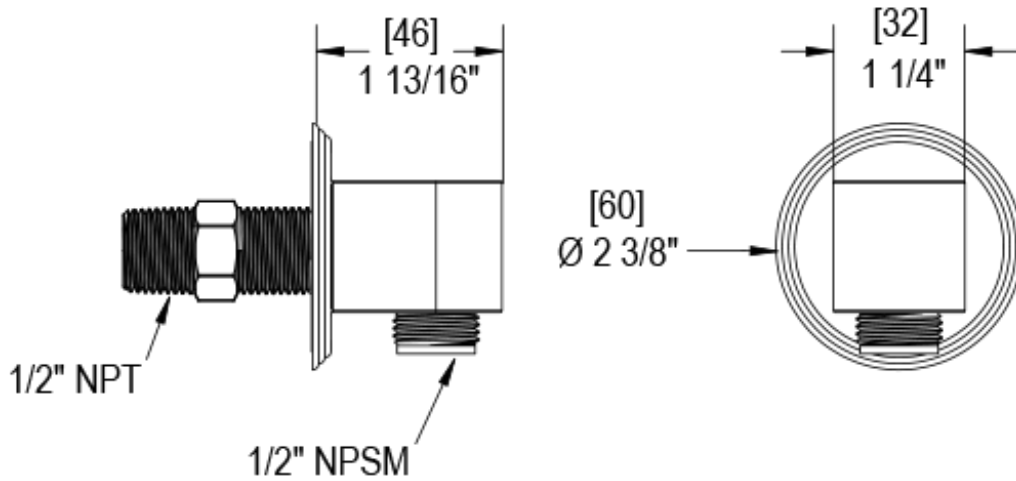


ADJUSTABLE SLIDE BAR WITH HAND HELD SHOWER ASSEMBLY



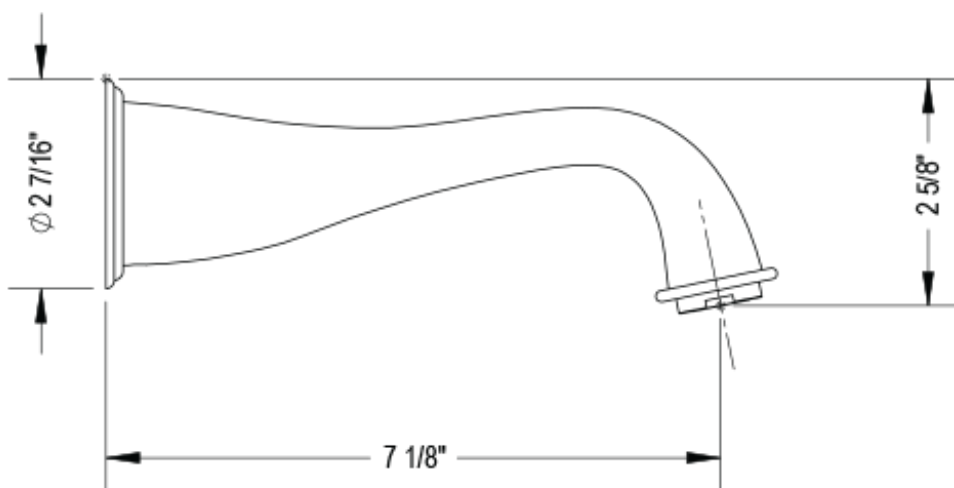


INTEGRAL SUPPLY WITH 1/2" NPT X 1/2" NPSM X 3" NIPPLE





WALL MOUNT TUB SPOUT. 1/2" SLIP FIT





3 FUNCTION SHOWER HEAD WITH 8" SHOWER ARM & FLANGE

