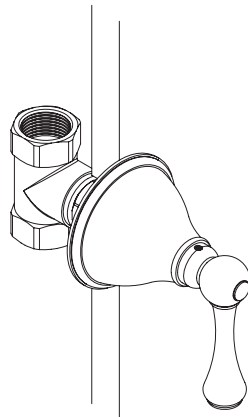
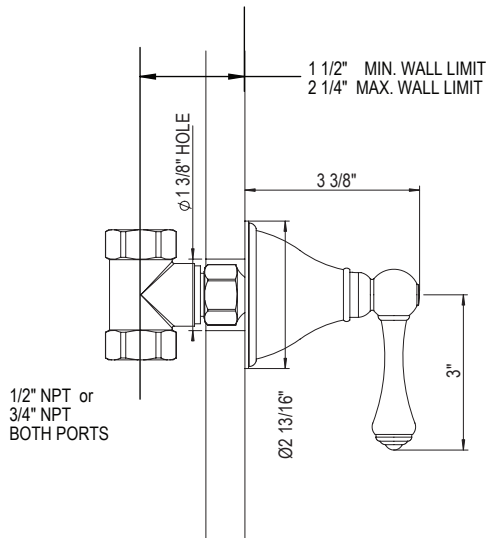
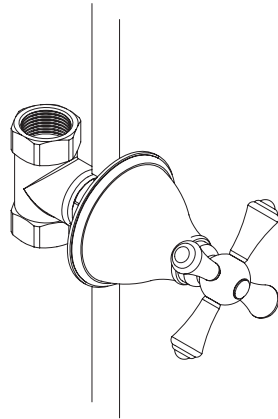
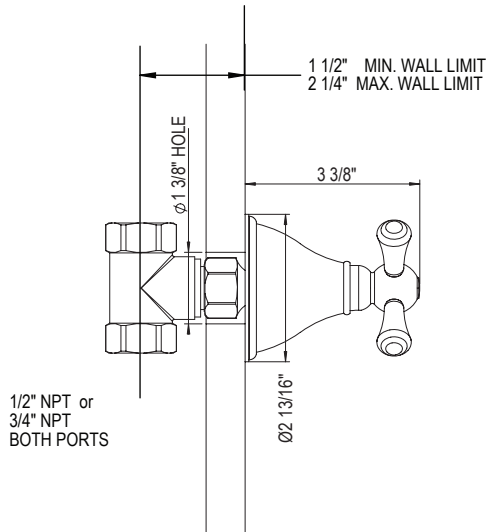


**FEATURES:**

- Brass construction with choice of 21 finishes
- Lever or Cross handle
- Quarter turn, ceramic disc cartridge
- 2.5 gpm @ 60 psi



150814

THE **Rubinet** FAUCET COMPANY

**ASSEMBLY INSTRUCTION**

**4E-4KFML or C**

VOLUME CONTROL VALVE



**4KFML ( 1/2" valve )  
4EFML ( 3/4" valve )**



**4KFMC ( 1/2" valve )  
4EFMC ( 3/4" valve )**

**REMOVAL OF FIXTURE:**

Always turn the water supply off before removing the existing fixture or disassembling a valve. Open all handles to relieve water pressure and to ensure that the water has been successfully turned off.

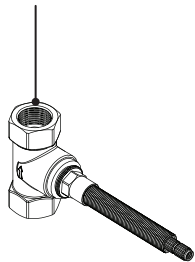
**CARE OF FIXTURE:**

The use of warm water and a soft cloth is all that is required to clean Rubinet products. The patina of our living finishes (Oil Rubbed Bronze & Tuscan Brass) will change as a result of normal use. Applying Mineral Oil on occasion will create a softer look, subtle color changes and character.

**CONTACT US:**

If you need assistance with installation, replacement parts or have any questions regarding your Rubinet product, please call a Customer Service representative at: 905-851-6781 toll free 1-800-461-5901 or visit [www.rubinet.com](http://www.rubinet.com)

4ER000 (3/4") /  
4KR000 (1/2")  
Rough-In Valve



9Y0FMFA1C  
Flange Nut



9Y0FMFA1B  
Flange



Flange  
Bushing



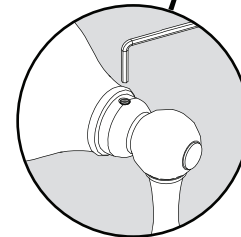
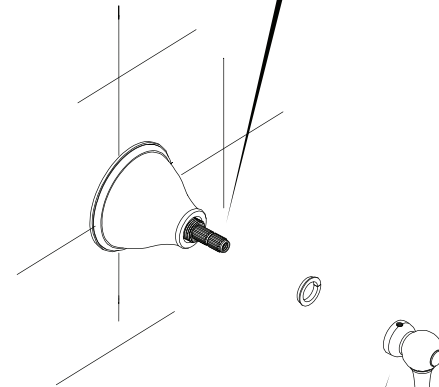
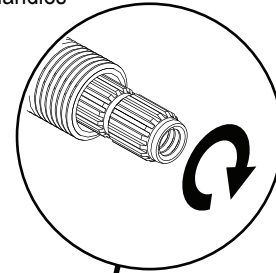
HFM01  
Lever Handle



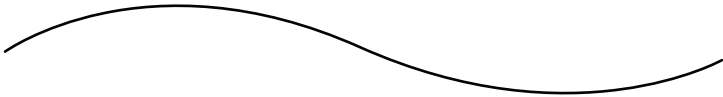
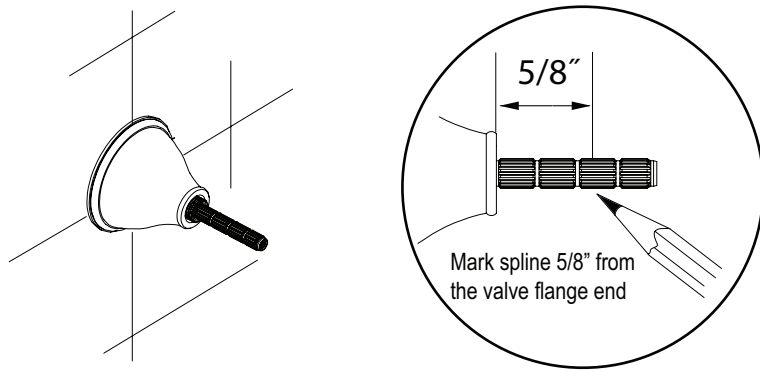
HFM04  
Cross Handle



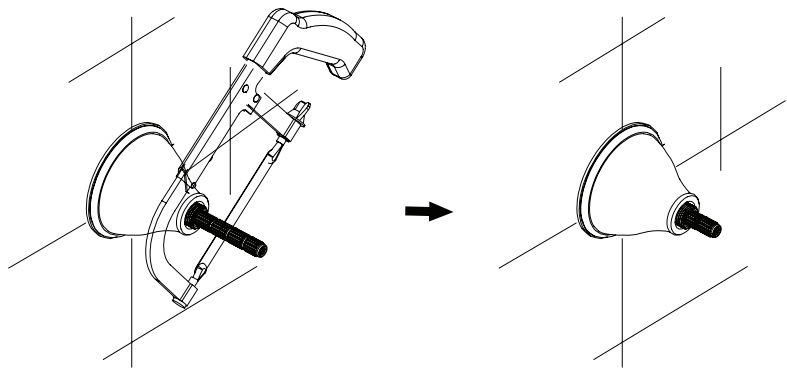
Turn cartridge spline into OFF position  
before installing handles



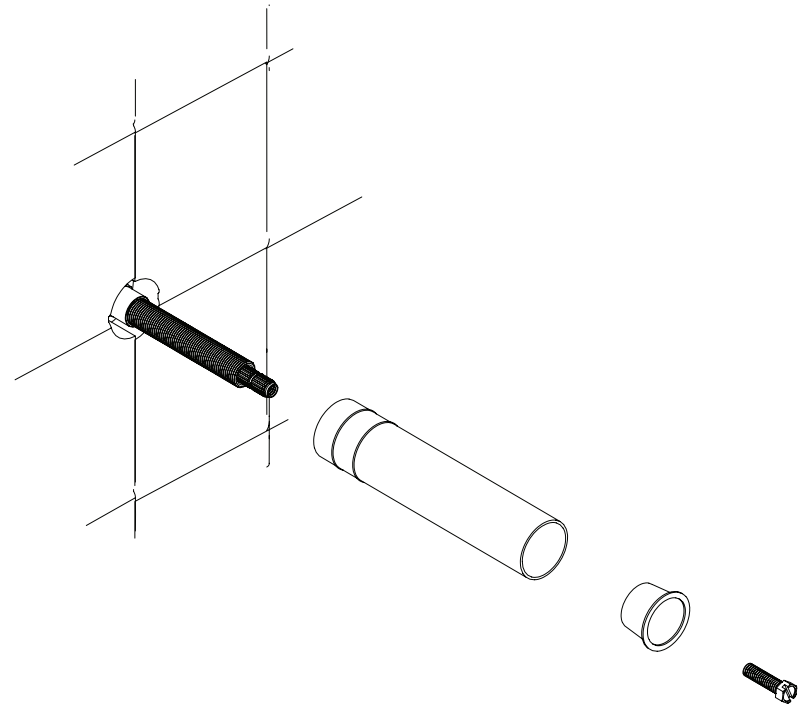
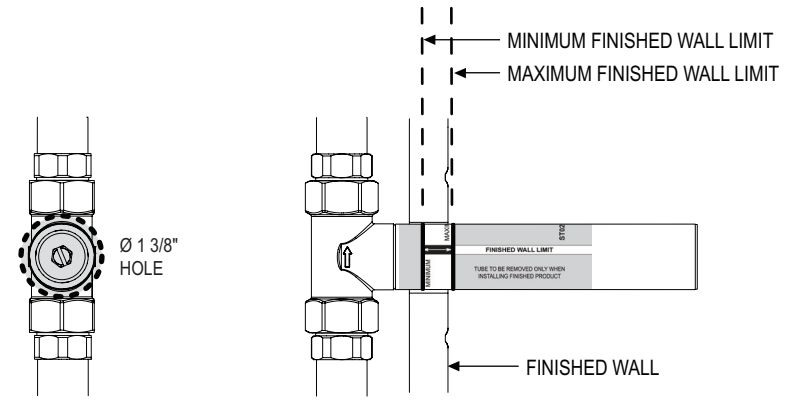
4



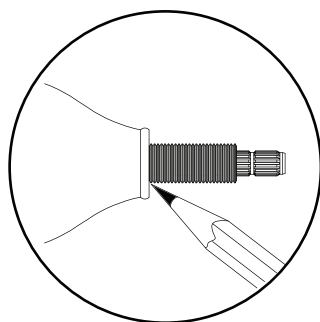
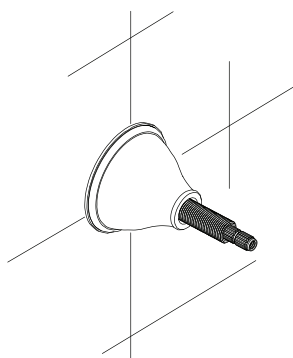
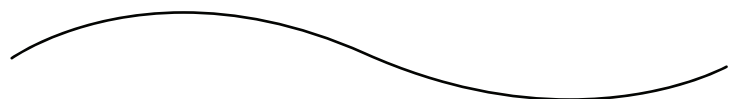
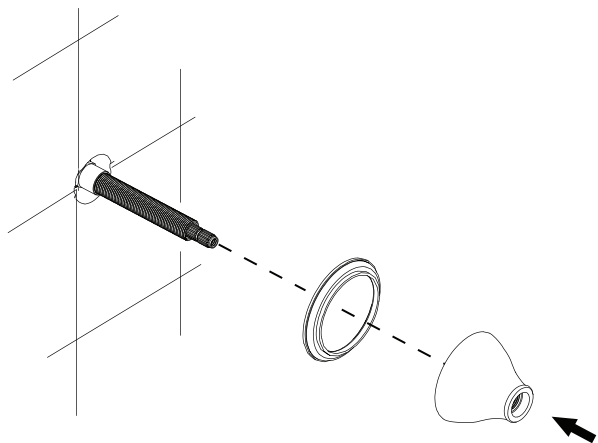
Cut spline where marked



1



2



Mark threaded sleeve

3

