



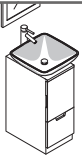
**FVN6117**

# BRILLIANTE

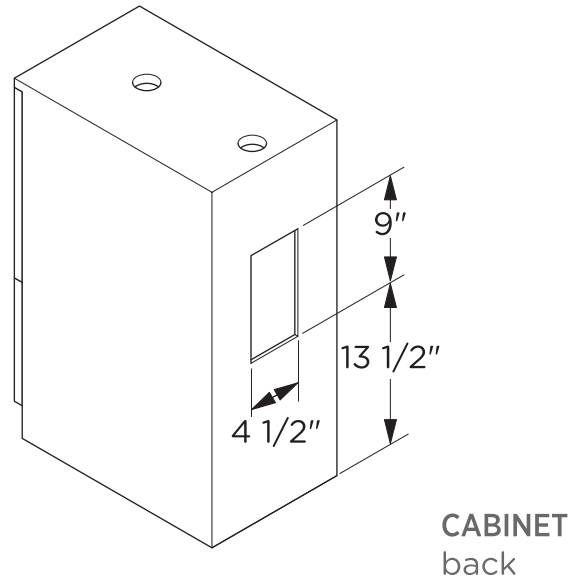
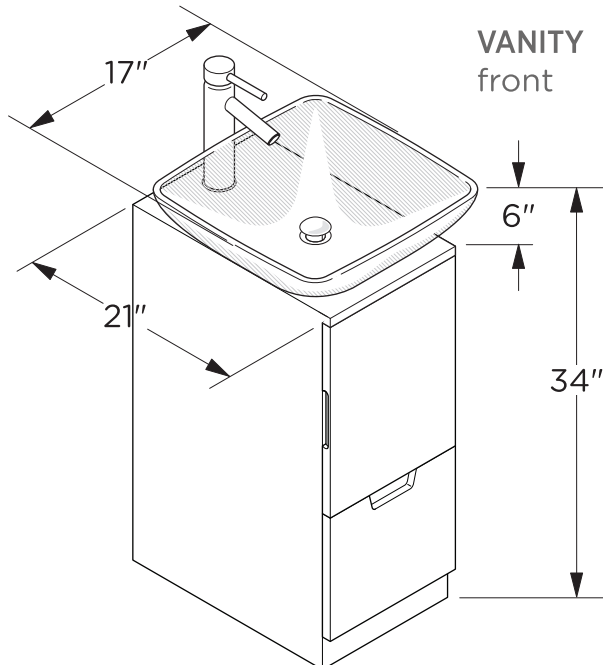
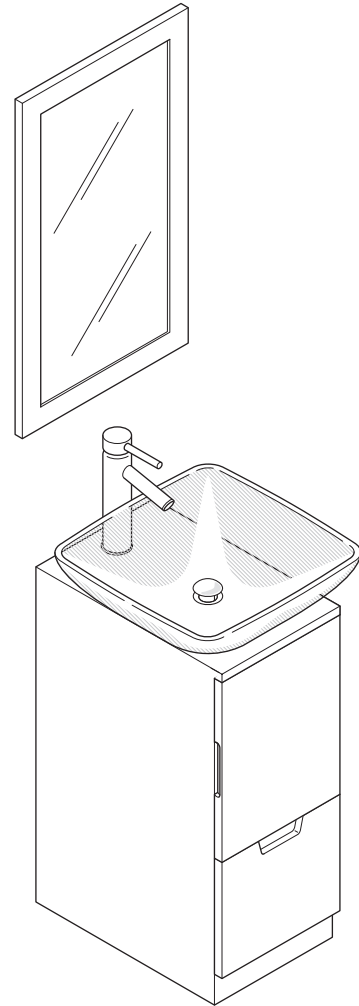
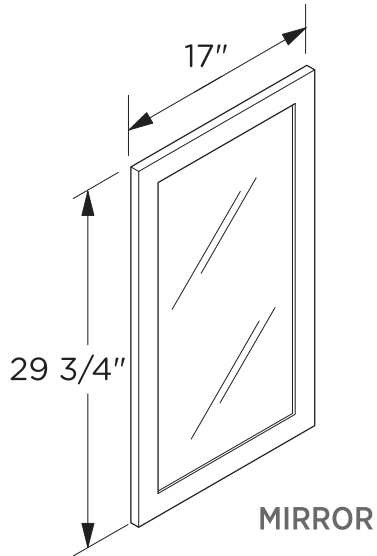
## INSTALLATION GUIDE

### CONTENTS:

Cabinet.....(FCB6117) .....	PAGE <b>2</b>
Sink.....(FVS6117) .....	PAGE <b>2</b>
Mirror.....(FMR6117) .....	PAGE <b>3</b>

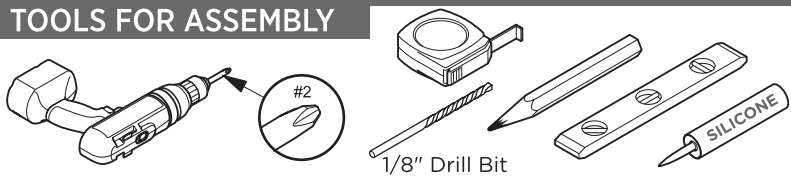


# FVN6117 BRILLIANTE INSTALLATION GUIDE



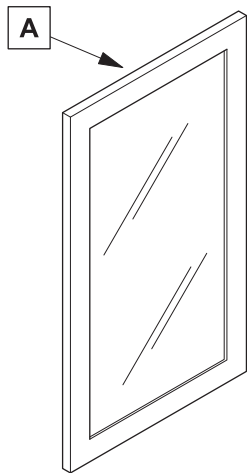
**NOTE:** ALL DIMENSIONS & SPECIFICATIONS ARE APPROXIMATE AND SUBJECT TO CHANGE WITHOUT NOTICE.

## TOOLS FOR ASSEMBLY

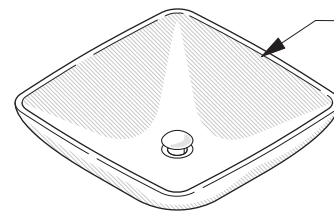


## PARTS

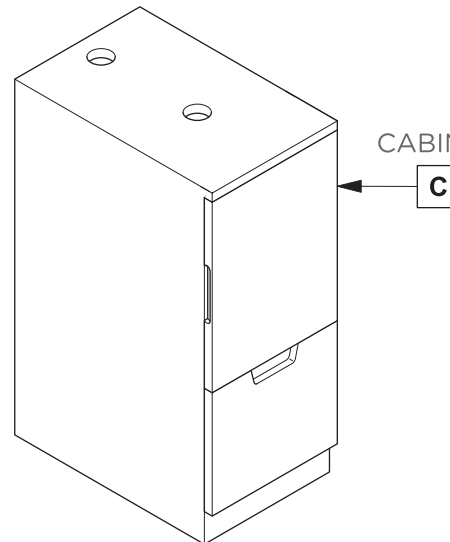
MIRROR



SINK

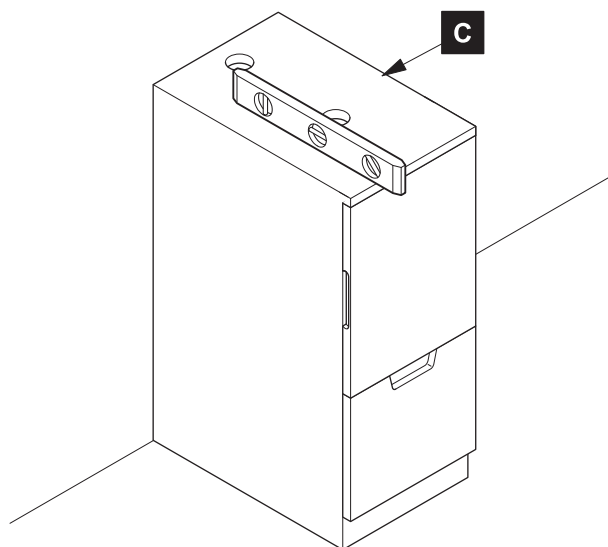


CABINET

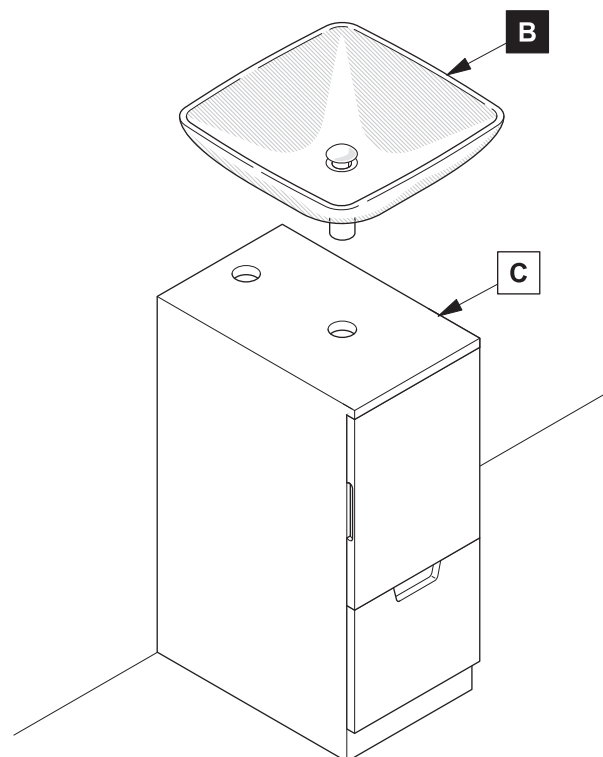


### 1 Place cabinet (C) to desired position

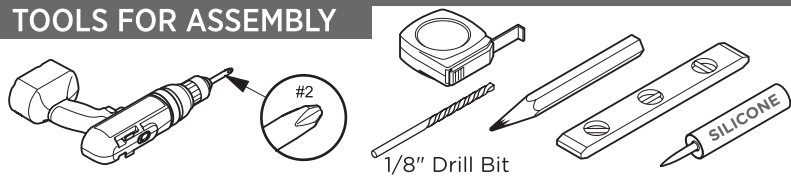
**NOTE** CONSULT AN EXPERT FOR THE PROPER SCREWS/BOLTS TO USE WHEN ATTACHING TO VARIOUS CONSTRUCTIONS. SCREWS PROVIDED DO NOT ATTACH TO ALL WALL CONSTRUCTION TYPES.



### 2 Install sink (B)

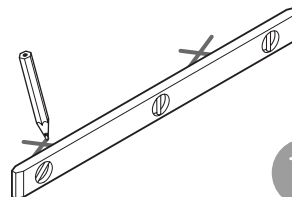
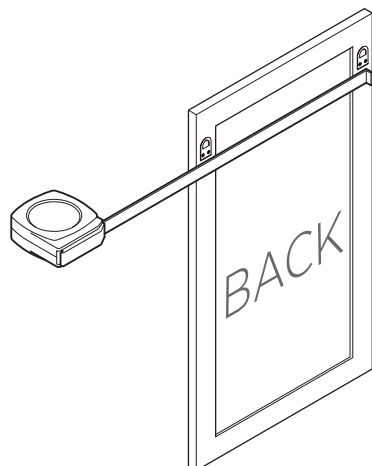


## TOOLS FOR ASSEMBLY

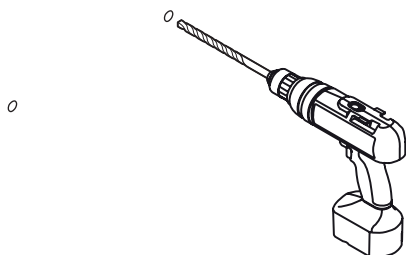


## MIRROR INSTALLATION

- 1** Measure the distance between the mirror brackets, then mark the wall with a pencil using a level for the mounting position.

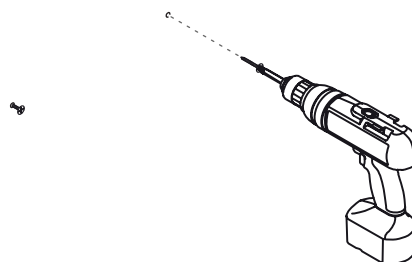


- 2** Drill the holes in the wall using a drill.



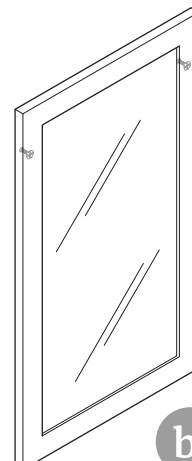
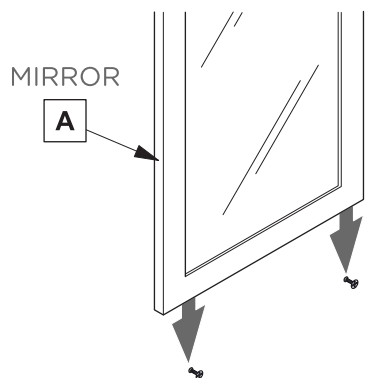
**NOTE** ONLY USE ANCHORS IF STUD (2"X4" FRAME) IS NOT AVAILABLE.

- 3** Insert screws into the wall with a drill leaving just a tip outside the wall.



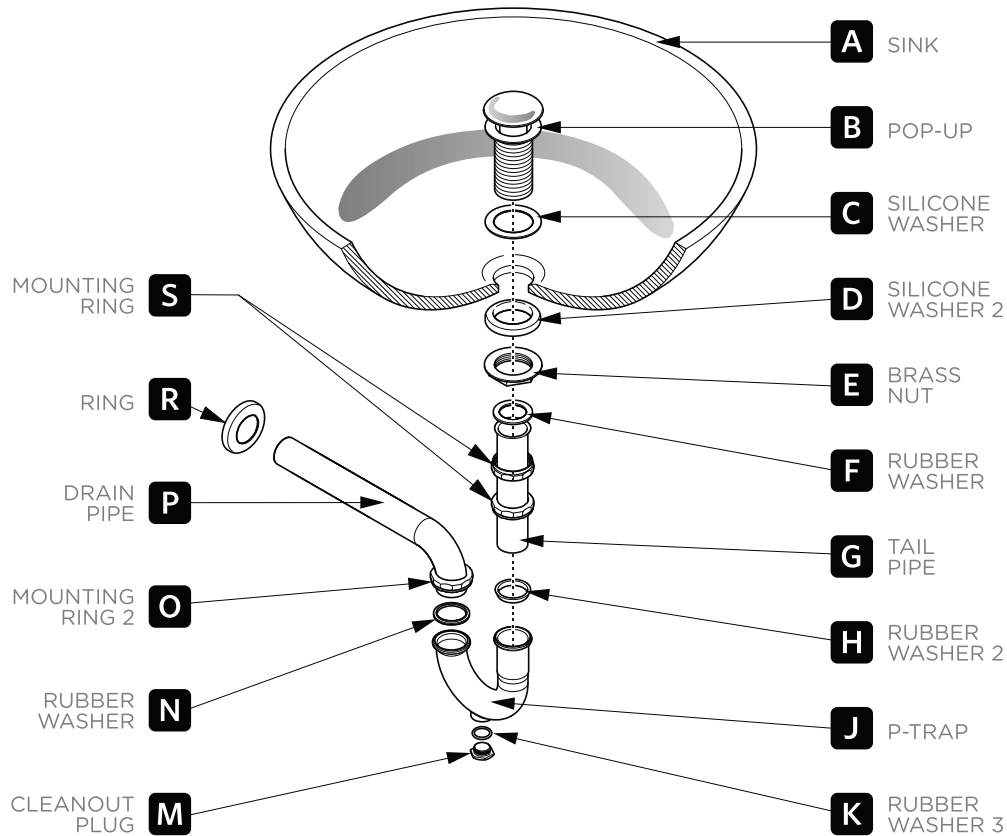
**NOTE** CONSULT AN EXPERT FOR THE PROPER SCREWS/BOLTS TO USE WHEN ATTACHING TO VARIOUS CONSTRUCTIONS. SCREWS PROVIDED DO NOT ATTACH TO ALL WALL CONSTRUCTION TYPES.

- 4** Hang the mirror (A) on the screws.



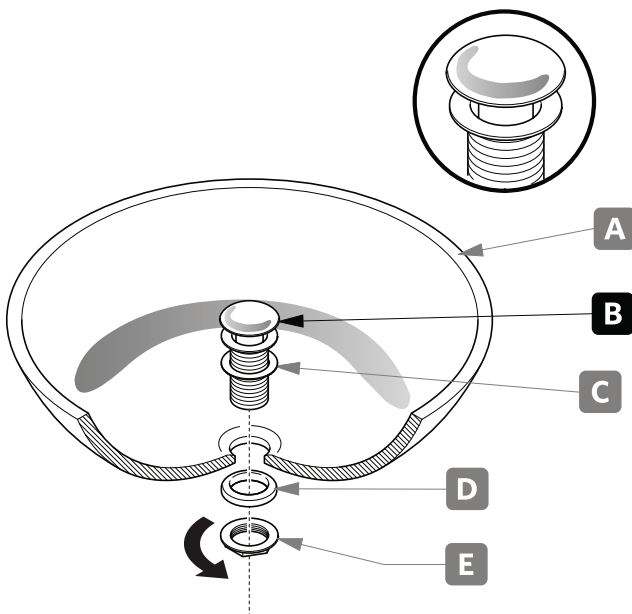
# P-TRAP & POP-UP INSTALLATION INSTRUCTIONS

Your item may appear slightly different from the illustration.



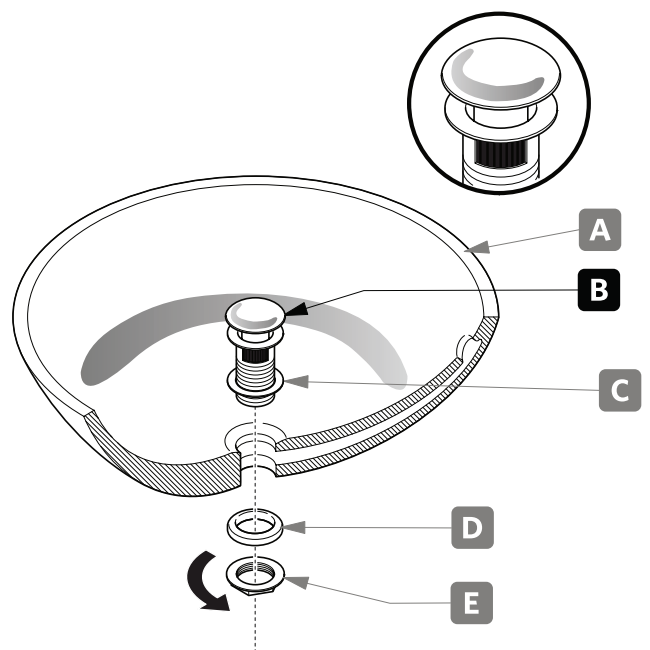
## POP-UP INSTALLATION

**FOR SINKS  
WITHOUT OVERFLOW**



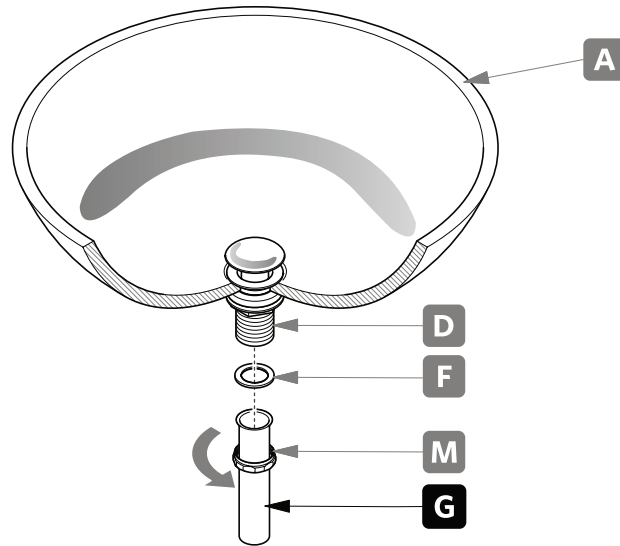
OR

**FOR SINKS  
WITH OVERFLOW**



# P-TRAP INSTALLATION

**1.** Install tail pipe **(G)**.



**2.** Install P-trap **(J)**.

