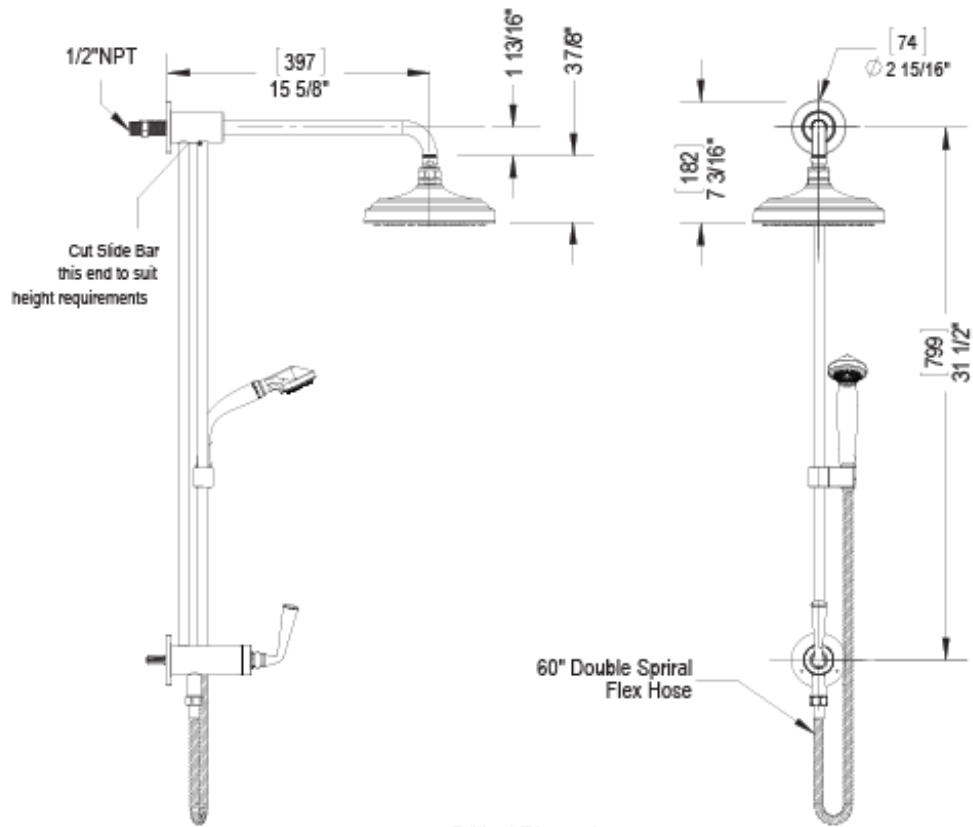




BAR WITH INLET AT SHOWER HEAD. INCLUDES 8" SHOWER HEAD, 12" SHOWER ARM, 30" ADJUSTABLE SLIDE BAR (CAN BE CUT TO SUIT), HAND HELD SHOWER & DIVERTER (requires mixing valve with on/off)



Critical Dimensions