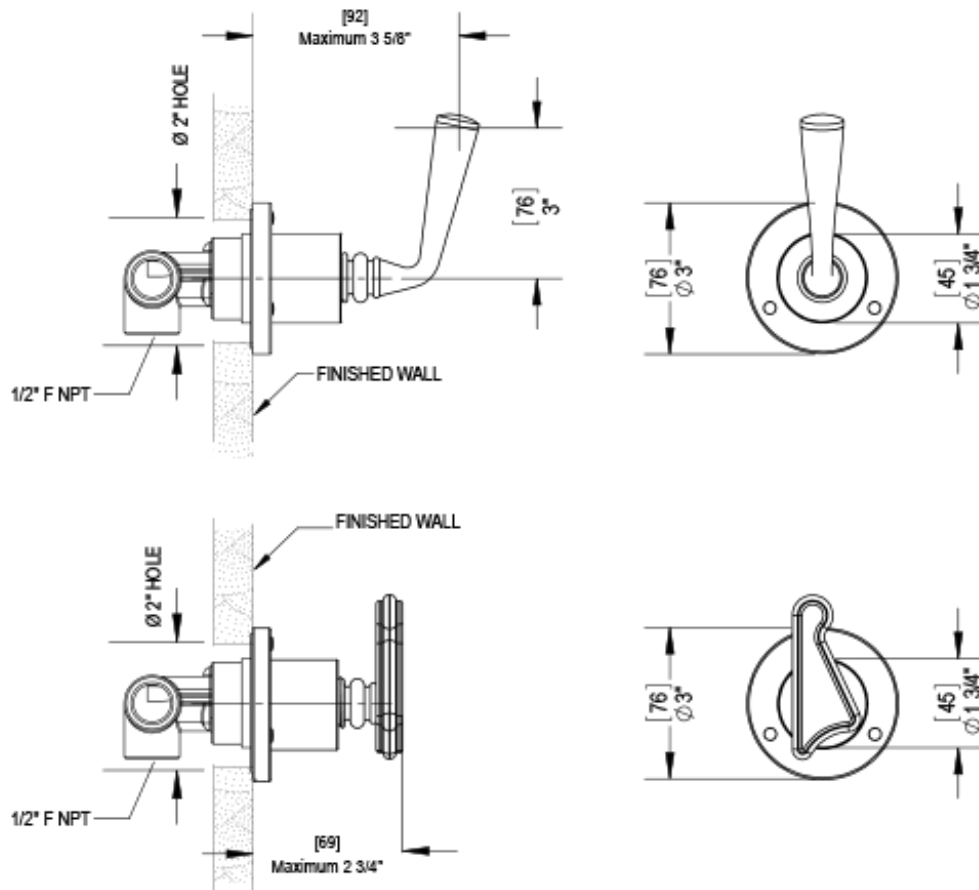




TWO WAY DIVERTER WITH SHUT-OFF



Critical Dimensions