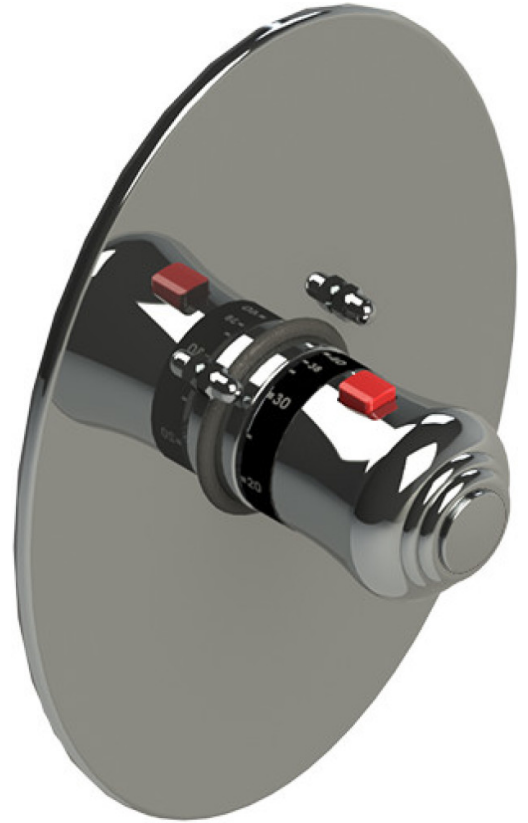


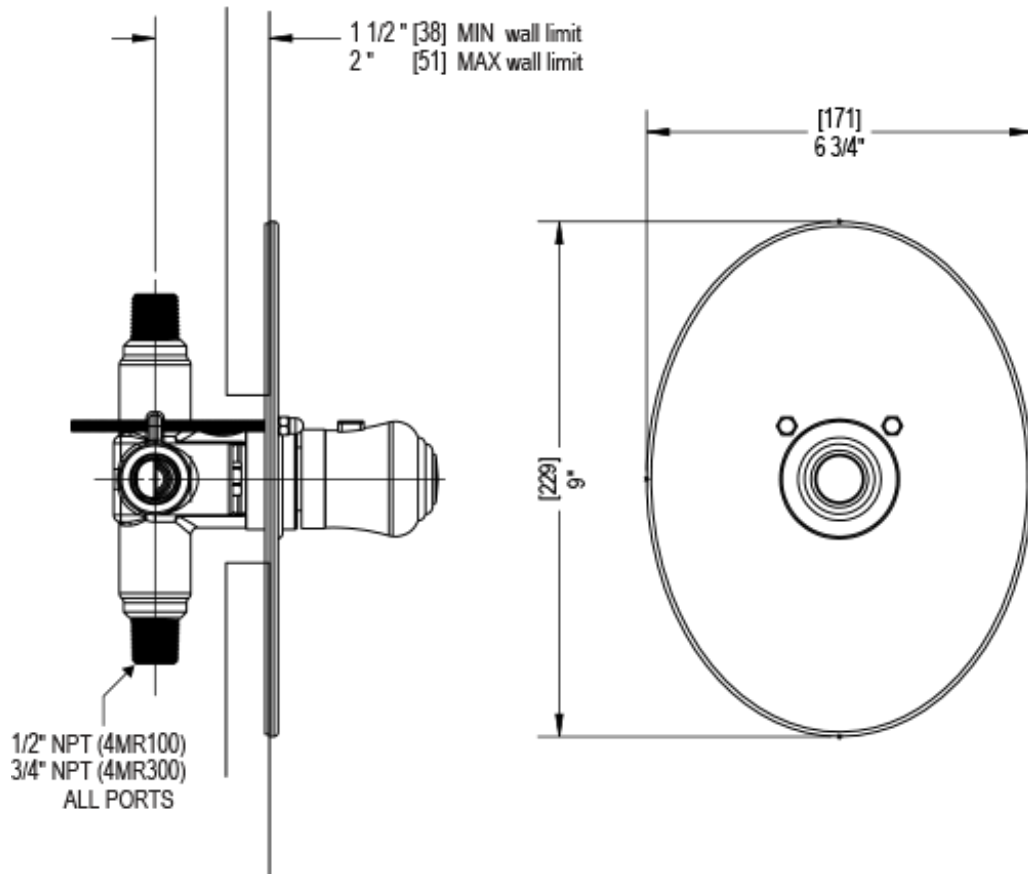
23ETLCHCH

Specifications



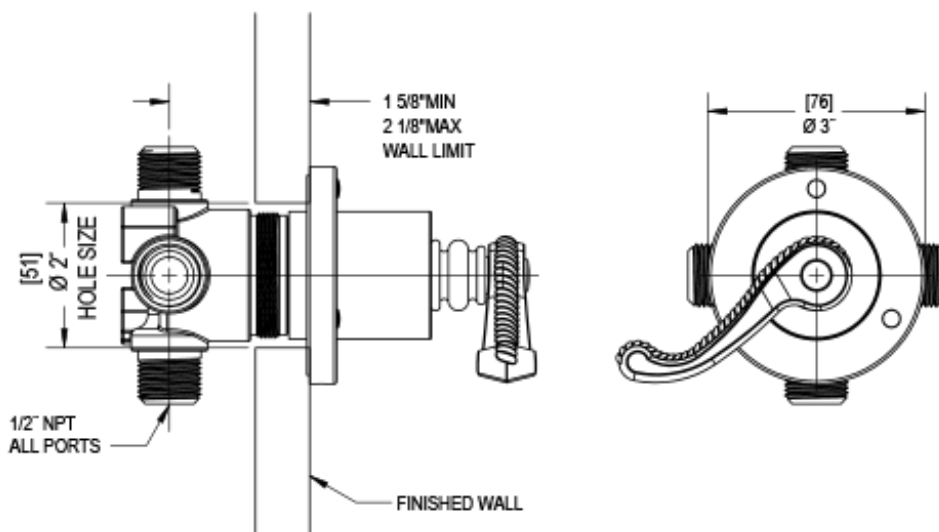


TEMPERATURE CONTROL VALVE WITH STOPS TRIM ONLY



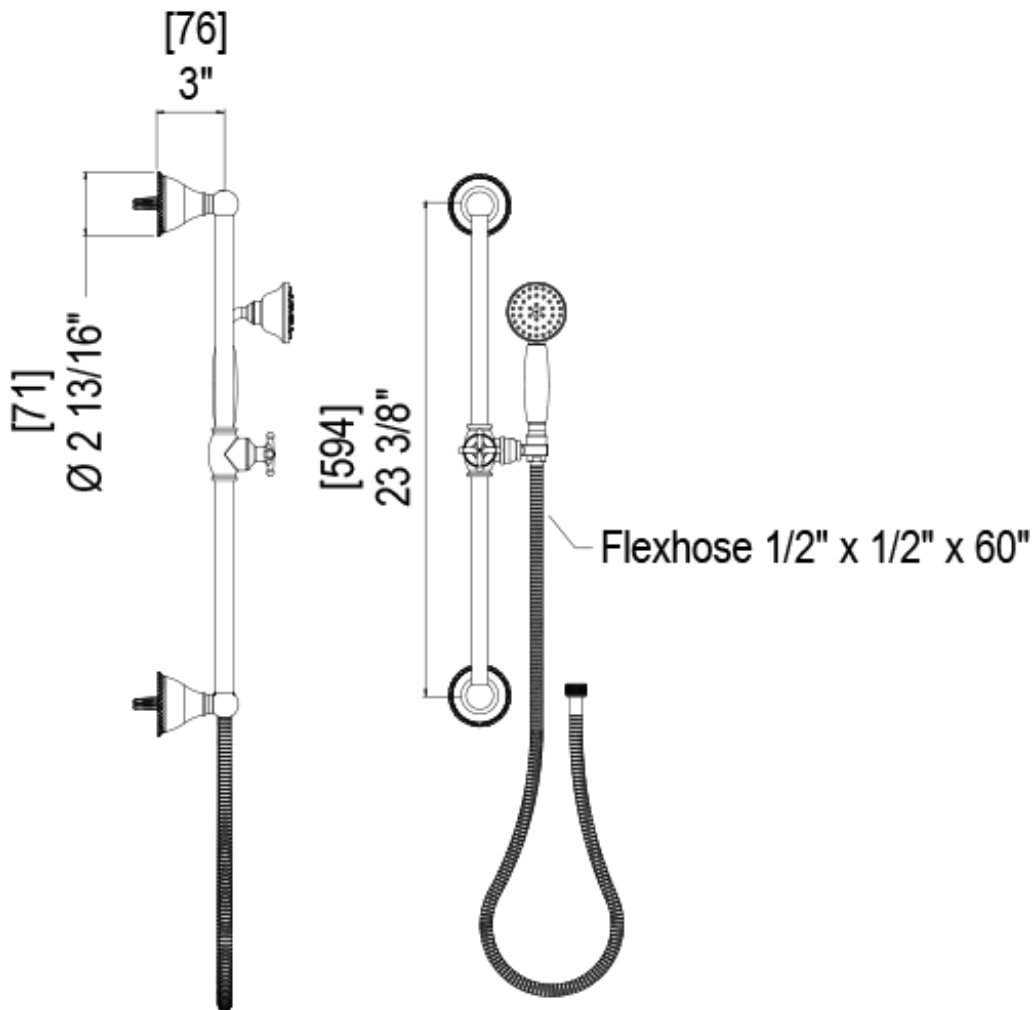


THREE WAY DIVERTER WITH SHUT-OFFS IN BETWEEN FUNCTIONS TRIM ONLY



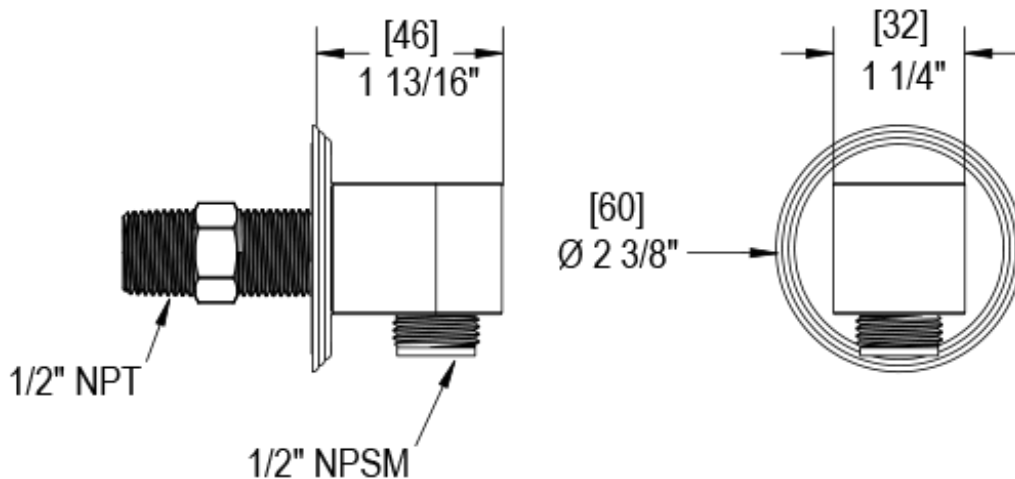


ADJUSTABLE SLIDE BAR WITH HAND HELD SHOWER ASSEMBLY



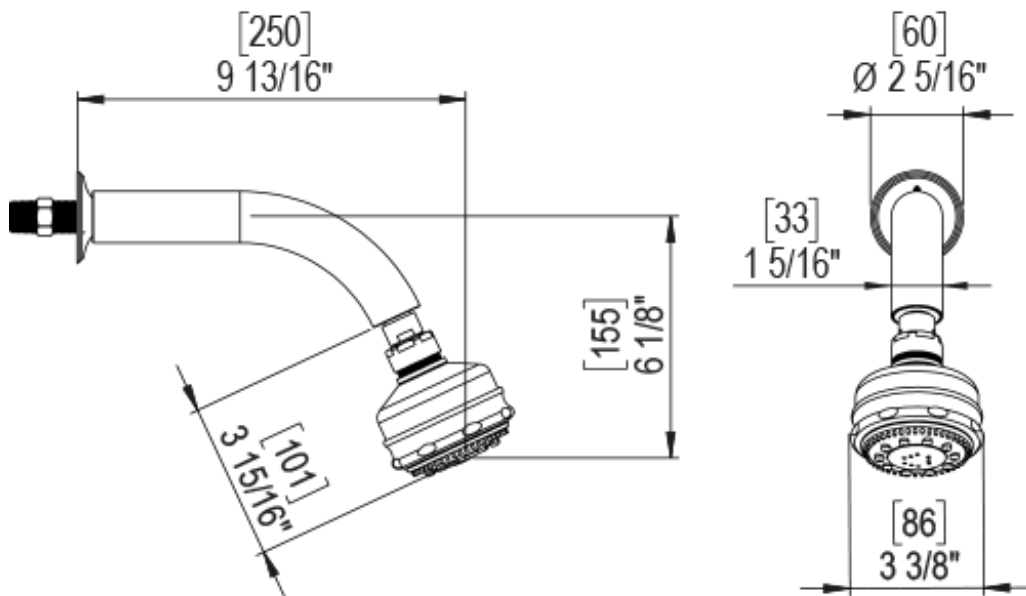


INTEGRAL SUPPLY WITH 1/2" NPT X 1/2" NPSM X 3" NIPPLE





3 FUNCTION SHOWER HEAD WITH 8" SHOWER ARM & FLANGE





WALL MOUNT TUB SPOUT

