



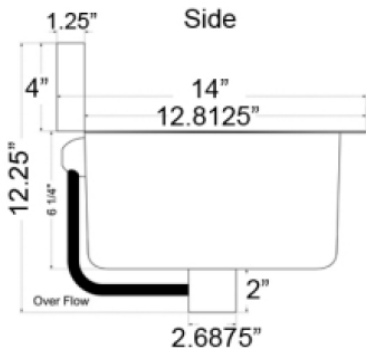
Nantucket

S I N K S

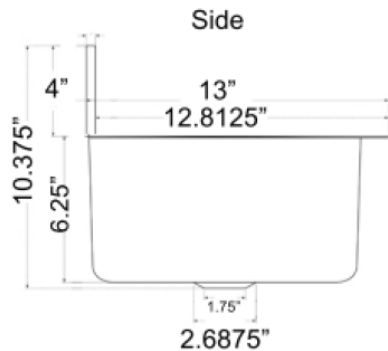
Anchor Collection Installation Instructions



All Work Should Be Performed By A Professional According to Local Code



NS- ACBS20OF-XX
Overflow Model



NS-ACBS20-XX
Non Overflow

Tools Required: Pencil, Drill set, Level, Philips Head Screwdriver, stud finder.

1. Inspect Sink for Any Damages
2. Determine where the sink will be placed on the wall. Normally the bowl height to the front lip is 34.5 Inches from the floor. Your local code will dictate this.
3. The faucets mount above the sink's 4-inch bib.
4. If installing in a sheetrock and studded wall determine if the studs are 16 inches on center.
5. Mark parallel holes and ensure they are level. Using the drill, make pilot holes for the screws.
6. Take the screws from the pouch and insert them through eyelet.
7. Hold the sink in position and put screw the screws into the wall while holding the sink in position. After tightening the screws to the sinks bib, place decorative screw cover on top.
8. Connect the drain fitting according to manufacturer's instructions.
9. The NS-ACBS20OF-XX models require a lavatory drain with an integral overflow.
10. The NS-ACBS20-XX models use a standard lavatory drain without overflow.