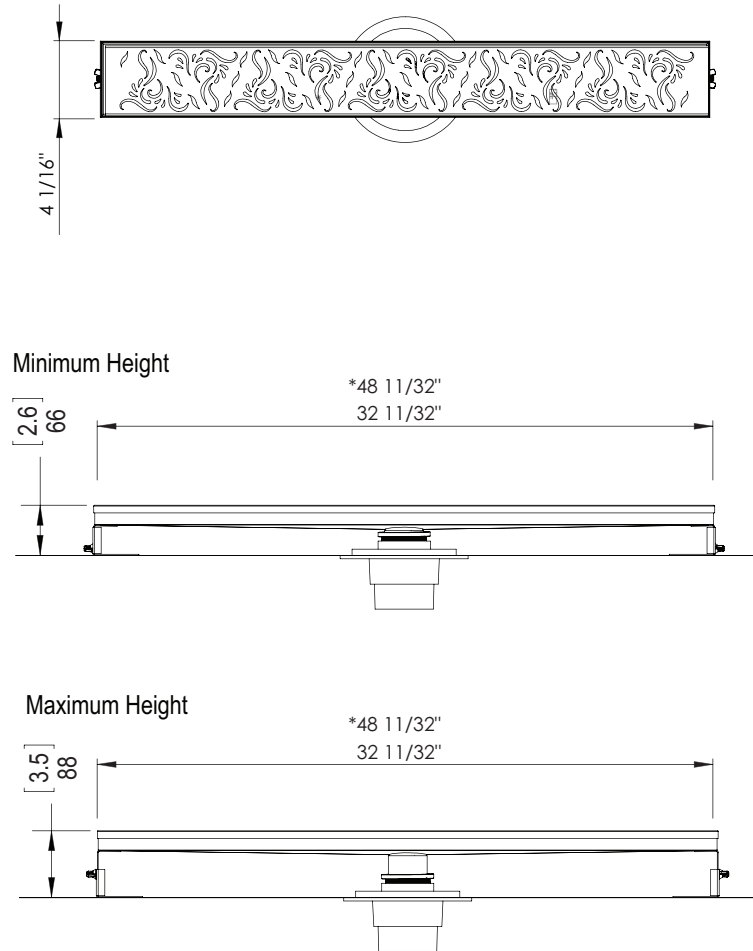


ASSEMBLY INSTRUCTION**9FSD30/9FSD40**

LINEAR SHOWER DRAIN

**9FSD32 (32') / 9FSD42 (48')****9FSD33 (32') / 9FSD44 (48')****CONTACT US:**

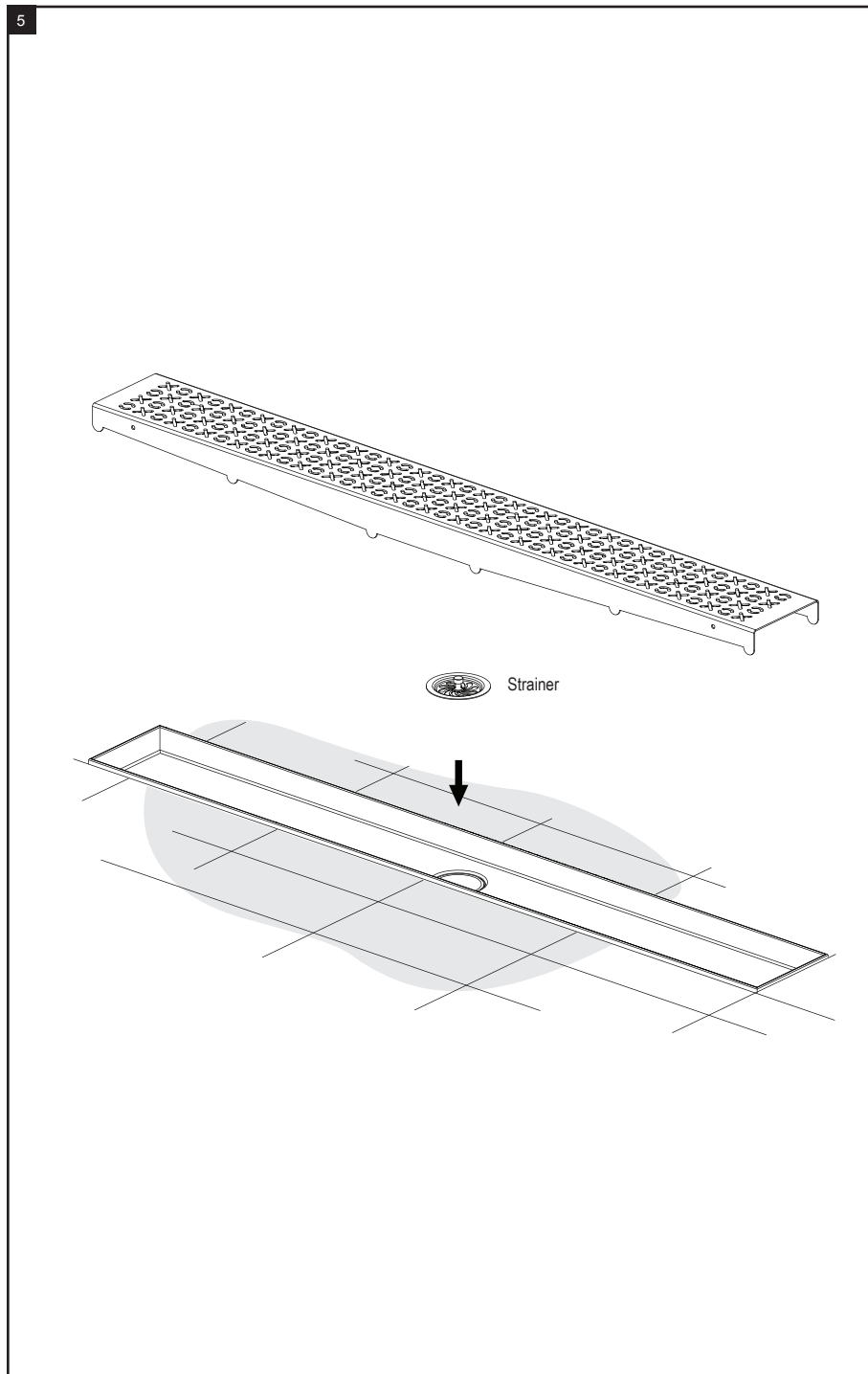
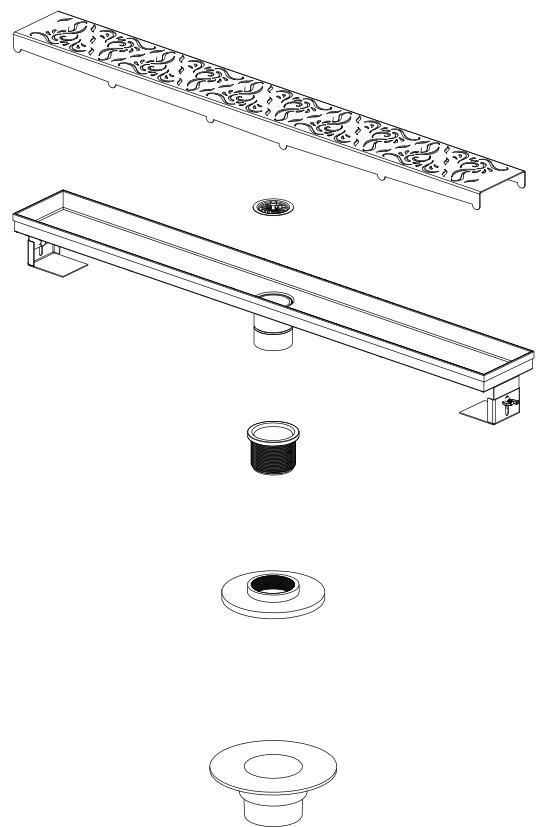
If you need assistance with installation, replacement parts or have any questions regarding your Rubinet product, please call a Customer Service representative at: 905-851-6781 toll free 1-800-461-5901 or visit www.rubinet.com

REMOVAL OF FAUCET:

Always turn the water supply off before removing the existing faucet or disassembling a valve. Open both faucet handles to relieve water pressure and to ensure that the water has been successfully turned off.

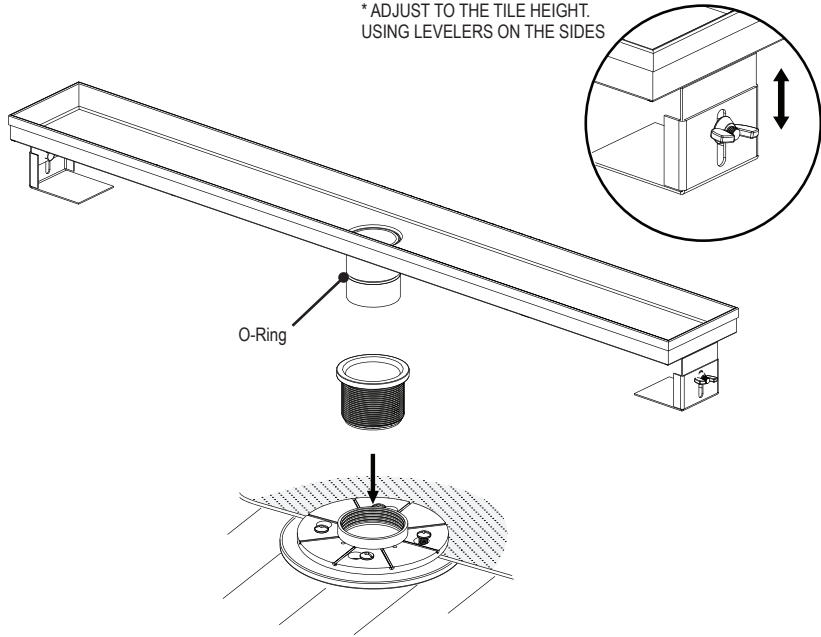
CARE OF FAUCET:

The use of warm water and a soft cloth is all that is required to clean Rubinet products. The patina of our living finishes (Oil Rubbed Bronze & Tuscan Brass) will change as a result of normal use. Applying Mineral Oil on occasion will create a softer look, subtle color changes and character.



4

* ADJUST TO THE TILE HEIGHT.
USING LEVELERS ON THE SIDES



Tiles

Mortar Base

Pan Liner

Sub Floor

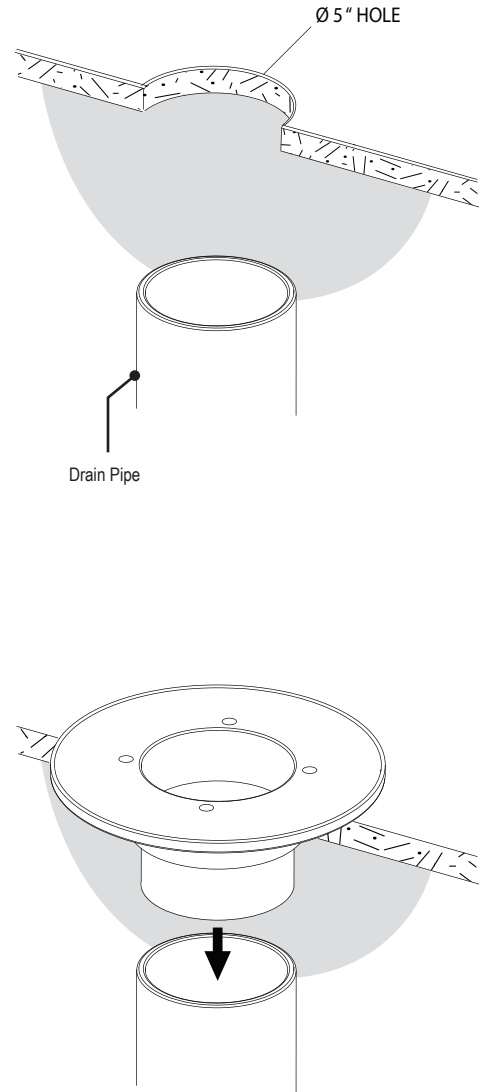
Clamp Ring

Sleeve

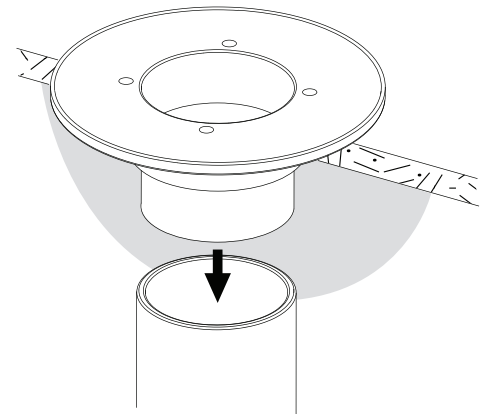
Body

Drain Pipe

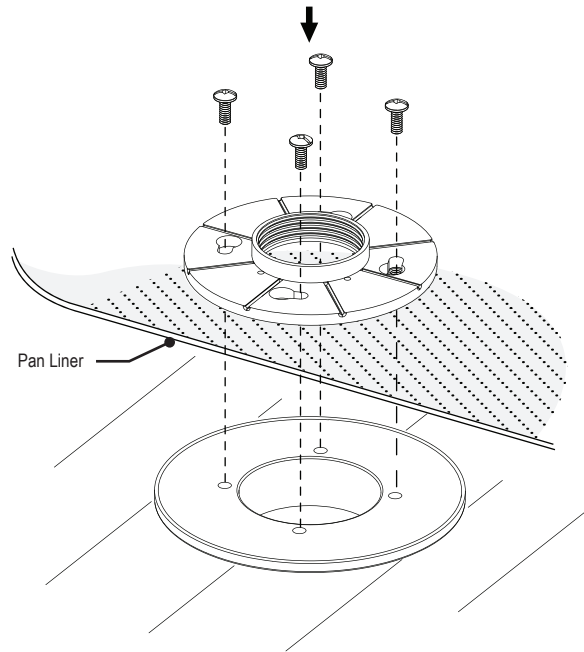
1



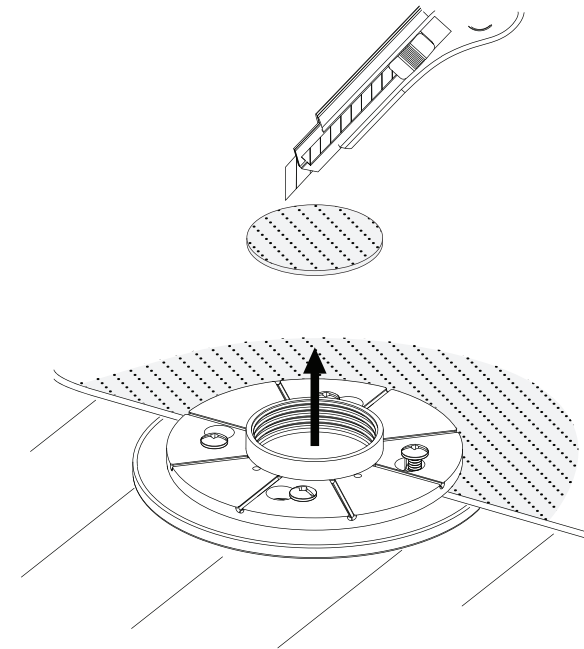
Drain Pipe



2



3



* CUT OUT REMAINING LINER MATERIAL
INSIDE THE HOLE.