

INSTALLATION INSTRUCTIONS

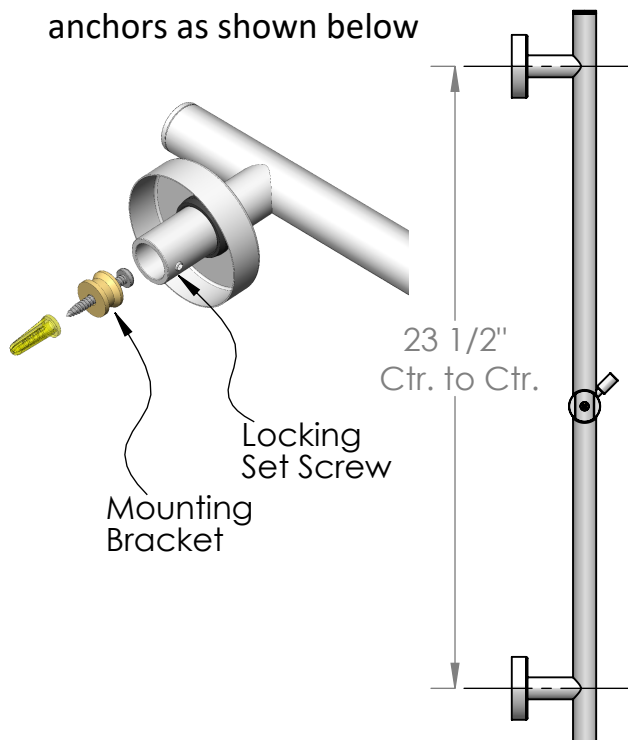
Wall Bar (with slider)

Part #9224

JACLO[®]
Confidence from start to finish.™

Materials provided:

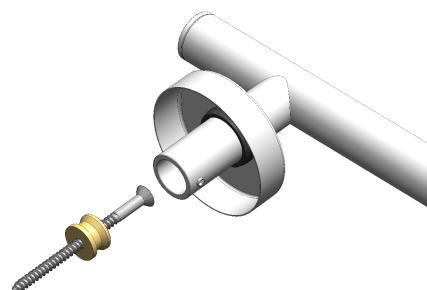
- 1ea. Wall Bar assembly
- 1 pkg. Installation screws & anchors as shown below



Recommended tools:

- Drill & bits
- Phillips screwdriver
- 3/32" Hex L-Key (Allen Wrench)
- Level

Alternate installation method (3" wood screws not provided)



Step 1:

Determine appropriate mounting location, and mark the mounting centers. For the alternate installation method, locate suitable in-wall structural framing (2X4 studs or cross-members).

Step 2:

Depending on the type of installation, drill a pilot hole through finished surface for the wall anchors, for the alternate method, drill a 3/16" starter hole into the studs or cross pieces.

Step 3:

Loosen set screws and remove the mounting brackets, tap anchors into the wall, then drive the mounting screws through the brass mounting pieces until secure. For the alternate method of attachment, drive 3" wood screws through the brass mounting pieces until secure.

Step 4:

Slide bracket covers onto the bar stems, then slide the bar onto the mounting bracket studs.

Step 5:

Tighten the locking set screws to mounting brackets, and slide the bracket covers flush to wall.

To learn more about JACLO's warranty, please visit [**jaclo.com**](http://jaclo.com)