

artos[®]

FS520TK

INSTALLATION GUIDE

floor mounted tub filler trim
kit square

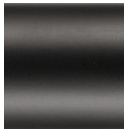
BRUSHED NICKEL(BN)



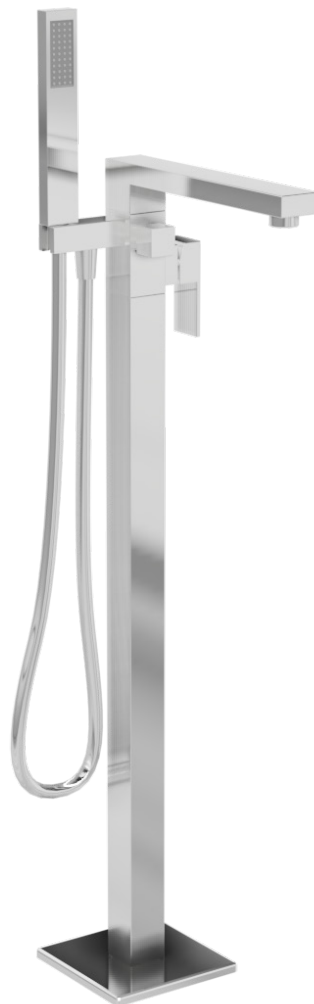
CHROME(CH)



BLACK(BK)



SATIN BRASS (SB)

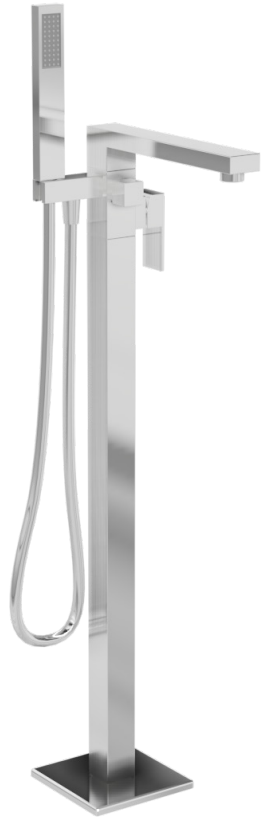


artos[®]

FS520TK

OPERATING SPECIFICATIONS

floor mounted tub filler trim
kit square



FEATURES

Integrated Hand Shower
Integrated Controls

OPERATING PRESSURE

Minimum: 15 psi
Maximum: 75 psi
Above 90psi it may be necessary to install a pressure reducer

OPERATING TEMPERATURE

Maximum: 176°

FLOW CAPACITY

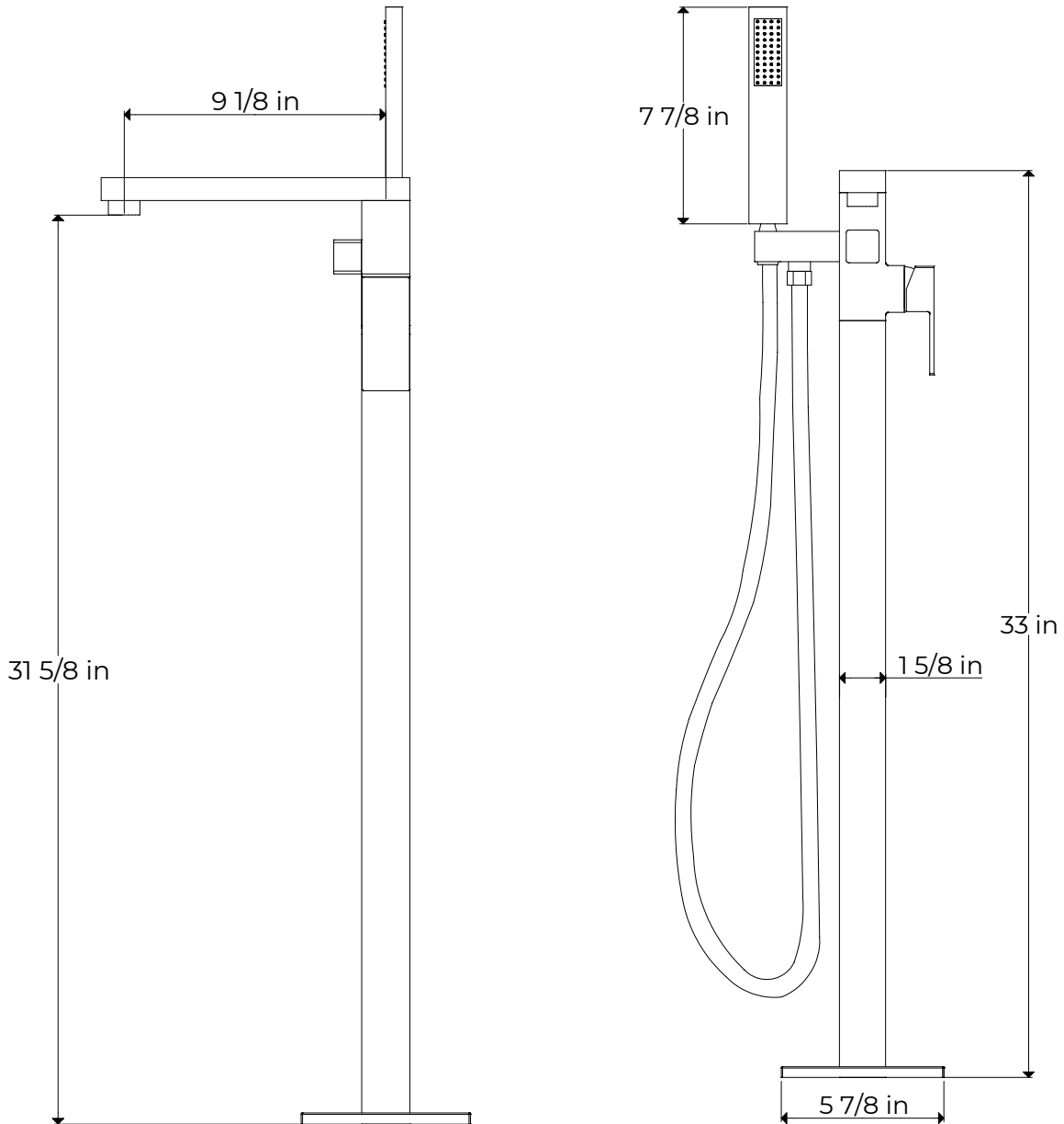
Tub Filler: 6.0 USGPM
Hand Shower: 2.0 USGPM

artos[®]

FS520TK

PRODUCT DIMENSIONS

floor mounted tub filler trim
kit square

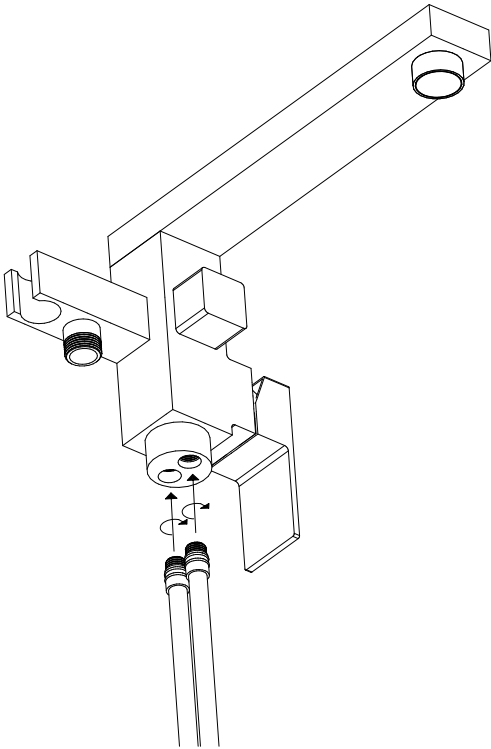


artos[®]

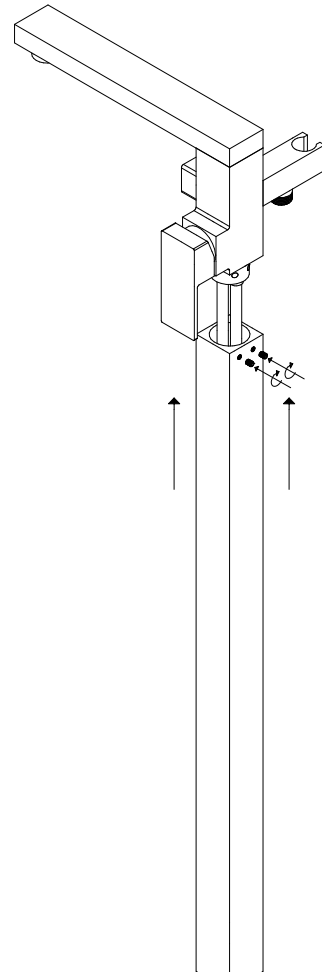
FS520TK

floor mounted tub filler trim
kit square

STEP 1

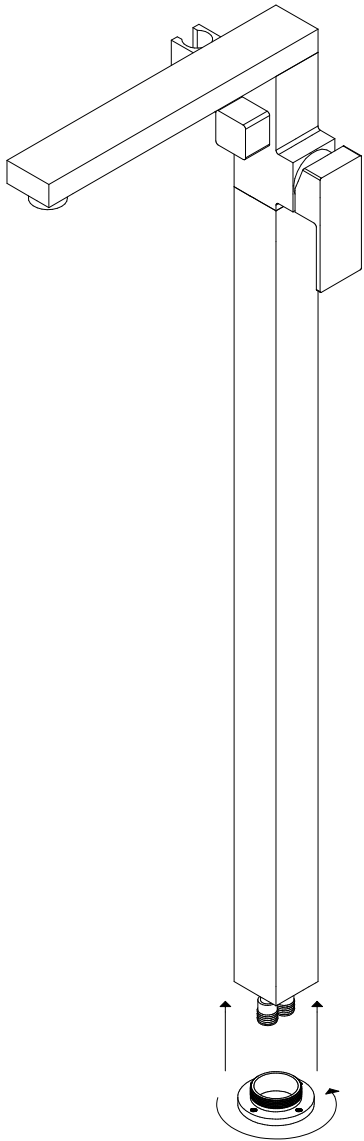


STEP 2

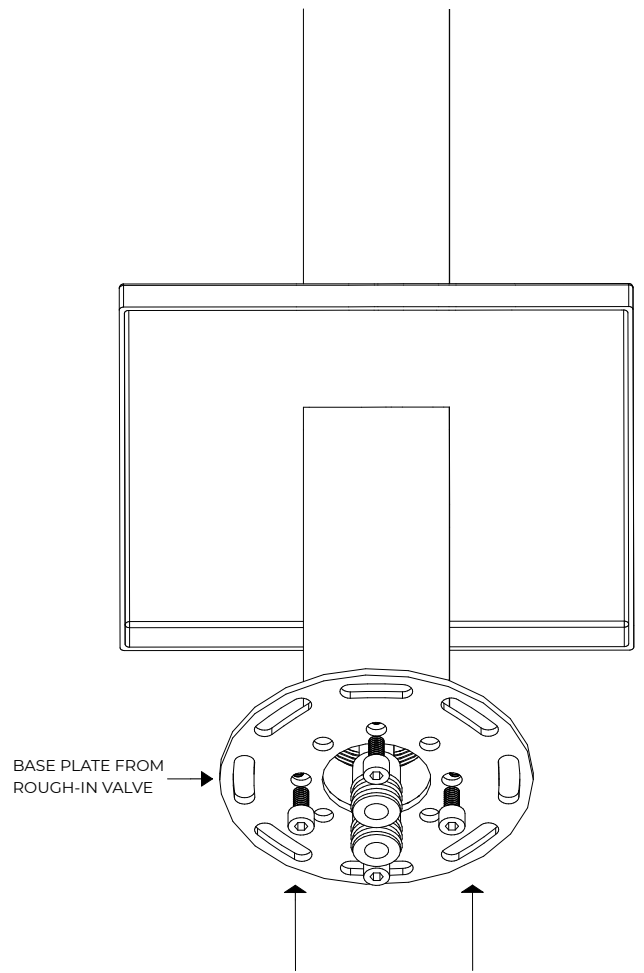


INSTALLATION STEPS

STEP 3



STEP 4



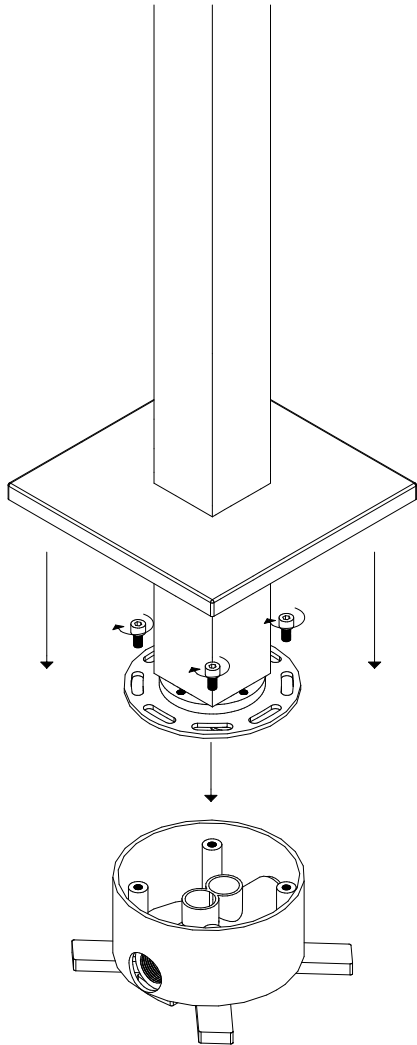
artos[®]

FS520TK

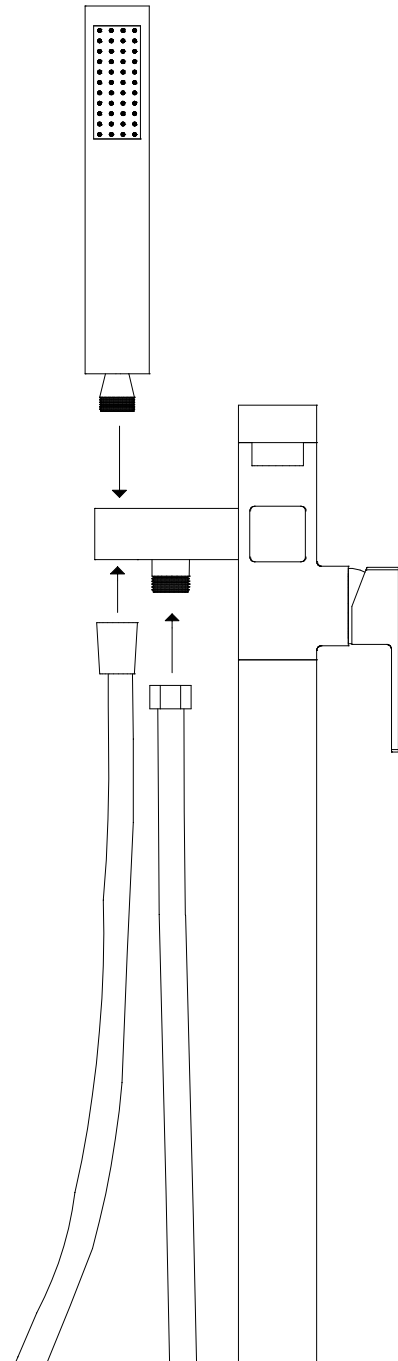
INSTALLATION STEPS

floor mounted tub filler trim
kit square

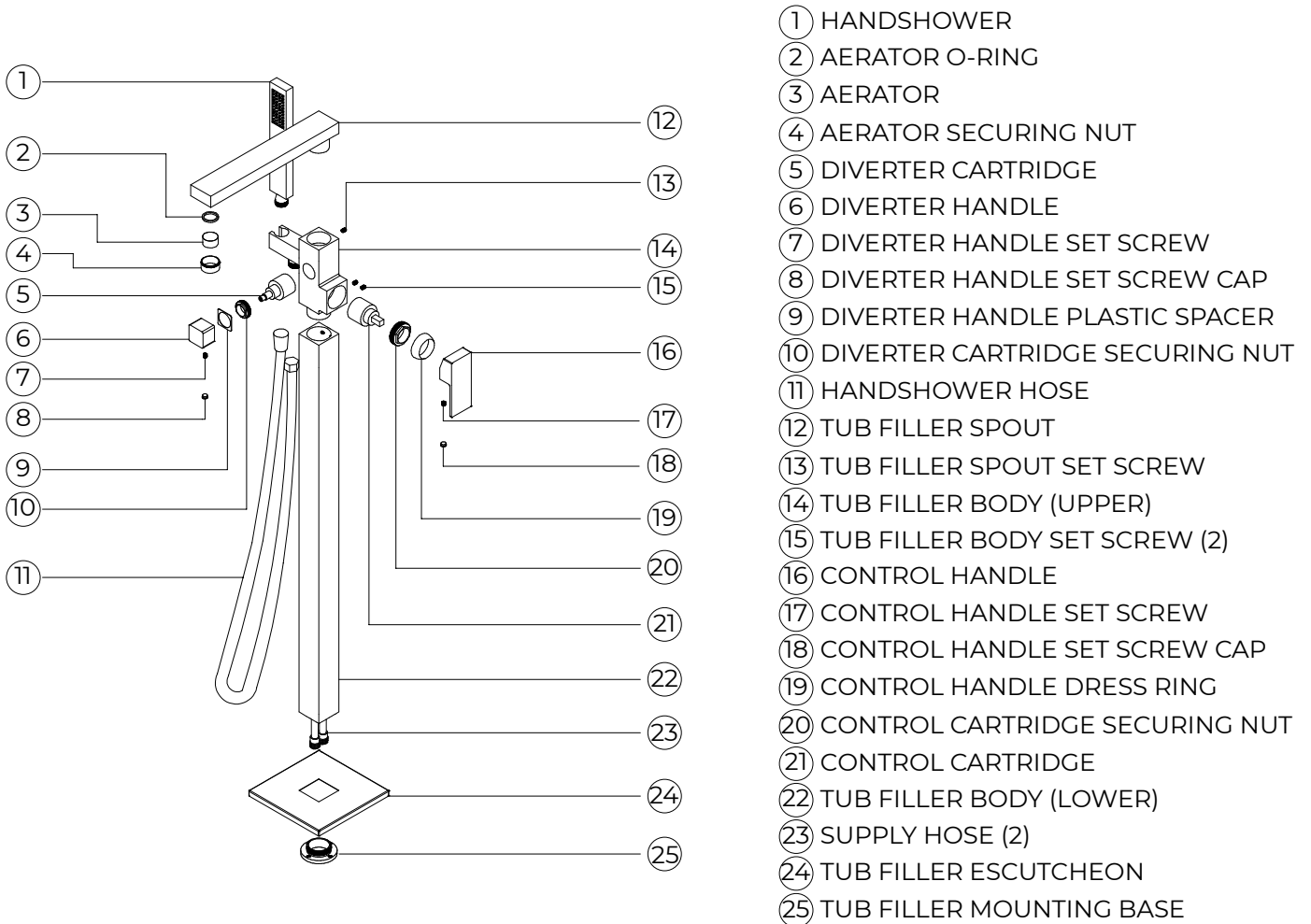
STEP 5



STEP 6



floor mounted tub filler trim
kit square



- ① HANDSHOWER
- ② AERATOR O-RING
- ③ AERATOR
- ④ AERATOR SECURING NUT
- ⑤ DIVERTER CARTRIDGE
- ⑥ DIVERTER HANDLE
- ⑦ DIVERTER HANDLE SET SCREW
- ⑧ DIVERTER HANDLE SET SCREW CAP
- ⑨ DIVERTER HANDLE PLASTIC SPACER
- ⑩ DIVERTER CARTRIDGE SECURING NUT
- ⑪ HANDSHOWER HOSE
- ⑫ TUB FILLER SPOUT
- ⑬ TUB FILLER SPOUT SET SCREW
- ⑭ TUB FILLER BODY (UPPER)
- ⑮ TUB FILLER BODY SET SCREW (2)
- ⑯ CONTROL HANDLE
- ⑰ CONTROL HANDLE SET SCREW
- ⑱ CONTROL HANDLE SET SCREW CAP
- ⑲ CONTROL HANDLE DRESS RING
- ⑳ CONTROL CARTRIDGE SECURING NUT
- ㉑ CONTROL CARTRIDGE
- ㉒ TUB FILLER BODY (LOWER)
- ㉓ SUPPLY HOSE (2)
- ㉔ TUB FILLER ESCUTCHEON
- ㉕ TUB FILLER MOUNTING BASE