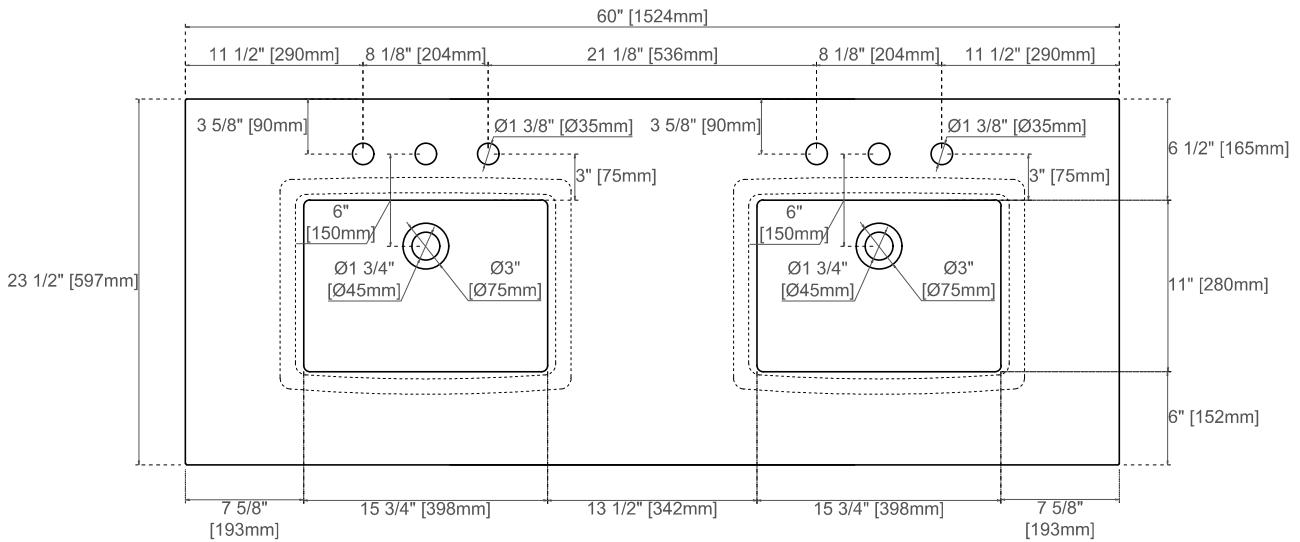


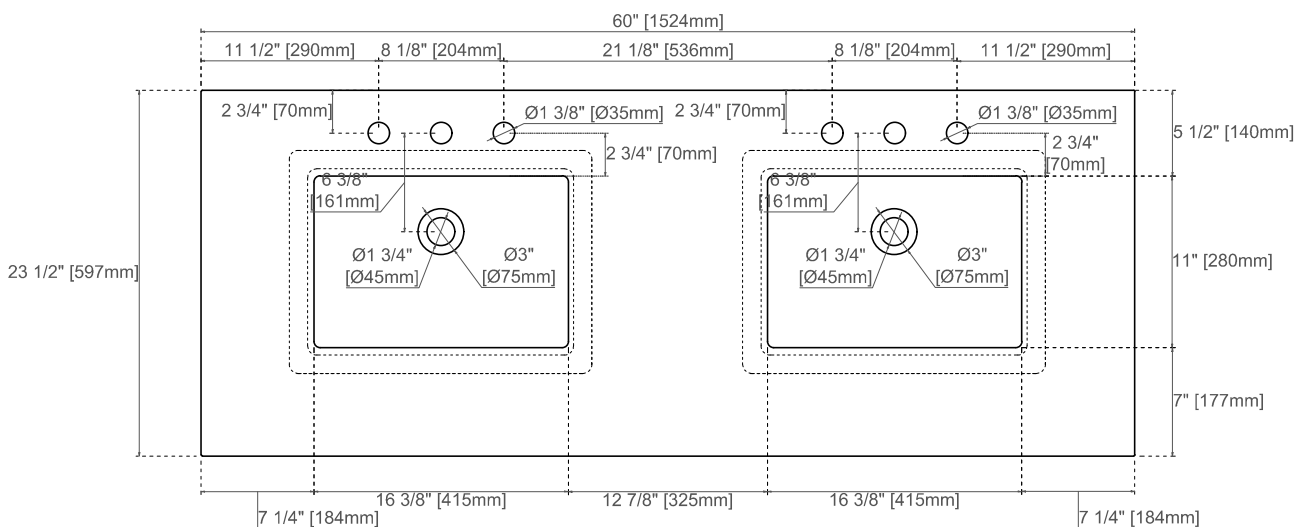
60"D 3cm COUNTERTOPS
 050-S60D
 080-S60D
 090-S60D

JAMES MARTIN
 VANITIES™

080,090 Sereis Tops



050 Quartz Sereis Tops



Visit website for warranty and installation information
www.jamesmartinvanities.com

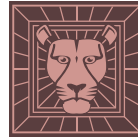
Version:202301

60" D

Item Number:

- 650-V60D-BKO
- 650-V60D-BNM
- 650-V60D-CWH
- 650-V60D-UGR
- 650-V60D-VBL

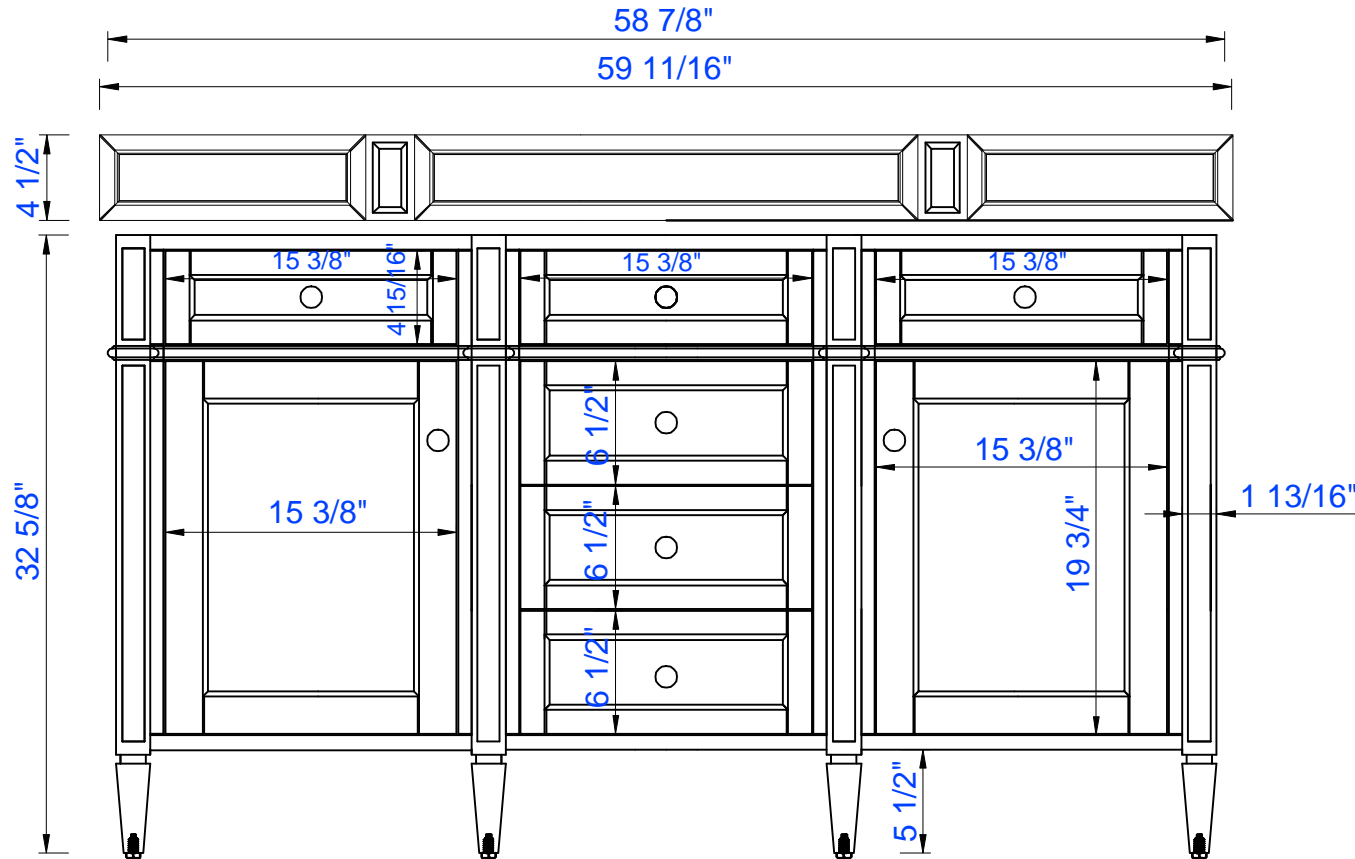
JAMES MARTIN



VANITIES™

Brittany 60" Cabinet

Diagrams with Dimensions
page 01 of 03



NOTE ONE: Countertops are not shown in these diagrams. (Cabinet Only)

NOTE TWO: Wood Backsplash (Shown) is designed for the molding detail to align with sinks in James Martin's Optional Countertops. Customers' own countertops and sinks may align differently.

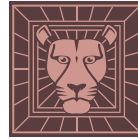
Please consult our website for Countertop Diagrams: www.jamesmartinvanities.com

60" D

Item Number:

- 650-V60D-BKO
- 650-V60D-BNM
- 650-V60D-CWH
- 650-V60D-UGR
- 650-V60D-VBL

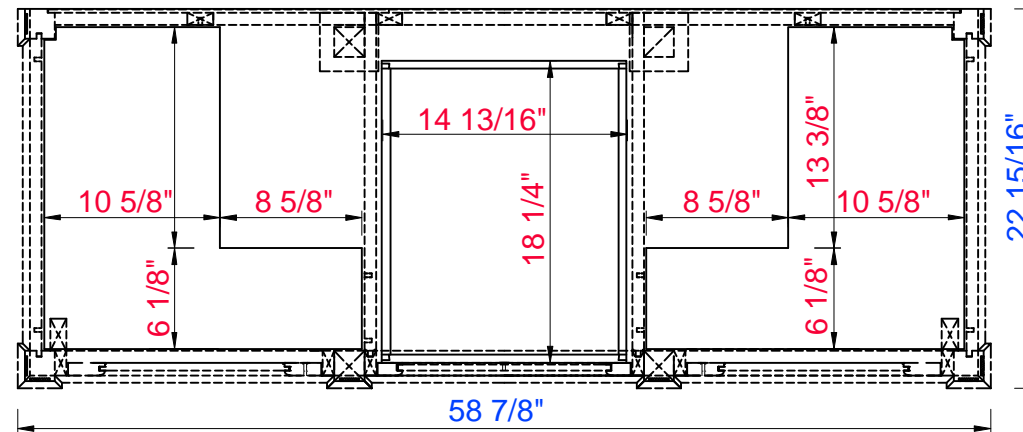
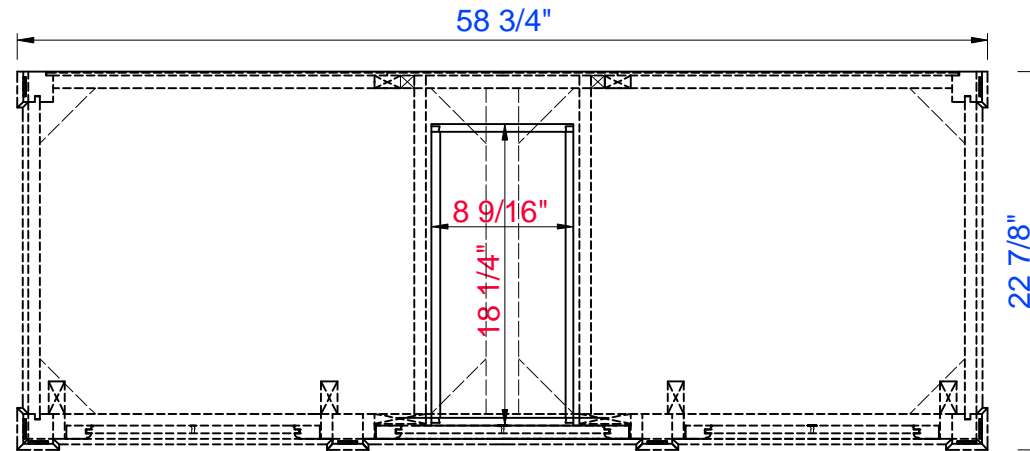
JAMES MARTIN



VANITIES™

Brittany 60" Cabinet

Diagrams with Dimensions
page 02 of 03



NOTE ONE: Countertops are not shown in these diagrams. (Cabinet Only)

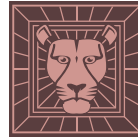
NOTE TWO: Internal Shelves (Shown) are designed to align with sinks in James Martin's Optional Countertops. Customers' own countertops and sinks may align differently, and modification may be required. Please consult our website for Countertop Diagrams: www.jamesmartinvanities.com

60" D

Item Number:

- 650-V60D-BKO
- 650-V60D-BNM
- 650-V60D-CWH
- 650-V60D-UGR
- 650-V60D-VBL

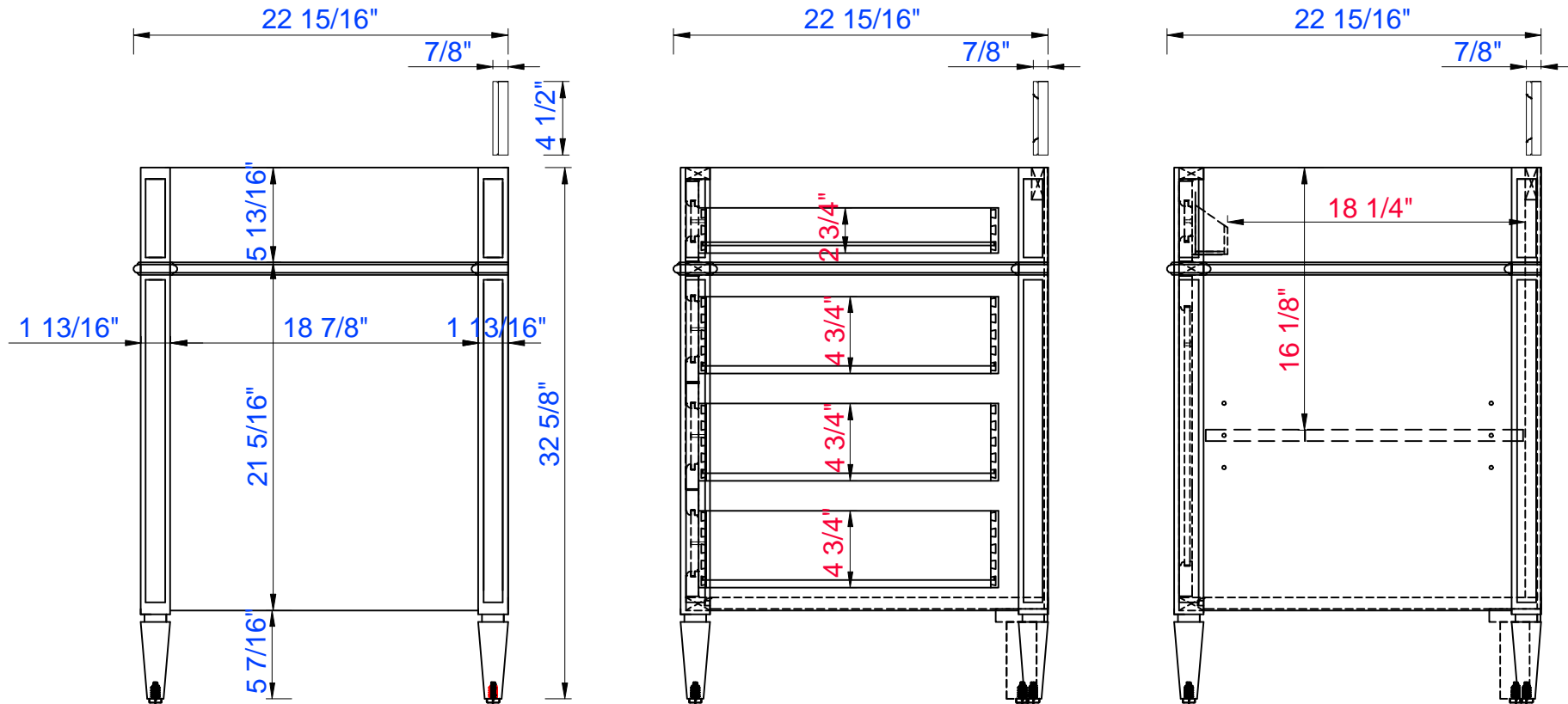
JAMES MARTIN



VANITIES™

Brittany 60" Cabinet

Diagrams with Dimensions
page 03 of 03



NOTE ONE: Countertops are not shown in these diagrams. (Cabinet Only)

NOTE TWO: Wood Backsplash (Shown) is designed for the molding detail to align with sinks in James Martin's Optional Countertops.

Customers' own countertops and sinks may align differently.

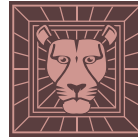
Please consult our website for Countertop Diagrams: www.jamesmartinvanities.com

1524mm

Item Number:

- 650-V60D-BKO
- 650-V60D-BNM
- 650-V60D-CWH
- 650-V60D-UGR
- 650-V60D-VBL

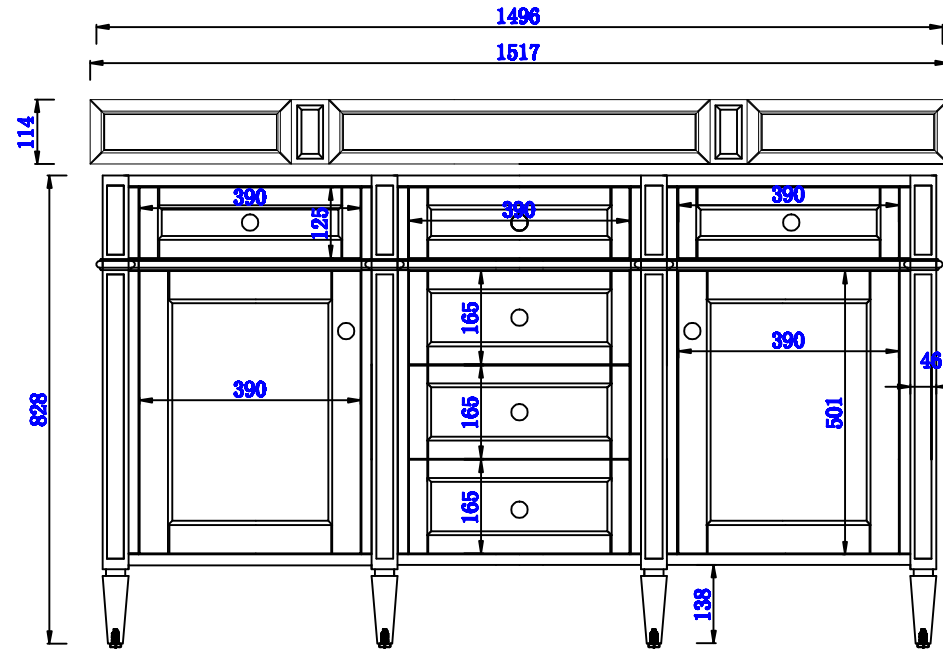
JAMES MARTIN



VANITIES™

Brittany 1524mm Cabinet

Diagrams with Dimensions
page 01 of 03



NOTE ONE: Countertops are not shown in these diagrams. (Cabinet Only)

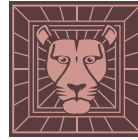
NOTE TWO: Wood Backsplash (Shown) is designed for the molding detail to align with sinks in James Martin's Optional Countertops. Customers' own countertops and sinks may align differently.

Please consult our website for Countertop Diagrams: www.jamesmartinvanities.com

Item Number:

- 650-V60D-BKO
- 650-V60D-BNM
- 650-V60D-CWH
- 650-V60D-UGR
- 650-V60D-VBL

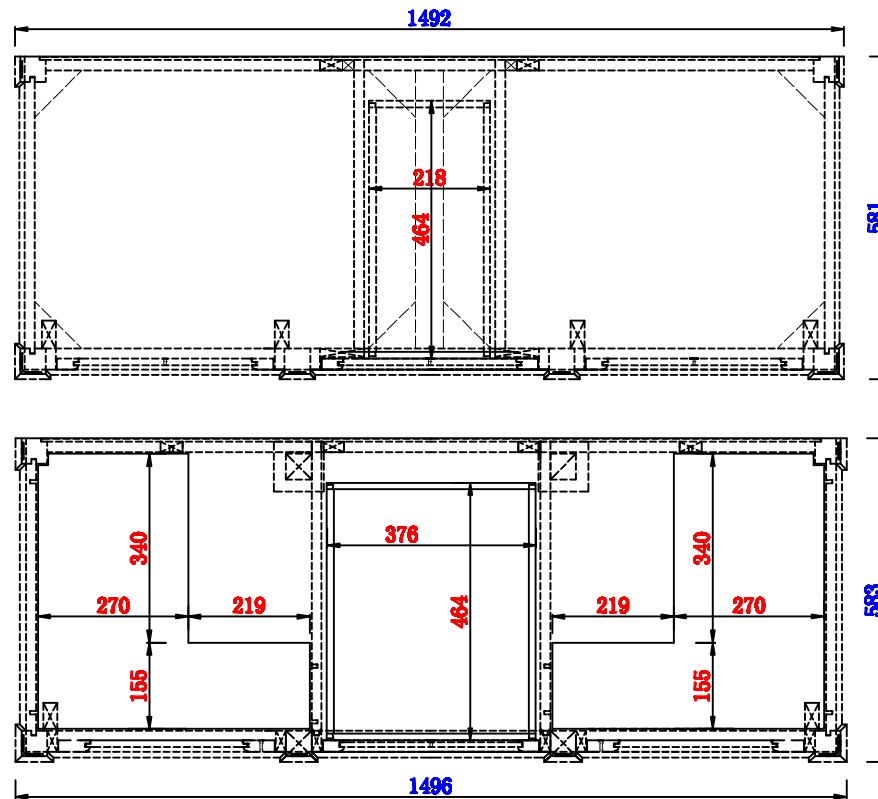
JAMES MARTIN



VANITIES™

Brittany 1524mm Cabinet

Diagrams with Dimensions
page 02 of 03



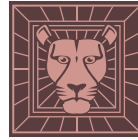
NOTE ONE: Countertops are not shown in these diagrams. (Cabinet Only)

NOTE TWO: Internal Shelves (Shown) are designed to align with sinks in James Martin's Optional Countertops. Customers' own countertops and sinks may align differently, and modification may be required. Please consult our website for Countertop Diagrams: www.jamesmartinvanities.com

Item Number:

- 650-V60D-BKO
- 650-V60D-BNM
- 650-V60D-CWH
- 650-V60D-UGR
- 650-V60D-VBL

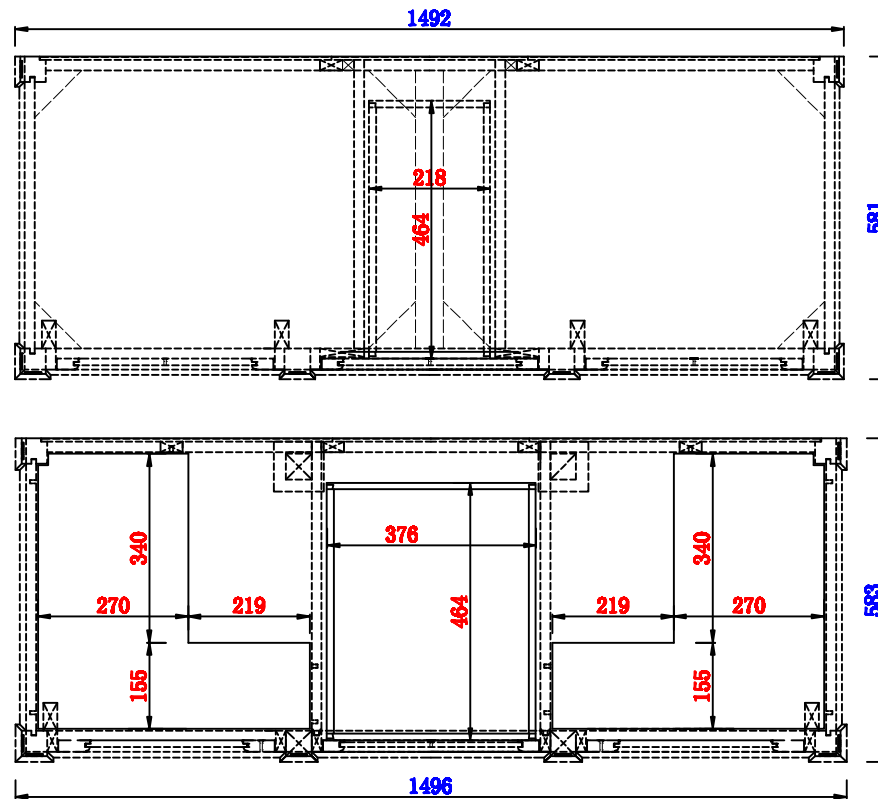
JAMES MARTIN



VANITIES™

Brittany 1524mm Cabinet

Diagrams with Dimensions
page 02 of 03



NOTE ONE: Countertops are not shown in these diagrams. (Cabinet Only)

NOTE TWO: Internal Shelves (Shown) are designed to align with sinks in James Martin's Optional Countertops. Customers' own countertops and sinks may align differently, and modification may be required. Please consult our website for Countertop Diagrams: www.jamesmartinvanities.com