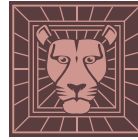


48"

Item Number:

- 650-V48-BKO
- 650-V48-BNM
- 650-V48-CWH
- 650-V48-UGR
- 650-V48-VBL

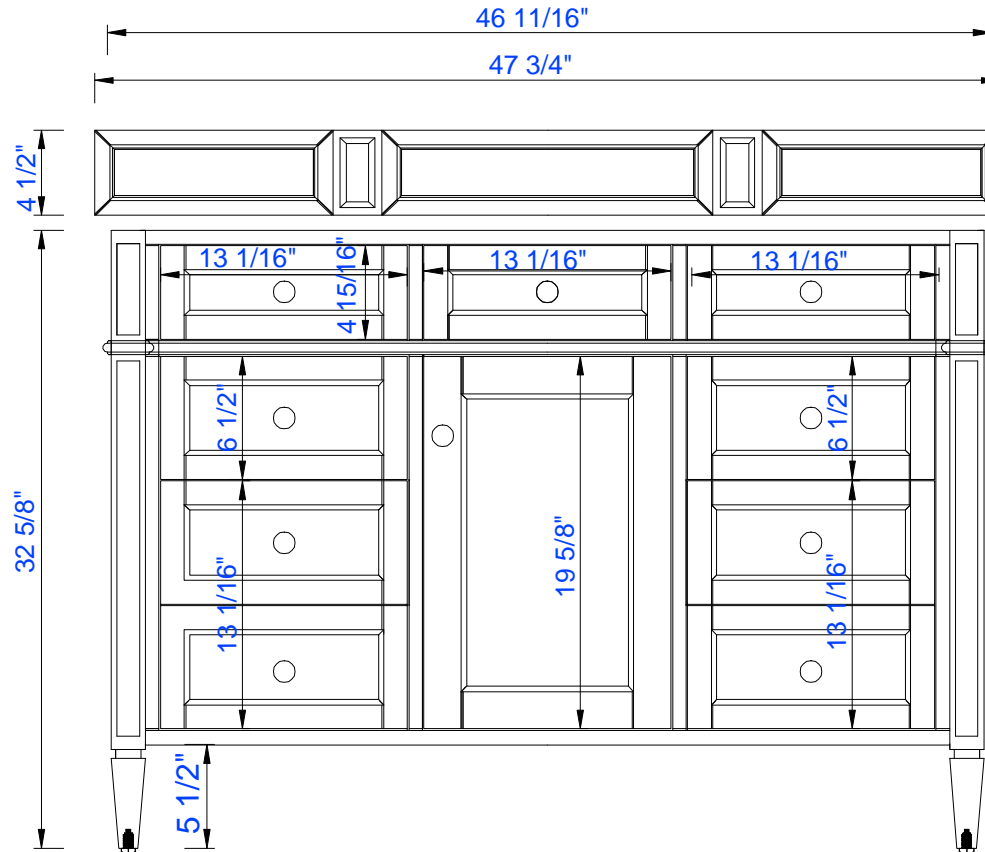
JAMES MARTIN



VANITIES™

Brittany 48" Cabinet

Diagrams with Dimensions
page 01 of 03



NOTE ONE: Countertops are not shown in these diagrams. (Cabinet Only)

NOTE TWO: Wood Backsplash (Shown) is designed for the molding detail to align with sinks in James Martin's Optional Countertops. Customers' own countertops and sinks may align differently.

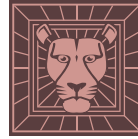
Please consult our website for Countertop Diagrams: www.jamesmartinvanities.com

48"

Item Number:

- 650-V48-BKO
- 650-V48-BNM
- 650-V48-CWH
- 650-V48-UGR
- 650-V48-VBL

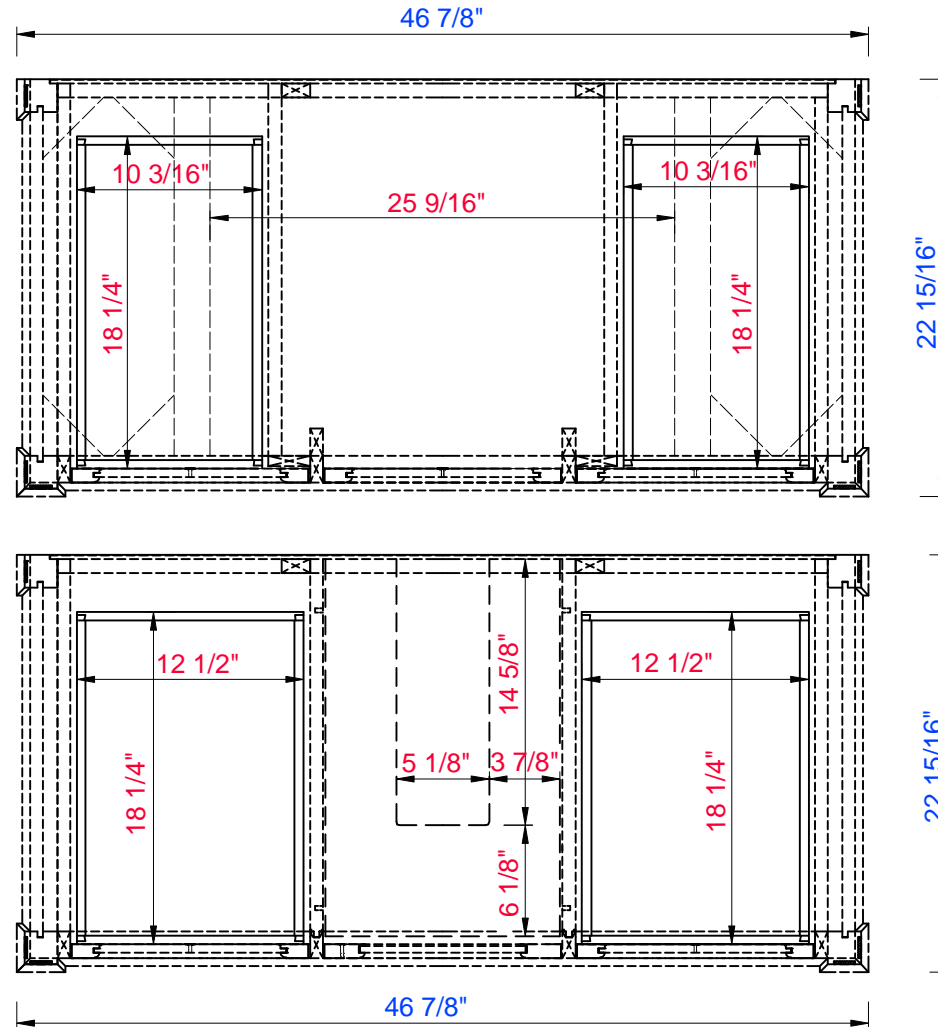
JAMES MARTIN



VANITIES™

Brittany 48" Cabinet

Diagrams with Dimensions
page 02 of 03



NOTE ONE: Countertops are not shown in these diagrams. (Cabinet Only)

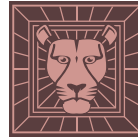
NOTE TWO: Internal Shelves (Shown) are designed to align with sinks in James Martin's Optional Countertops. Customers' own countertops and sinks may align differently, and modification may be required. Please consult our website for Countertop Diagrams: www.jamesmartinvanities.com

48"

Item Number:

- 650-V48-BKO
- 650-V48-BNM
- 650-V48-CWH
- 650-V48-UGR
- 650-V48-VBL

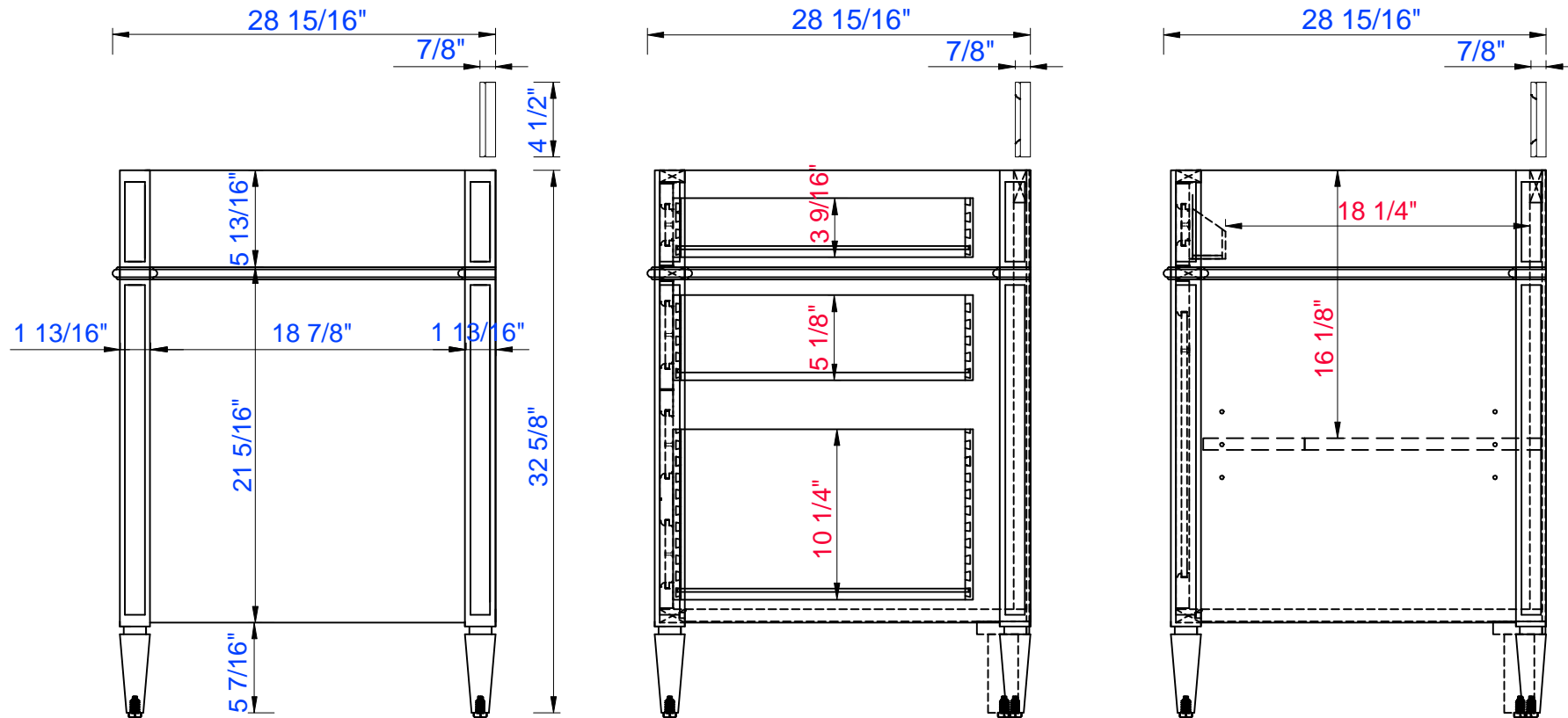
JAMES MARTIN



VANITIES™

Brittany 48" Cabinet

Diagrams with Dimensions
page 03 of 03



NOTE ONE: Countertops are not shown in these diagrams. (Cabinet Only)

NOTE TWO: Wood Backsplash (Shown) is designed for the molding detail to align with sinks in James Martin's Optional Countertops.

Customers' own countertops and sinks may align differently.

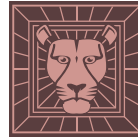
Please consult our website for Countertop Diagrams: www.jamesmartinvanities.com

1219mm

Item Number:

- 650-V48-BKO
- 650-V48-BNM
- 650-V48-CWH
- 650-V48-UGR
- 650-V48-VBL

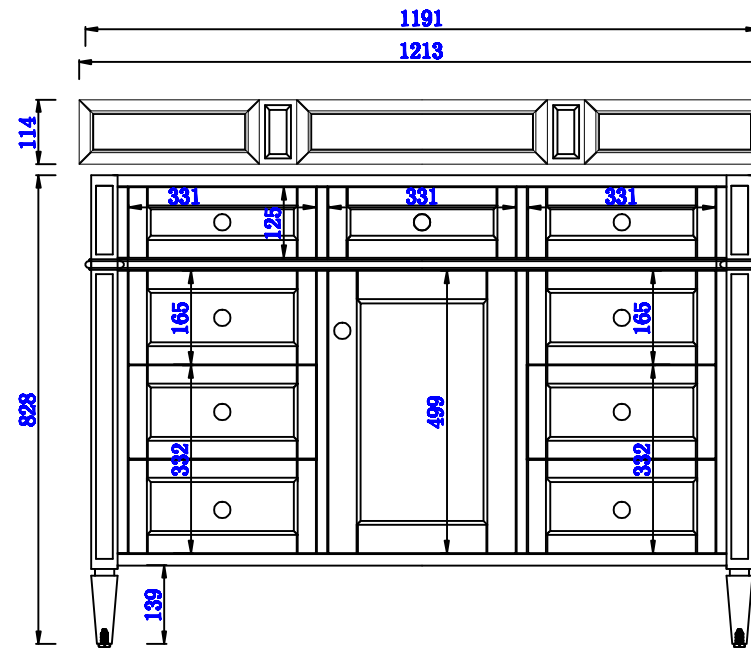
JAMES MARTIN



VANITIES™

Brittany 1219mm Cabinet

Diagrams with Dimensions
page 01 of 03



NOTE ONE: Countertops are not shown in these diagrams. (Cabinet Only)

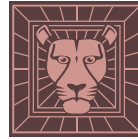
NOTE TWO: Wood Backsplash (Shown) is designed for the molding detail to align with sinks in James Martin's Optional Countertops. Customers' own countertops and sinks may align differently.

Please consult our website for Countertop Diagrams: www.jamesmartinvanities.com

Item Number:

- 650-V48-BKO
- 650-V48-BNM
- 650-V48-CWH
- 650-V48-UGR
- 650-V48-VBL

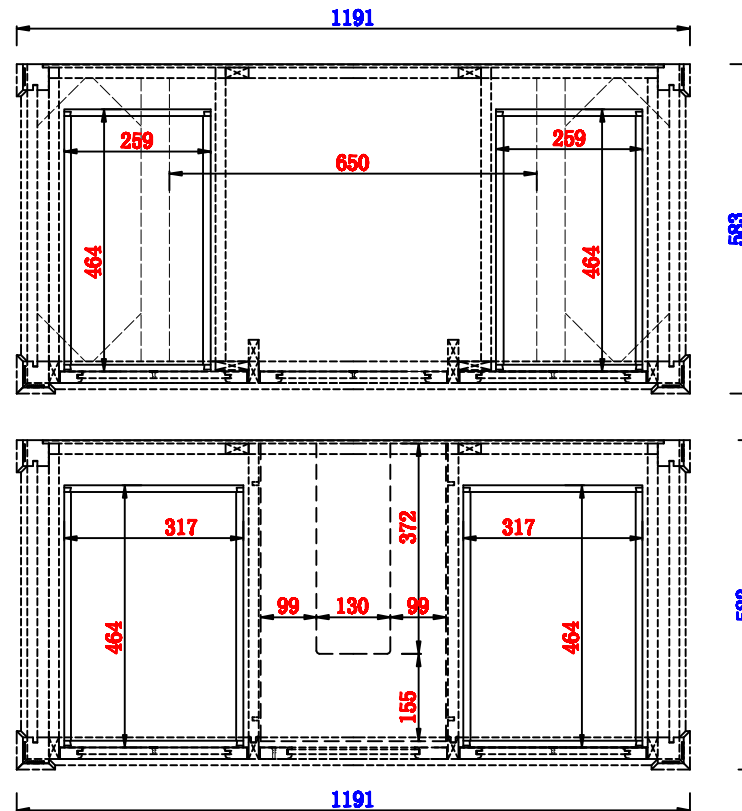
JAMES MARTIN



VANITIES™

Brittany 1219mm Cabinet

Diagrams with Dimensions
page 02 of 03



NOTE ONE: Countertops are not shown in these diagrams. (Cabinet Only)

NOTE TWO: Internal Shelves (Shown) are designed to align with sinks in James Martin's Optional Countertops. Customers' own countertops and sinks may align differently, and modification may be required. Please consult our website for Countertop Diagrams: www.jamesmartinvanities.com

1219mm

Item Number:

- 650-V48-BKO
- 650-V48-BNM
- 650-V48-CWH
- 650-V48-UGR
- 650-V48-VBL

JAMES MARTIN

VANITIES™

Brittany 1219mm Cabinet

Diagrams with Dimensions
page 03 of 03

NOTE ONE: Countertops are not shown in these diagrams. (Cabinet Only)

NOTE TWO: Wood Backsplash (Shown) is designed for the molding detail to align with sinks in James Martin's Optional Countertops. Customers' own countertops and sinks may align differently.

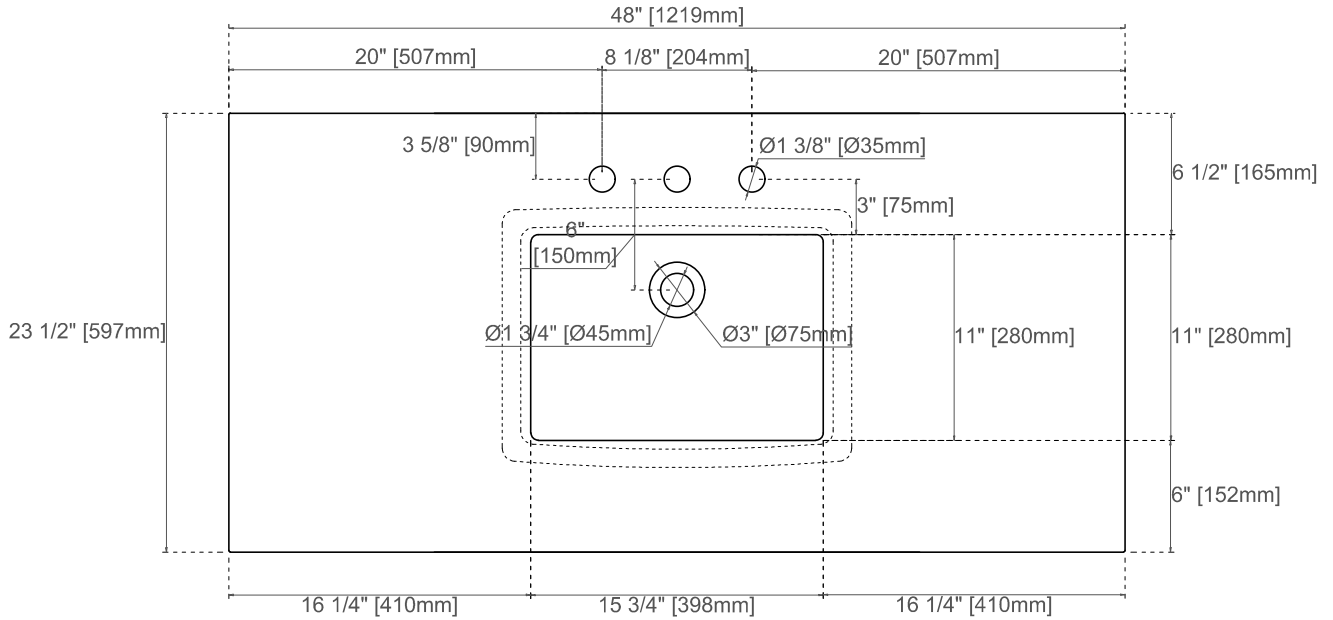
Please consult our website for Countertop Diagrams: www.jamesmartinvanities.com

Version: 201906

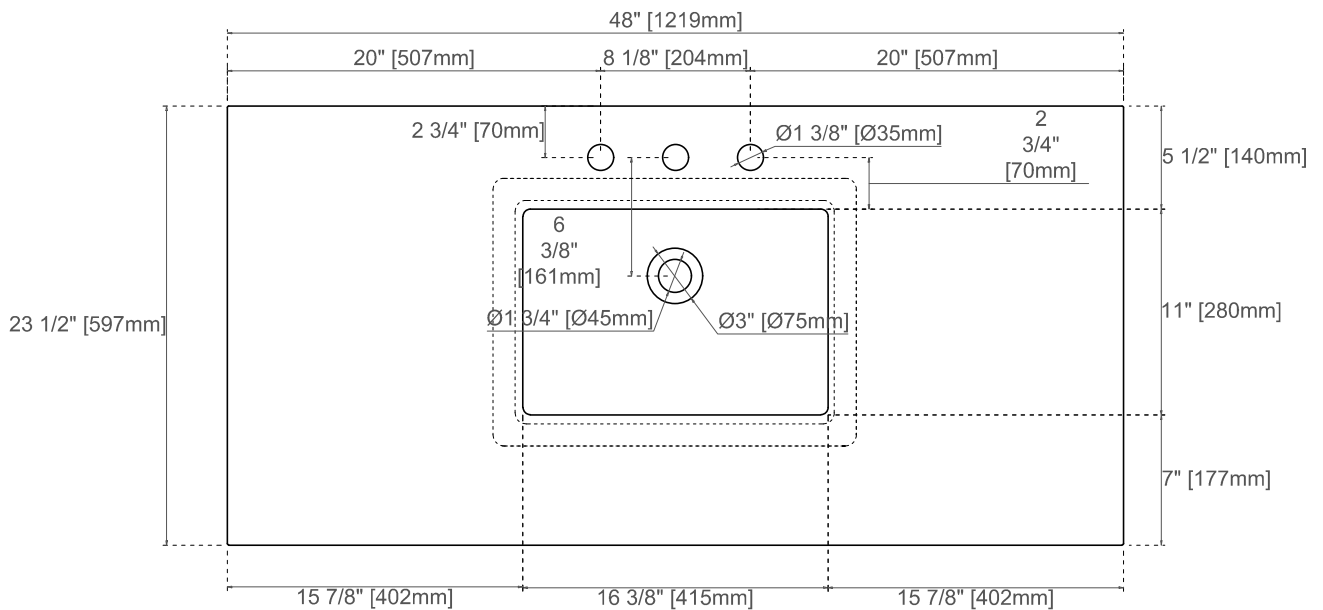
48" 3cm COUNTERTOPS
 050-S48
 080-S48
 090-S48

JAMES MARTIN
 VANITIES™

080,090 Sereis Tops



050 Quartz Sereis Tops



Visit website for warranty and installation information
www.jamesmartinvanities.com

Version:202301