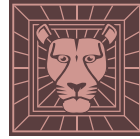


36"

Item Number:

- 650-V36-BKO
- 650-V36-BNM
- 650-V36-CWH
- 650-V36-UGR
- 650-V36-VBL

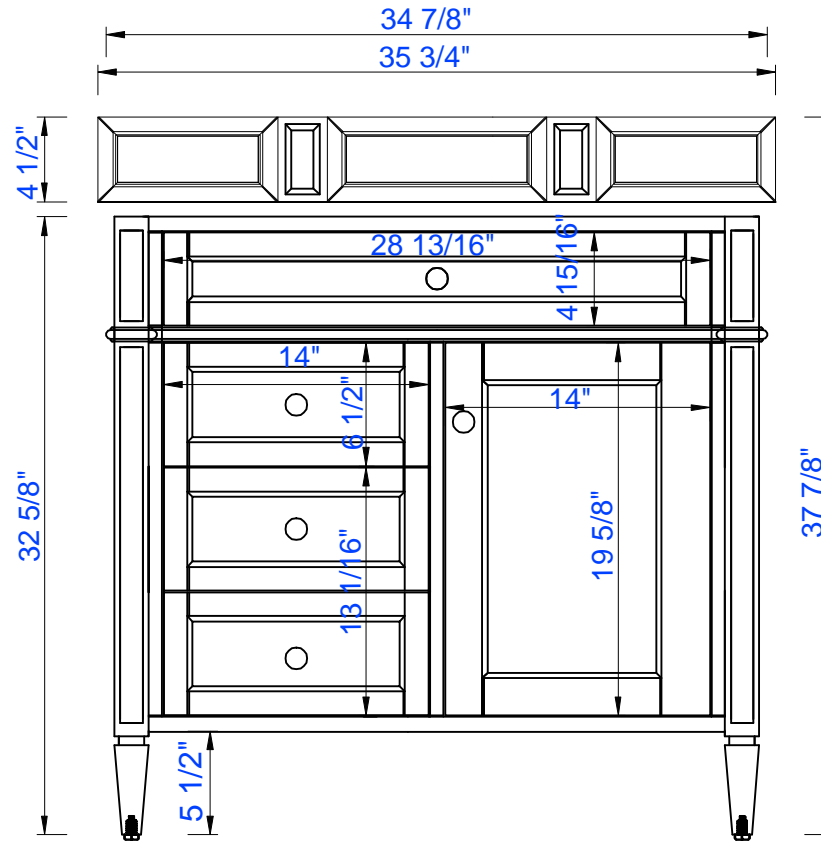
JAMES MARTIN



VANITIES™

Brittany 36" Cabinet

Diagrams with Dimensions  
page 01 of 03



NOTE ONE: Countertops are not shown in these diagrams. (Cabinet Only)

NOTE TWO: Wood Backsplash (Shown) is designed for the molding detail to align with sinks in James Martin's Optional Countertops.

Customers' own countertops and sinks may align differently.

Please consult our website for Countertop Diagrams: [www.jamesmartinvanities.com](http://www.jamesmartinvanities.com)

36"

Item Number:

- 650-V36-BKO
- 650-V36-BNM
- 650-V36-CWH
- 650-V36-UGR
- 650-V36-VBL

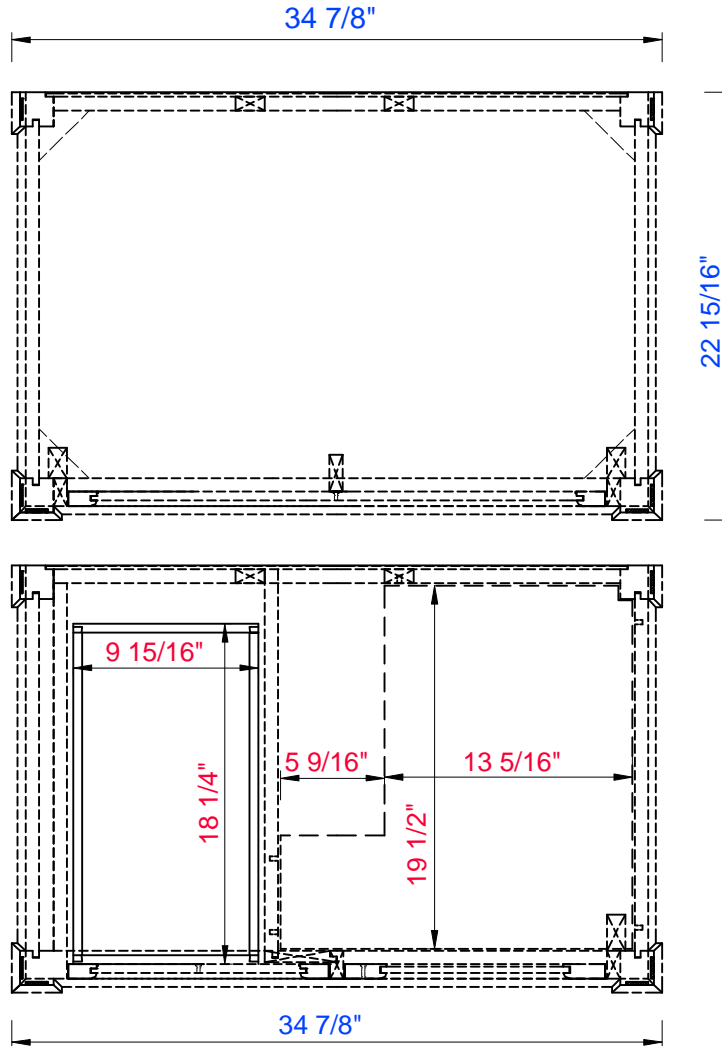
JAMES MARTIN



VANITIES™

Brittany 36" Cabinet

Diagrams with Dimensions  
page 02 of 03



NOTE ONE: Countertops are not shown in these diagrams. (Cabinet Only)

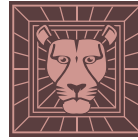
NOTE TWO: Internal Shelves (Shown) are designed to align with sinks in James Martin's Optional Countertops.  
 Customers' own countertops and sinks may align differently, and modification may be required.  
 Please consult our website for Countertop Diagrams: [www.jamesmartinvanities.com](http://www.jamesmartinvanities.com)

36"

Item Number:

- 650-V36-BKO
- 650-V36-BNM
- 650-V36-CWH
- 650-V36-UGR
- 650-V36-VBL

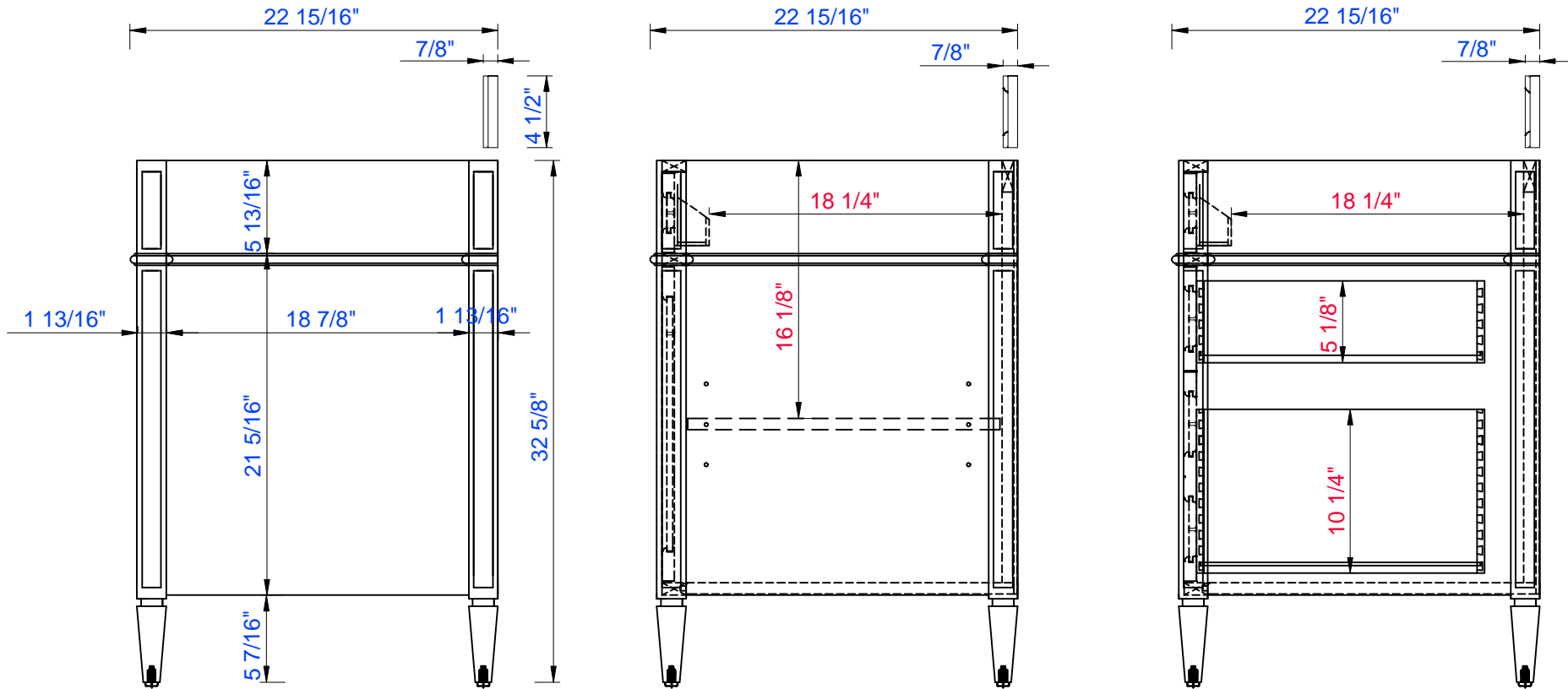
JAMES MARTIN



VANITIES™

Brittany 36" Cabinet

Diagrams with Dimensions  
page 03 of 03



NOTE ONE: Countertops are not shown in these diagrams. (Cabinet Only)

NOTE TWO: Wood Backsplash (Shown) is designed for the molding detail to align with sinks in James Martin's Optional Countertops. Customers' own countertops and sinks may align differently.

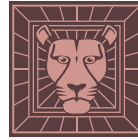
Please consult our website for Countertop Diagrams: [www.jamesmartinvanities.com](http://www.jamesmartinvanities.com)

914mm

Item Number:

- 650-V36-BKO
- 650-V36-BNM
- 650-V36-CWH
- 650-V36-UGR
- 650-V36-VBL

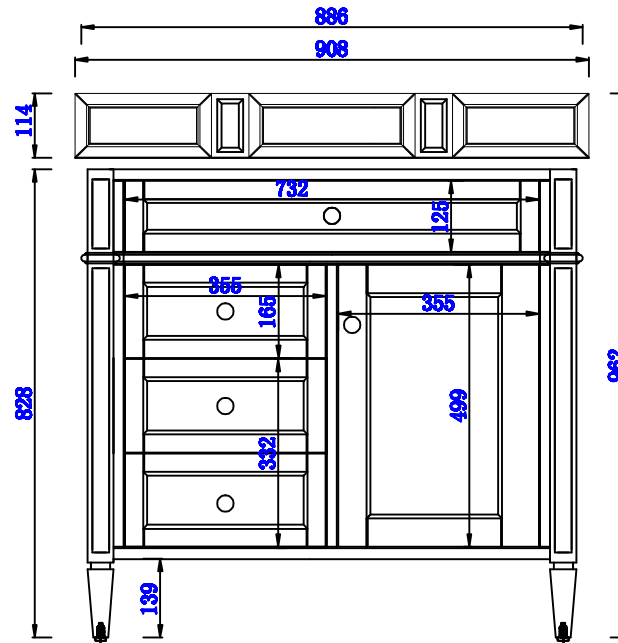
JAMES MARTIN



VANITIES™

**Brittany 914mm Cabinet**

Diagrams with Dimensions  
page 01 of 03



NOTE ONE: Countertops are not shown in these diagrams. (Cabinet Only)

NOTE TWO: Wood Backsplash (Shown) is designed for the molding detail to align with sinks in James Martin's Optional Countertops. Customers' own countertops and sinks may align differently.

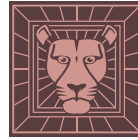
Please consult our website for Countertop Diagrams: [www.jamesmartinvanities.com](http://www.jamesmartinvanities.com)

914mm

Item Number:

- 650-V36-BKO
- 650-V36-BNM
- 650-V36-CWH
- 650-V36-UGR
- 650-V36-VBL

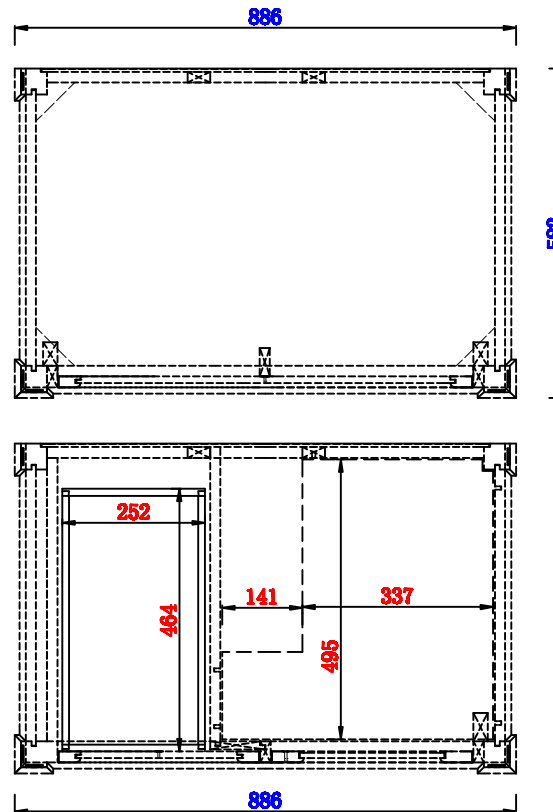
JAMES MARTIN



VANITIES™

Brittany 914mm Cabinet

Diagrams with Dimensions  
page 02 of 03



NOTE ONE: Countertops are not shown in these diagrams. (Cabinet Only)

NOTE TWO: Internal Shelves (Shown) are designed to align with sinks in James Martin's Optional Countertops. Customers' own countertops and sinks may align differently, and modification may be required. Please consult our website for Countertop Diagrams: [www.jamesmartinvanities.com](http://www.jamesmartinvanities.com)

**914mm**

Item Number:

- 650-V36-BKO
- 650-V36-BNM
- 650-V36-CWH
- 650-V36-UGR
- 650-V36-VBL

JAMES MARTIN

VANITIES™

**Brittany 914mm Cabinet**

Diagrams with Dimensions  
page 03 of 03

The diagram consists of three views of the cabinet:
 

- Front View (Left):** Shows a total width of 583mm and a total height of 828mm. The countertop area is 148mm high. The main cabinet body is 480mm wide and 542mm high. The base has a height of 138mm. The side panels are 46mm thick.
- Side View (Middle):** Shows a depth of 464mm and a total height of 409mm from the top of the cabinet to the base.
- Back View (Right):** Shows a depth of 464mm and a total height of 260mm from the top of the cabinet to the base.

NOTE ONE: Countertops are not shown in these diagrams. (Cabinet Only)

NOTE TWO: Wood Backsplash (Shown) is designed for the molding detail to align with sinks in James Martin's Optional Countertops.

Customers' own countertops and sinks may align differently.

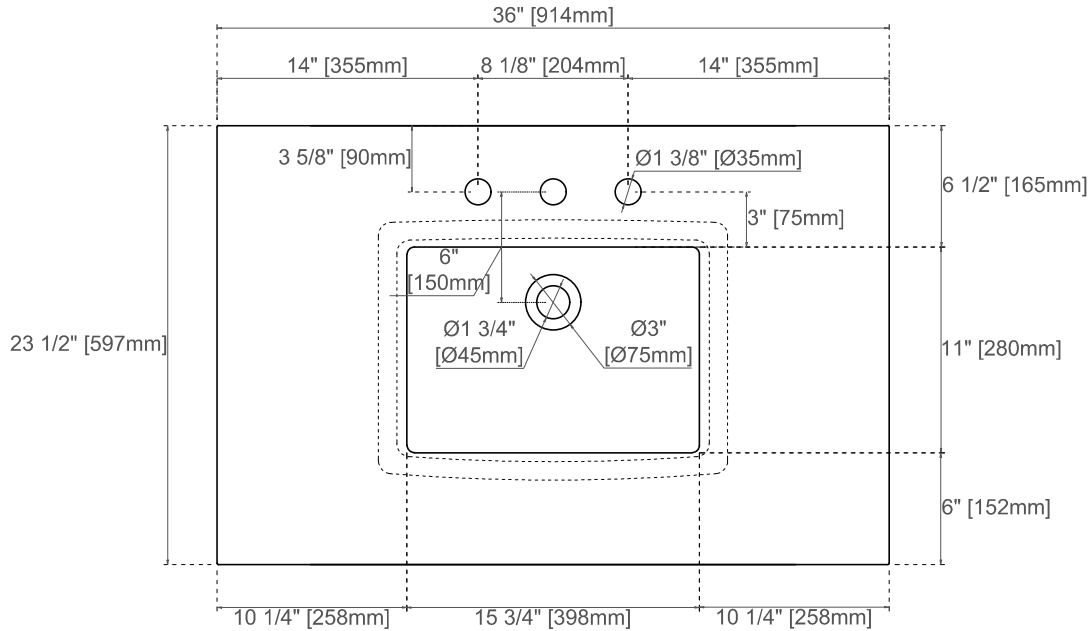
Please consult our website for Countertop Diagrams: [www.jamesmartinvanities.com](http://www.jamesmartinvanities.com)

Version: 201906

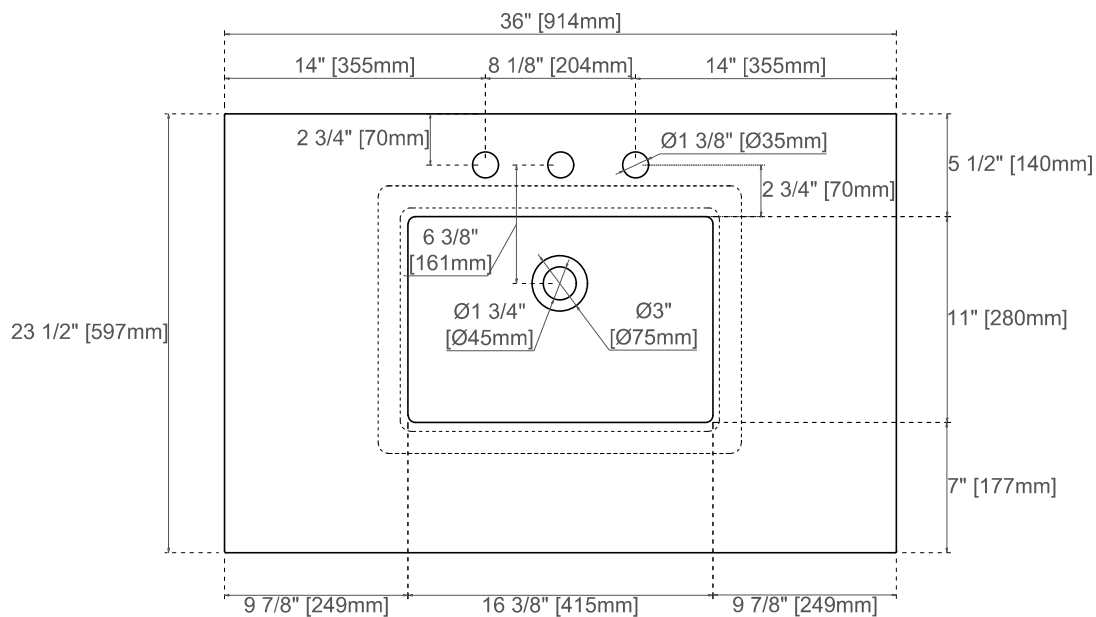
36" 3cm COUNTERTOPS  
050-S36  
080-S36  
090-S36

**JAMES MARTIN**  
VANITIES™

080,090 Sereis Tops



050 Quartz Sereis Tops



Visit website for warranty and installation information  
[www.jamesmartinvanities.com](http://www.jamesmartinvanities.com)

Version:202301