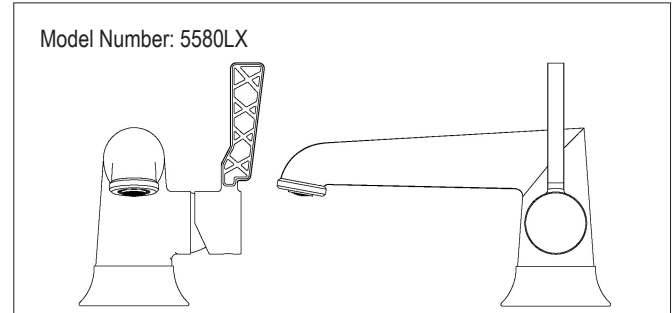
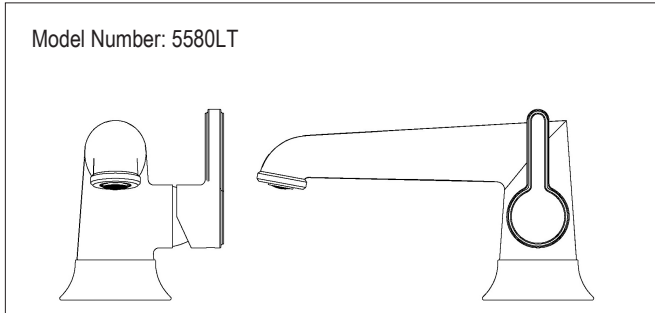


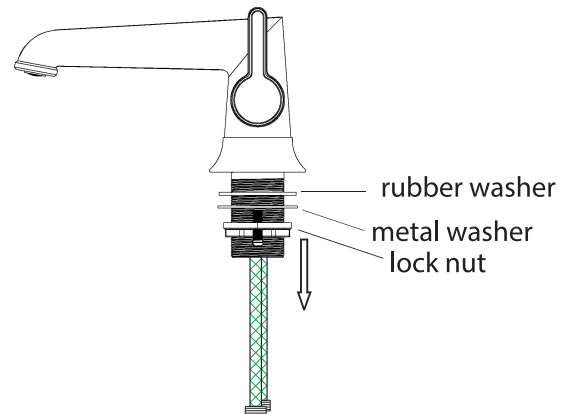
*Please read the instructions completely before beginning the installation.*



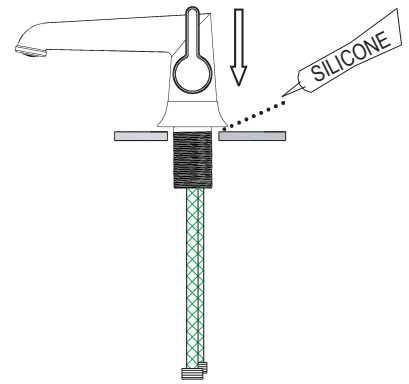
Flush both supply lines before installation, then shut off both supply lines.  
Minimum hole size for the spout and handle trim is 1-1/4" and maximum of 1-1/2"

## SPOUT INSTALLATION

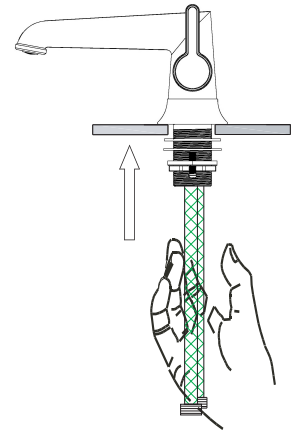
- 1 Remove lock nut, metal washer and rubber washer from spout assembly.



- 2** Apply a ring of silicone caulking around hole designated for spout. **DO NOT USE PLUMBERS' PUTTY WHICH CAN DAMAGE FINISH.** Insert faucet assembly through hole in sink or counter top, being sure to center faucet in hole.



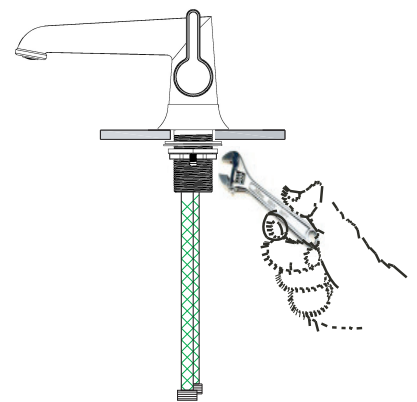
- 3** Reinstall rubber washer and metal washer from below. Hand tighten lock nut from below while aligning fixture.



- 4** Secure fixture below by using either an adjustable wrench, basin wrench, or deep socket to the lock nut. Wipe away excess silicone with a wet finger or damp cloth. Connect flexible hoses to their respective water supplies.

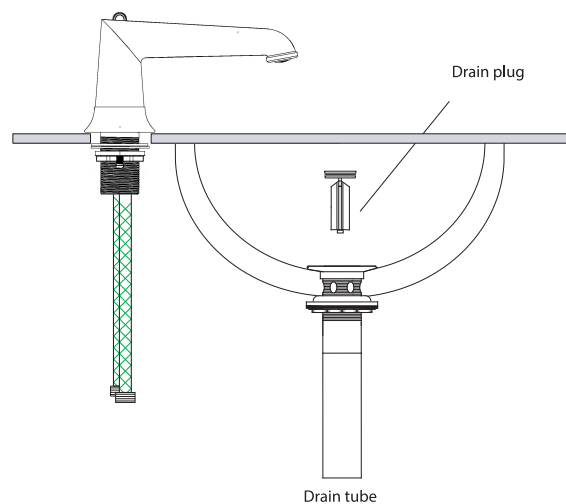
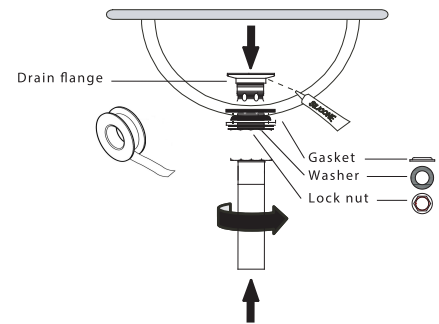
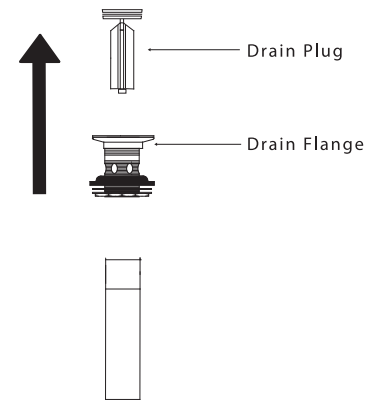
**NOTE: FLUSH THE LINES**

Debris in the line will damage fixture and cause leaking. Failure to flush fixture could result in voiding the warranty. After all the connections have been made to the inlet supplies, remove the aerator. Open both hot and cold valve. Slowly open the handle lever and flush the lines for approximately 45 seconds. Turn off the water and reinsert aerator.



## POP-UP INSTALLATION

- 1 Remove the drain plug and gasket from push pop-up assembly. remove the washer, lock nut and un-thread bottom drain tube.
- 2 Insert flange on the drain hole up through bottom of lavatory. add silicon sealant/putty around the flange. Secure by adding rubber washer, gasket, plastic washer and lock nut.
- 3 Insert the threaded end of the assembly up from the under the sink so that the drain tube is firmly attached to the drain plug.. Make sure to add plumber tape before threading the drain tube.
- 4 Make sure the thread of drain flange and bottom of the drain tube are tighten. If not it may cause water leaks. add tape or tighten the locknut from under the sink.
- 5 Test the push pop-up for smooth operation. to open push pop-up simply push once. Push again to close it.



The measurements shown are for reference only. Products and specifications shown are subject to change without notice.

www.santecfaucet.com | P: 310.542.0063 F: 310.542.5681