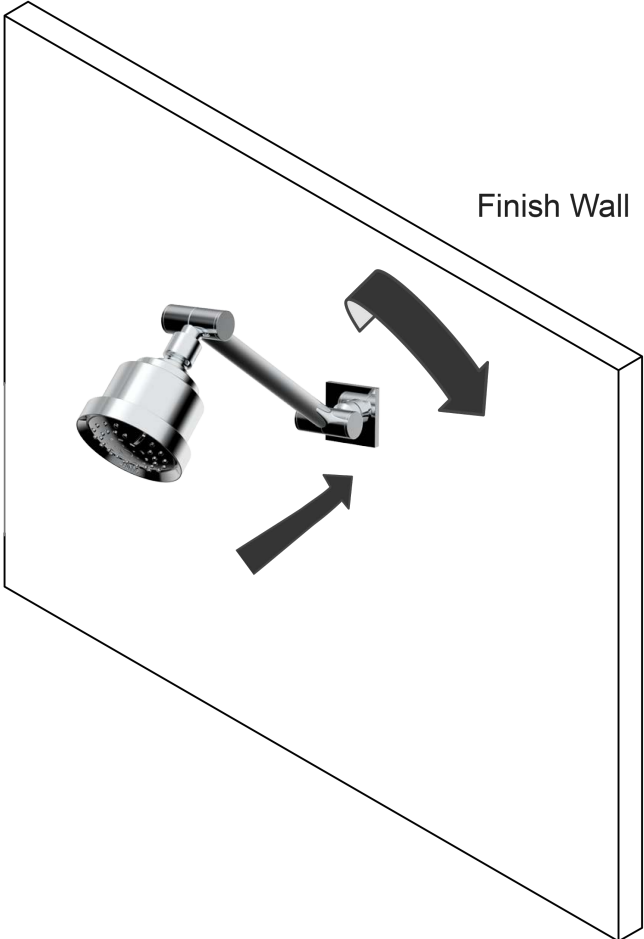


Installation Instructions

Adjustable shower arm and flange



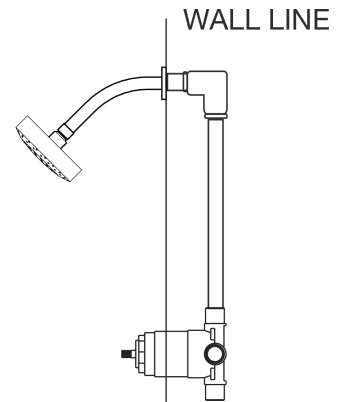
Insert screen washer (if applicable) between female threads and shower arm before threading onto arm.



Installation

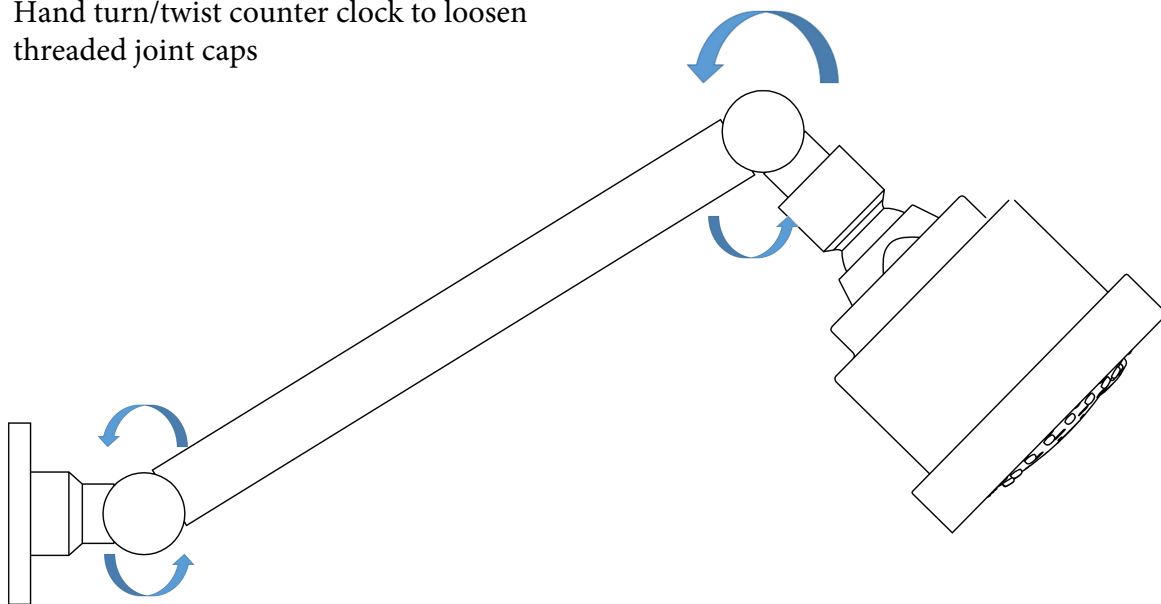
Wrap the pipe threading extending from the shower arm and flange with Teflon tape, then thread the shower into the wall until the shower head is facing downwards.

WARNING: Do not use excessive force when threading on the shower arm.



Adjusting shower arm if necessary:

Hand turn/twist counter clock to loosen threaded joint caps



Use hex key to Tighten Or Loosen the hex bolt to desired tension if necessary.

