

DogShower

Bundle 150, 3-Jet Select

Product Finish: **Sky Blue**

Part no. : **04974540**



Description

Features

- Consists of: Handshower, Handshower hose, quick connector, 3-way diverter, Garden adapter
- Shower head size: 5 7/8 inches
- Material: Plastic
- Spray modes: fur spray, leg spray, paw spray
- Spray type alternation: Select button for comfortable alternation of spray modes
- Flow: 1.75 GPM (6.6 L/Min)
- Elongated, brush-like nozzles (1,5 cm) for thorough cleaning with massage effect
- ergonomic design
- Water Boost: boost function to increase waterflow when needed
- Integrated double backflow prevention
- Connection thread: 1/2" NPT
- Connection dimension: DN15
- Suitable for continuous flow water heaters
- Rinseable screen seal

Item details

List Price \$ 220.00

Technology

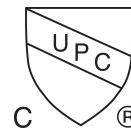


Design awards



reddot winner 2022

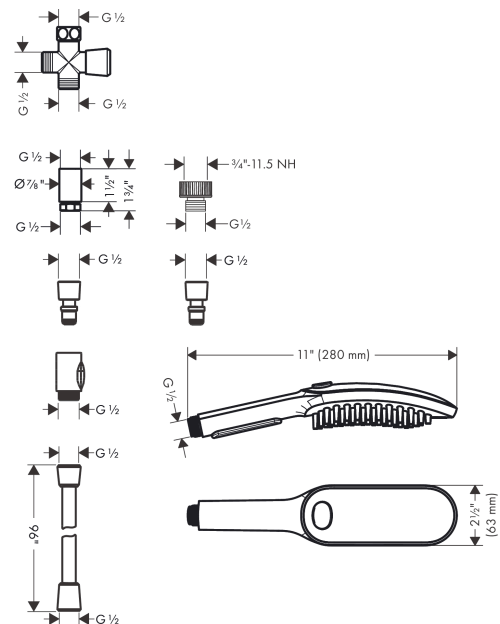
Compliance



Product image



Scale drawing



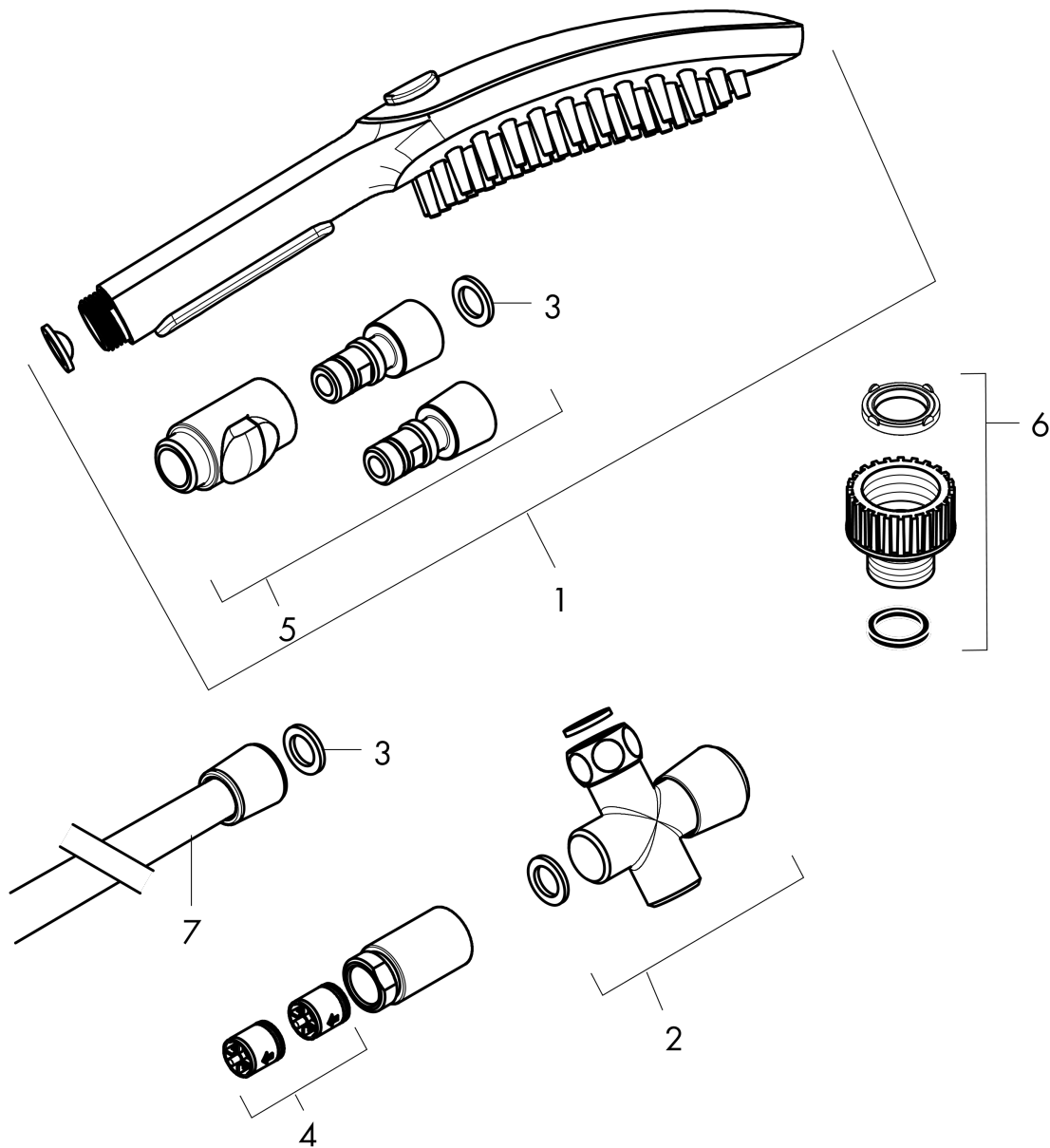
DogShower
Bundle 150, 3-Jet Select
 Product Finish: **Sky Blue**

Part no. : **04974540**



Exploded drawing

Year of production: >03/22



DogShower
Bundle 150, 3-Jet Select
 Product Finish: **Sky Blue**

Part no. : **04974540**



Spare parts list

Year of production: >**03/22**

Pos.	Description	Part no.	Price	PU
1	-	04973540	-	1
2	-	28719003	-	1
3	seal	98058000	-	1
4	set of non return valves DW 15	94074000	-	1
5	coupling set	28346000	-	1
6	set of adapters	94524000	-	1
7	shower hose	94525001	-	1