

DogShower
150, 3-Jet Select with Quick Connect
 Finishes : **Sky Blue** Part no. : **04973540**



Description

Features

- Consists of: Handshower, quick connector
- shower head size: 150 x 63 mm
- Spray modes: fur spray, leg spray, paw spray
- Select button for comfortable alternation of spray modes
- Flow: 1.75 GPM (6.6 L/Min)
- elongated, brush-like nozzles (1,5 cm) for thorough cleaning with massage effect
- ergonomic design
- Water Boost: boost function to increase waterflow when needed
- suitable for continous flow water heaters
- connection dimension: DN15
- rinseable screen seal
- Integrated double backflow prevention

Item details

List Price \$ 161.61

Technology



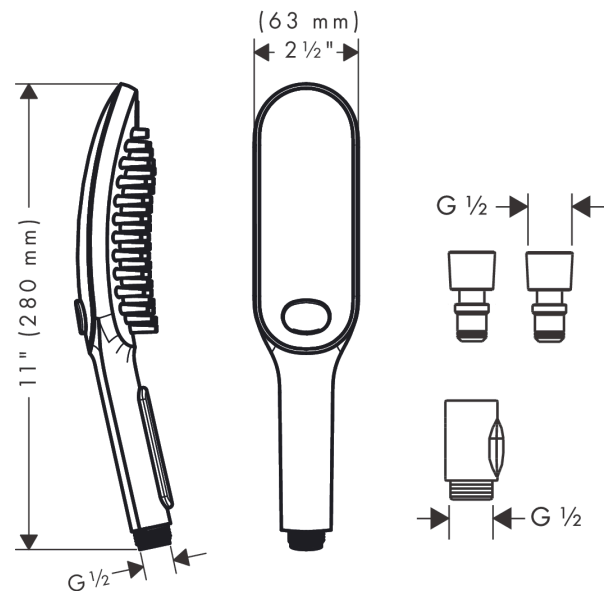
Compliance



Product image



Scale drawing

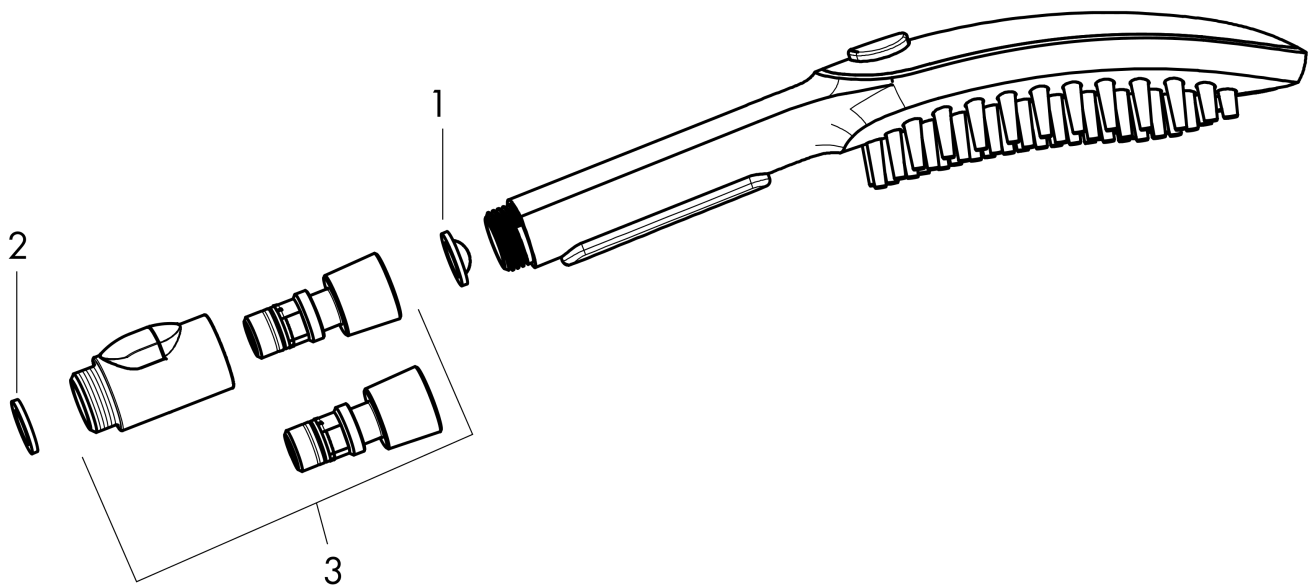


DogShower
150, 3-Jet Select with Quick Connect
Finishes : **Sky Blue** Part no. : **04973540**



Exploded drawing

Year of production: >03/22



DogShower
150, 3-Jet Select with Quick Connect
 Finishes : **Sky Blue** Part no. : **04973540**



Spare parts list

Year of production: >03/22

Pos.	Description	Part no.	Price	PU
1	filter packing	94246000	-	1
2	seal	98058000	-	1
3	coupling set	28346000	-	1