

**Base Plate for Single-Hole Kitchen Faucets, 10"**  
 Product Finish: **polished nickel** Part no. : **14019831**



**Description**

**Features**

- For concealing basin holes

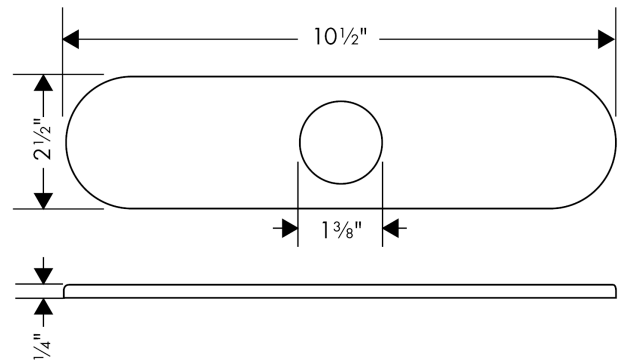
**Item details**

List Price \$ 127.00

**Product image**



**Scale drawing**

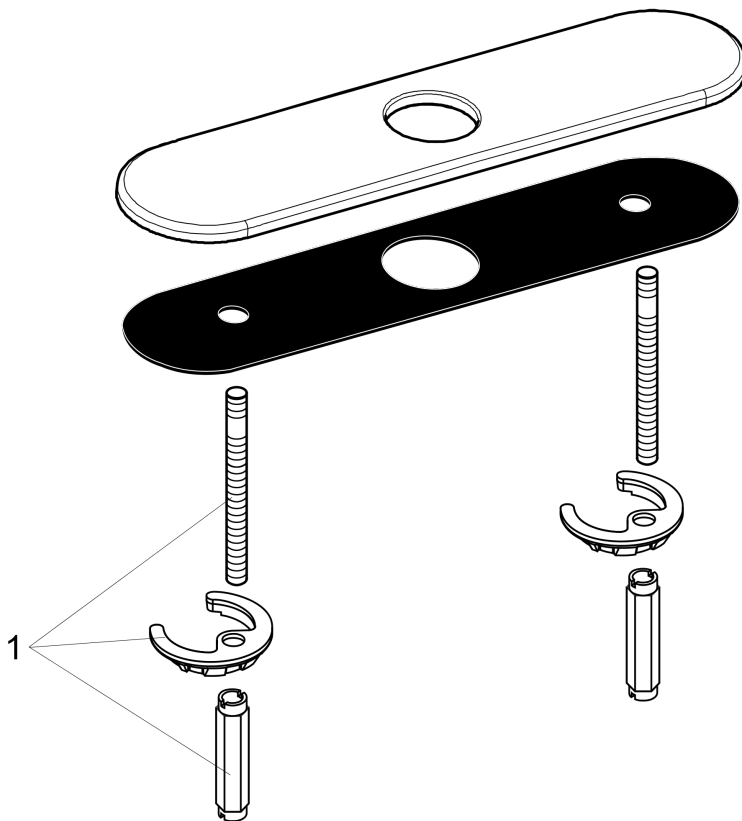


**Base Plate for Single-Hole Kitchen Faucets, 10"**  
 Product Finish: **polished nickel** Part no. : **14019831**



Exploded drawing

Year of production: >03/10



**Base Plate for Single-Hole Kitchen Faucets, 10"**  
 Product Finish: **polished nickel** Part no. : **14019831**



**Spare parts list**

Year of production: >**03/10**

<b>Pos.</b>	<b>Description</b>	<b>Part no.</b>	<b>Price</b>	<b>PU</b>
1	fixing set	88508000	-	1